
GLASS GATES

Every pool fence requires a stylish and safe glass gate. At BLITZ GLASS we offer an extensive range of glass gates in various widths that are complemented by our high-quality hinge and latch components.

(07) 5493 9779

WWW.BLITZGLASS.COM.AU

STANDARD GATE HINGES



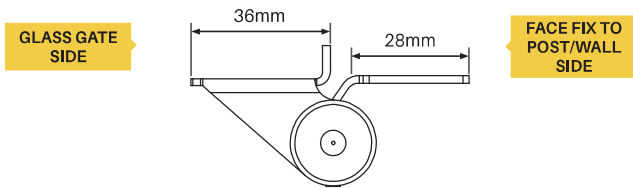
Face mount hinge set - Pair of 2

SS316

Polish or Black finish

Order Code: GH-G2G-P (Polish)
GH-G2G-B (Black)

- Suits face mount application - Use when hinging off the front face of a wall/post
- Cone cap incorporated to prevent toe hold
- Suits 8mm and 10mm glass gates
- Weight capacity of 25kg per pair



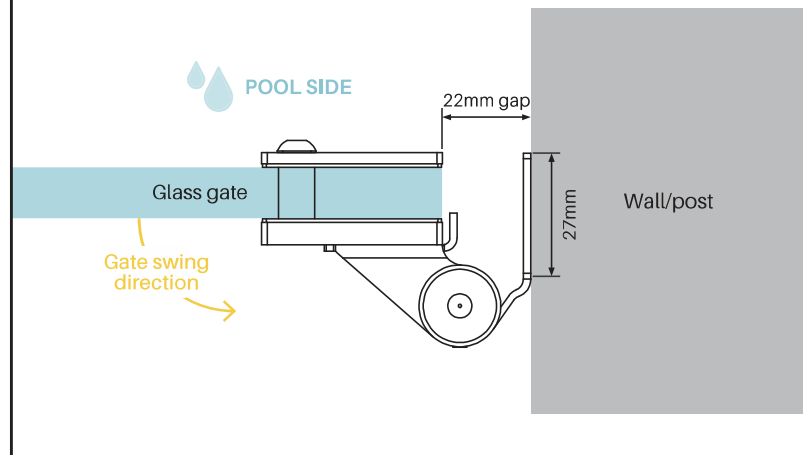
Wall/sq. post to glass hinge set - Pair of 2

SS316

Polish or satin finish

Order Code: GH-G2SP90-P (Polish)
GH-G2SP90-B (Black)

- Suits wall/sq. post to glass application
- Cone cap incorporated to prevent toe hold
- Suits 8mm and 10mm glass gates
- Weight capacity of 25kg per pair



Offset hinge set - Pair of 2

SS316 Polish Only

Order Code: GH-G2SPO-P (Polish)

- Suits face mount application
- Use when hinging off the front face of a post
- Offsets gate to middle of post
- Cone cap incorporated to prevent toe hold
- Suits 8mm and 10mm glass gates
- Weight capacity of 25kg per pair

MASTER RANGE HARDWARE



Glass to glass hinge set - Pair of 2

SS316

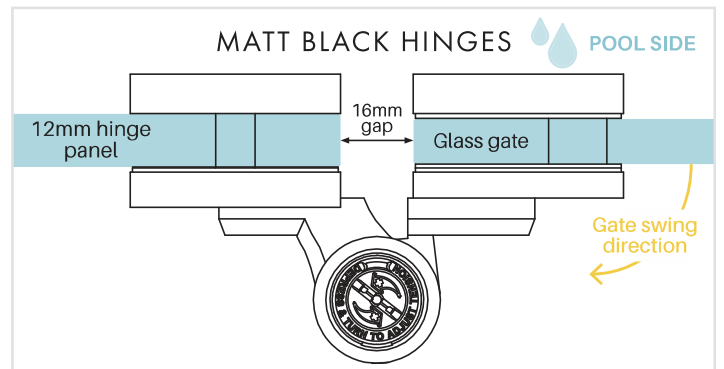
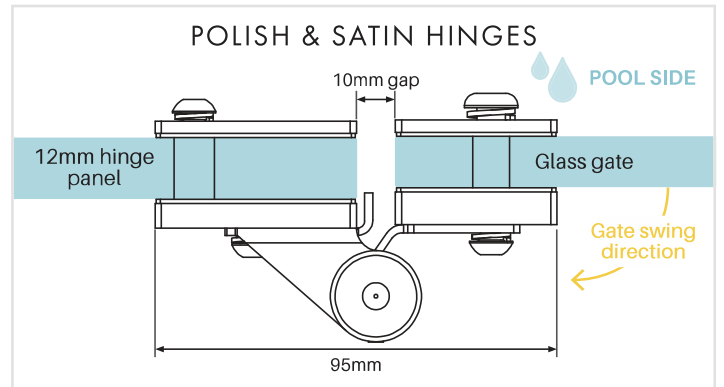
Polish, satin or matt black finish

Order Code: MR-GGH-P (Polish)

MR-GGH-S (Satin)

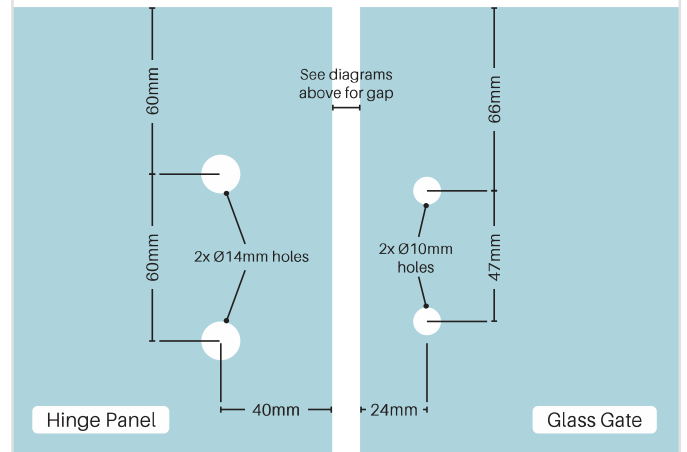
MR-GGH-B (Black)

- Stainless steel 316 backing plates for premium finish
- Suits glass to glass application
- Cone cap incorporated to prevent toe hold
- Suits 8mm and 10mm glass gates
- Weight capacity of 25kg per pair
- For black hinges - genuine D&D Tru-Close hinges affixed to powder coated matt black stainless steel backing plates



Gate hinge & hinge panel hole dimensions

Glass cut outs at top & bottom of panels



POLARIS SOFT CLOSE HINGES



Glass to glass hinge set 120 SERIES

SS2205

Polish, satin or matt black finish

Order Code: PSC-120GG-P (Polish)

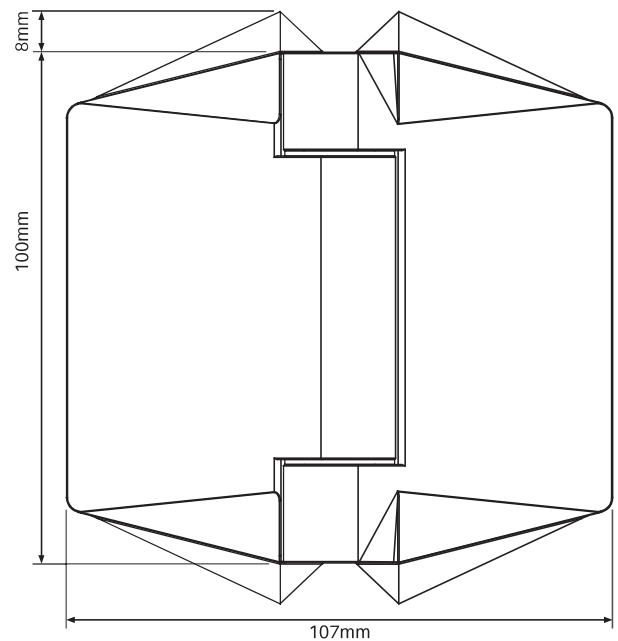
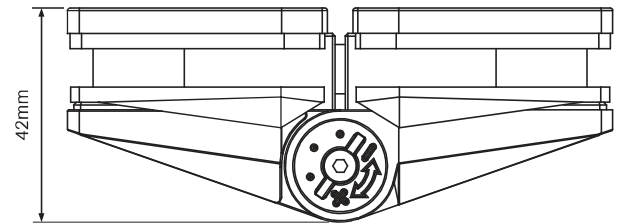
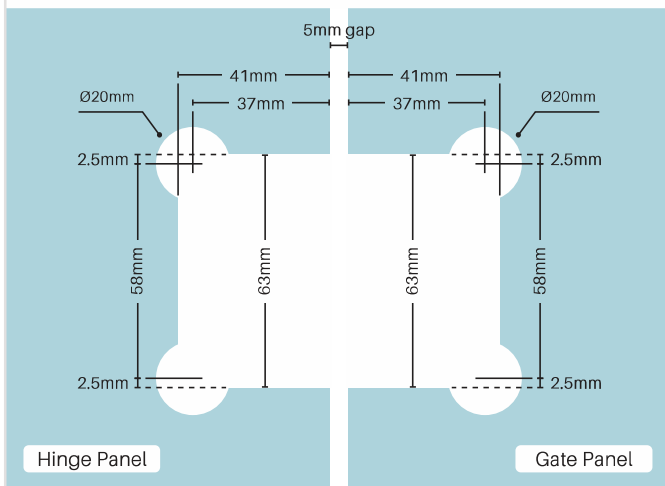
PSC-120GG-S (Satin)

PSC-120GG-B (Black)

- 2205 grade stainless steel
- Self closing pool fence compliant safety hinge
- Tested to cycle count Australian Standards requirements
- Adjustable closing speed with European dampeners providing a soft close action
- Cone cap incorporated on bottom hinge for anti-toe hold
- Suits 10 or 12mm thick glass gates (max 45kg)

Glass to glass hinge cut out specification

Glass cut outs at top & bottom of panels



NOTE: DRAWINGS ARE NOT TO SCALE

POLARIS SOFT CLOSE HINGES



Glass to wall hinge set 120 SERIES

SS2205

Polish, satin or matt black finish

Order Code: PSC-120W-P (Polish)

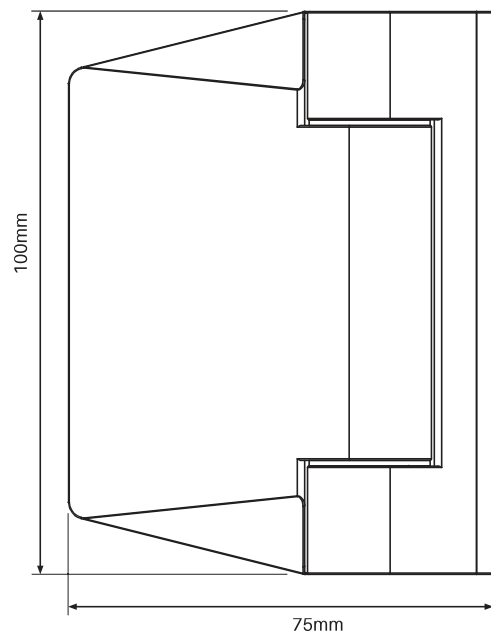
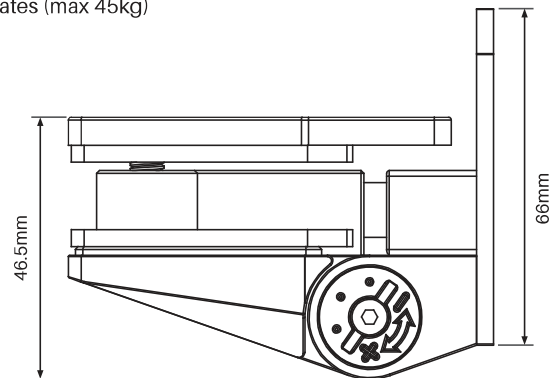
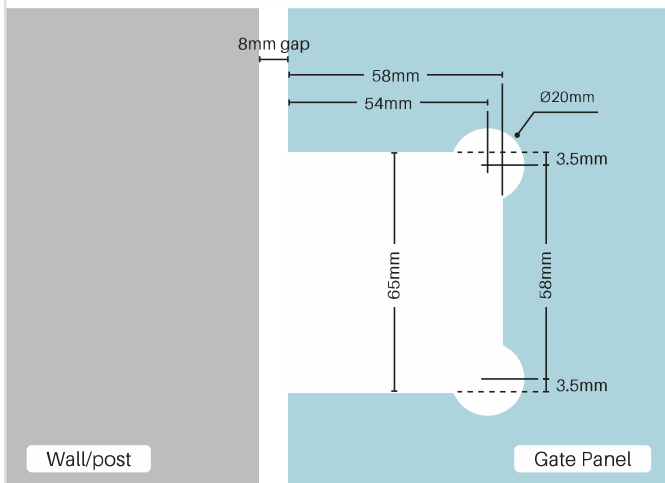
PSC-120W-S (Satin)

PSC-120W-B (Black)

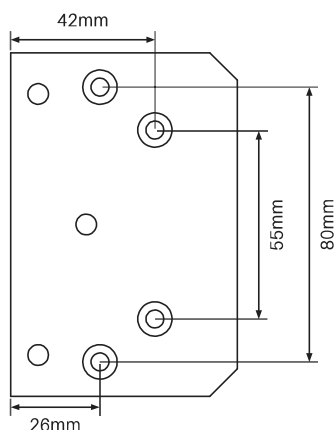
- 2205 grade stainless steel
- 4x fixing holes to wall/post
- Hinge can be installed while glass gate is in place
- Self closing pool fence compliant safety hinge
- Tested to cycle count Australian Standards requirements
- Adjustable closing speed with European dampeners providing a soft close action
- Cone cap incorporated on bottom hinge for anti-toe hold
- Suits 10 or 12mm thick glass gates (max 45kg)

Glass to wall hinge cut out specification

Glass cut outs at top & bottom of gate



Wall plate specification



4x fixing holes
to wall/post

NOTE: DRAWINGS ARE NOT TO SCALE

POLARIS SOFT CLOSE HINGES



Backing plates are sold separately! You must purchase glass to wall hinges as well as the square post backing plates. Simply unscrew and remove the existing wall plates and replace with the square post backing plates.

Glass to square post backing plates 120 SERIES

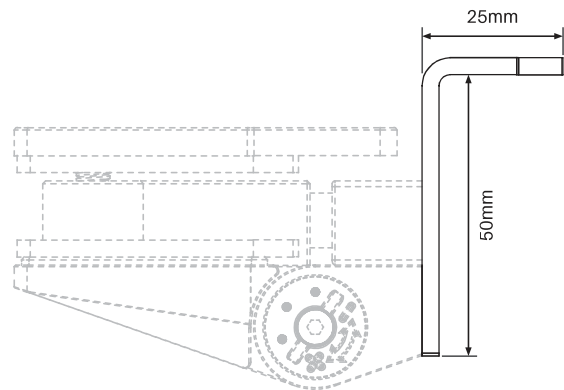
SS2205

Polish or satin finish (not available in matt black)

Order Code: **PSC-120PLATE-SP-P (Polish)**

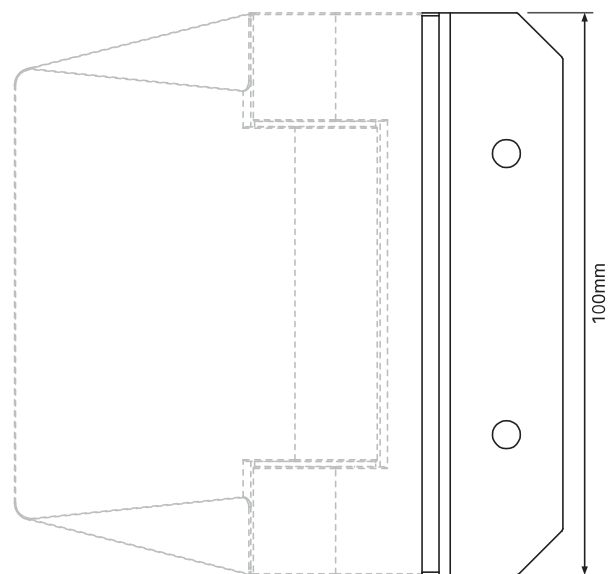
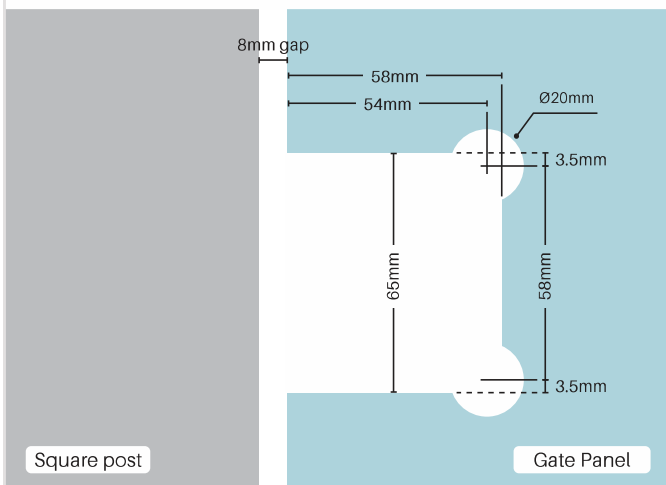
PSC-120PLATE-SP-S (Satin)

- 2205 grade stainless steel
- Backing plate suits a 50mm square post
- Hinge can be installed while glass gate is in place
- Self closing pool fence compliant safety hinge
- Tested to cycle count Australian Standards requirements
- Adjustable closing speed with European dampeners providing a soft close action
- Cone cap incorporated on bottom hinge for anti-toe hold
- Suits 10 or 12mm thick glass gates (max 45kg)



Square post hinge cut out specification

Glass cut outs at top & bottom of gate



PSC-120W & PSC-120PLATE-SP shown above

POLARIS SOFT CLOSE HINGES



Backing plates are sold separately! You must purchase glass to wall hinges as well as the round post backing plates. Simply unscrew and remove the existing wall plates and replace with the round post backing plates.

Glass to round post backing plates 120 SERIES

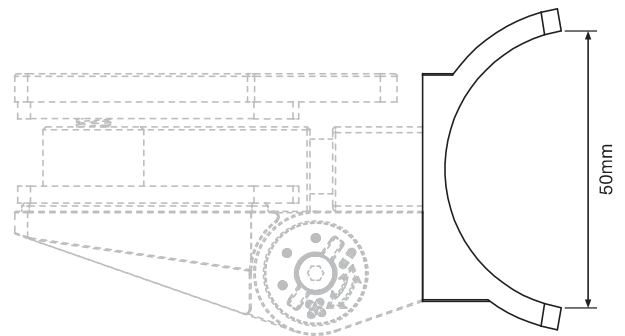
SS2205

Polish or satin finish (not available in matt black)

Order Code: **PSC-120PLATE-RP-P (Polish)**

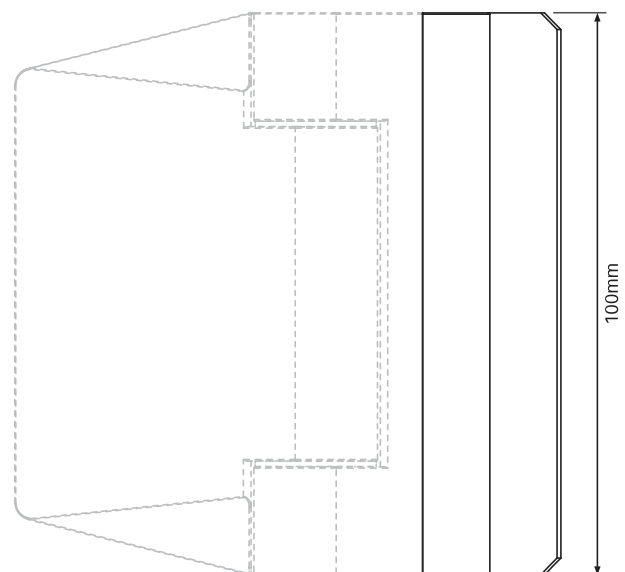
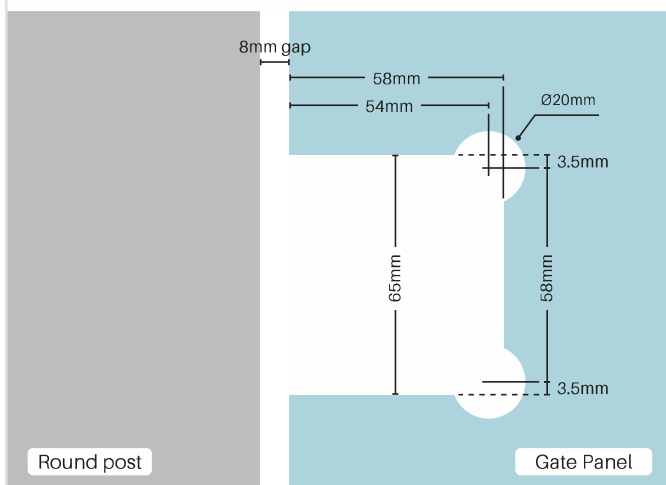
PSC-120PLATE-RP-S (Satin)

- 2205 grade stainless steel
- Backing plate suits a $\varnothing 50\text{mm}$ round post
- 2x fixing holes to post
- Hinge can be installed while glass gate is in place
- Self closing pool fence compliant safety hinge
- Tested to cycle count Australian Standards requirements
- Adjustable closing speed with European dampeners providing a soft close action
- Cone cap incorporated on bottom hinge for anti-toe hold
- Suits 10 or 12mm thick glass gates (max 45kg)



Round post hinge cut out specification

Glass cut outs at top & bottom of gate



PSC-120W & PSC-120PLATE-RP shown above

GATE LATCHES

Complete hinge and latch configurations to suit semi-frameless and frameless applications

The side pull latches are designed to meet the self closing compliance requirements and are available to suit installation into a range of configurations including glass to glass, square post or directly onto a wall.

BLITZ LATCH RANGE



Blitz Latch -
Glass to Glass Kit
(BLACK POLYMER Latch).
Available in a Polish finish
Order Code GL-G2G-P



Blitz Latch -
Glass to Square Post/Wall
(BLACK POLYMER Latch).
Available in a Polish finish
Order Code GL-G2SP-P



Blitz Latch -
Glass to Glass Kit
(BLACK POLYMER Latch).
Available in a Black finish
Order Code GL-G2G-B



Blitz Latch -
Glass to Square Post/Wall
(BLACK POLYMER Latch).
Available in a Black finish
Order Code GL-G2SP-B

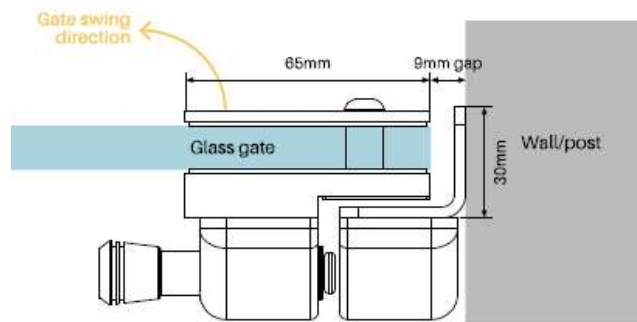
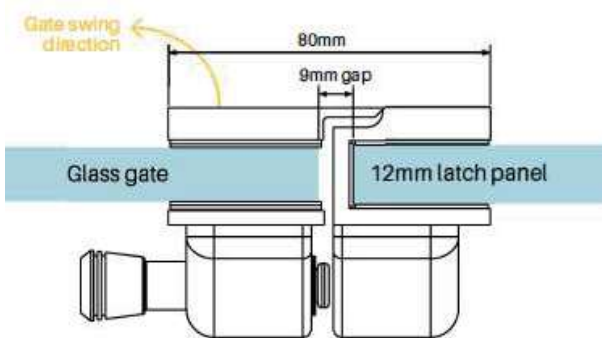
Lockable Option
The Blitz Latches are available with a lockable latch option



Order Code:
Polished GL-G2GL-P
Black GL-G2GL-B



Order Code:
Polished GL-G2SPL-P
Black GL-G2SPL-B



MASTER RANGE LATCHES

- Latches available for glass to glass, wall/post to glass and 90° corner applications
- High quality Downee latch supplied as standard for nylon side pull latches
- Optional D&D lockable latch can retrofit to any nylon side pull latch
- D&D fully stainless steel latches available in Polish & Satin finish
- Selected Matt black finish latches are also now available



Glass to glass stainless steel latch kit

SS316

Polish or satin finish

Order Code: **MR-FLGGSS-P (Polish)**

MR-FLGGSS-S (Satin)

- Genuine D&D stainless steel side pull latch
- Friction keeper for glass to glass 180° application
- Suits 8mm, 10mm and 12mm glass gates
- Latch panel must be 12mm thick - no latch holes required



Glass to glass latch kit

SS316 & Polymer

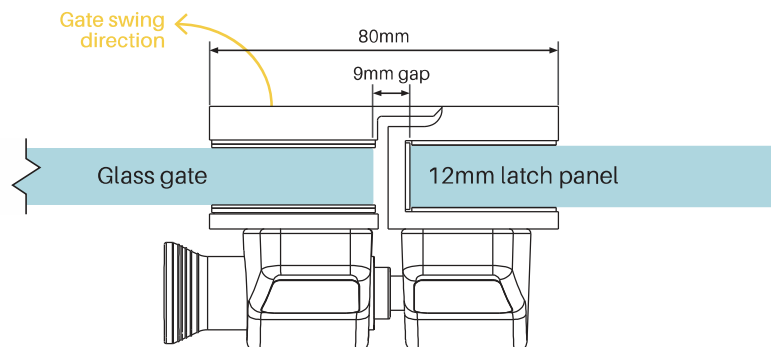
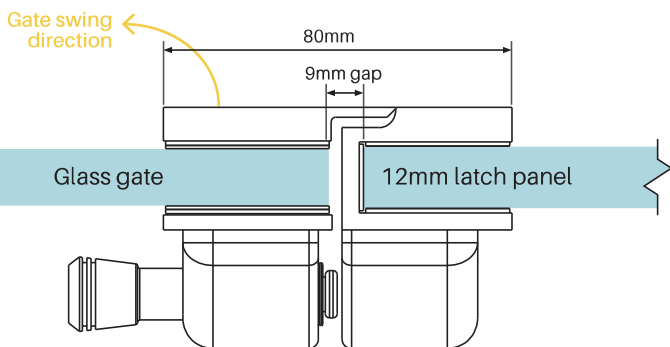
Polish, satin or matt black finish

Order Code: **MR-FLGG-P (Polish)**

MR-FLGG-S (Satin)

MR-FLGG-B (Black)

- Downee side pull latch with SS316 backing plates
- Friction keeper for glass to glass 180° application
- Suits 8mm, 10mm and 12mm glass gates
- Latch panel must be 12mm thick - no latch holes required



NOTE: DRAWINGS ARE NOT TO SCALE

MASTER RANGE HARDWARE



Glass to glass external 90° corner latch kit

SS316 & Polymer

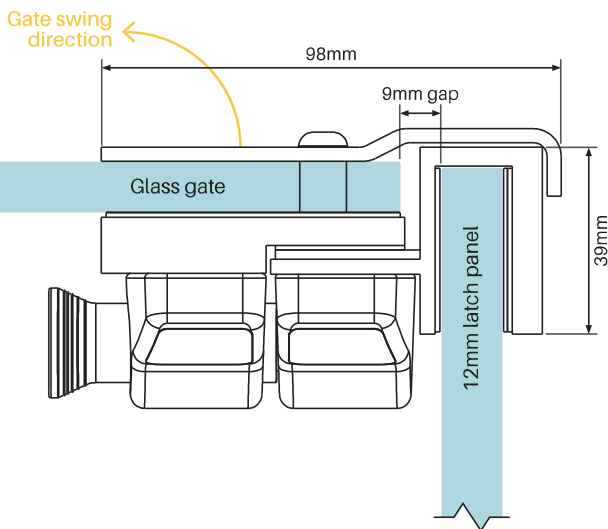
Polish, satin or matt black finish

Order Code: **MR-FL90E-P (Polish)**

MR-FL90E-S (Satin)

MR-FL90E-B (Matt black)

- Downnee side pull latch with SS316 backing plates
- Friction keeper for external fit 90° glass to glass application
- Integrated hook plate ensures latch panel cannot be separated from gate
- Suits 8mm, 10mm and 12mm glass gates
- Latch panel must be 12mm thick - no latch holes required



Glass to glass internal 90° corner latch kit

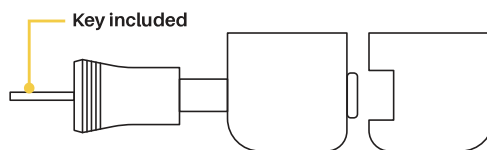
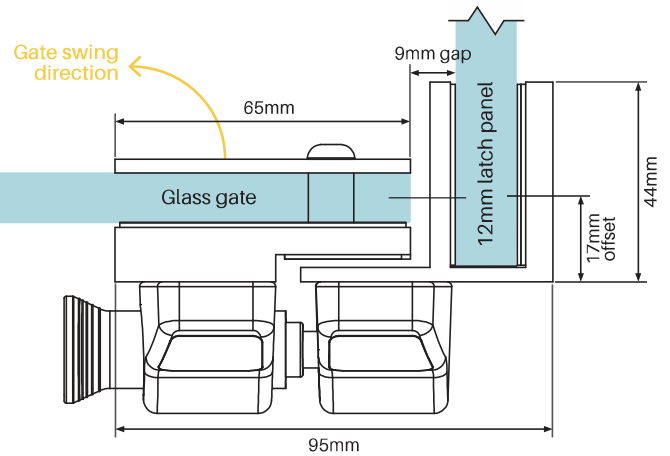
SS316 & Polymer

Polish or satin finish

Order Code: **MR-FL90I-P (Polish)**

MR-FL90I-S (Satin)

- Downnee side pull latch with SS316 backing plates
- Friction keeper for internal fit 90° glass to glass application
- Specially designed locking clasp mechanism ensures latch panel cannot be separated from gate
- Suits 8mm, 10mm and 12mm glass gates
- Latch panel must be 12mm thick - no latch holes required



Retro fit to master range latch kits for a lockable latch



Face mount latch

Black Polymer

Black finish

Order Code: **MR-FMLS**

Supplier Code: **MLSP52L**

- Key lockable D&D latch in black polymer finish
- All backing plates supplied with non-lockable nylon latches can be retro fitted with the D&D lockable latch

MASTER RANGE HARDWARE



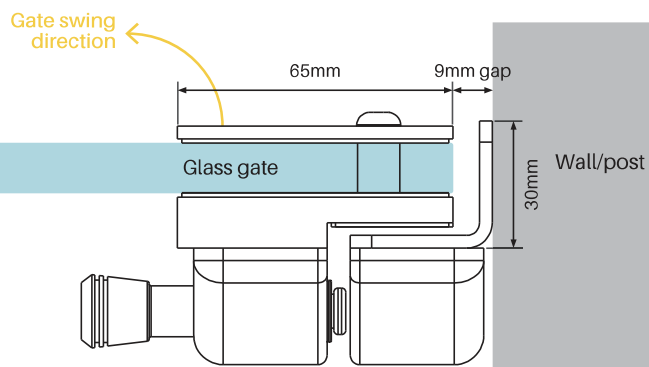
Wall/square post to glass stainless steel latch kit

SS316

Polish or satin finish

Order Code: **MR-WGLSS-P (Polish)**
MR-WGLSS-S (Satin)

- Genuine D&D stainless steel side pull latch
- Latch for wall/sq. post to glass gate application
- Suits 8mm, 10mm and 12mm glass gates



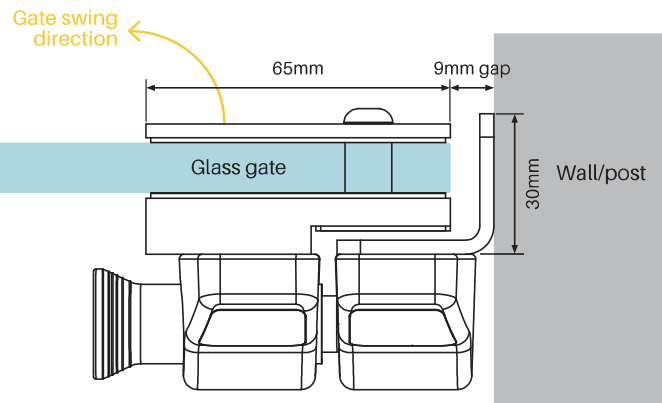
Wall/sq. post to glass latch kit

SS316 & Polymer

Polish, satin or matt black finish

Order Code: **MR-WGL-P (Polish)**
MR-WGL-S (Satin)
MR-WGL-B (Black)

- Downnee side pull latch with SS316 backing plates
- Latch for wall/sq. post to glass application
- Suits 8mm, 10mm and 12mm glass gates



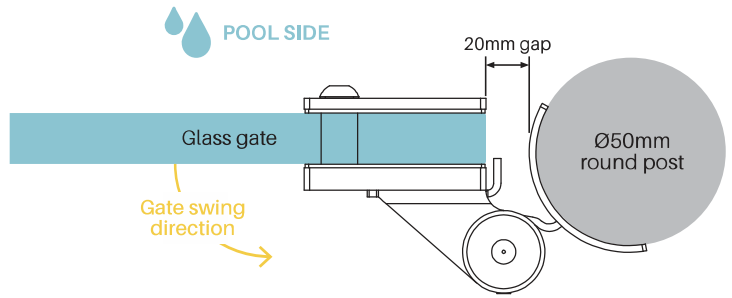
ROUND POST CONFIGURATION



Round post to glass hinge set - Pair of 2 SS316

Polish or satin finish

Order Code: **MR-RPH-P (Polish)**
MR-RPH-S (Satin)



- Suits 50mm round post to glass application
- Cone cap incorporated to prevent toe hold
- Suits 8mm and 10mm glass gates
- Weight capacity of 25kg per pair



Round post to glass latch kit SS316

Polish or satin finish

Order Code:
MR-RPLSS-P (Polish)
MR-RPLSS-S (Satin)

- Genuine D&D stainless steel side pull latch
- Latch for 50mm round post to glass application
- Suits 8mm, 10mm and 12mm glass gates



Stainless
steel 316
striker plate

Black striker
plate
Silver striker
plate

Side pull latch kit

Polymer with powder coated aluminium or SS316
striker **Silver, black or SS316 finish**

Order CodeS:

MR-SFLSL-S (Silver striker plate)

MR-SFLSL-B (Black striker plate)

MR-SF-SSS (SS316 striker plate only)

- Suits 50mm square and Ø50mm round posts
- Z shape striker plate ensures gate is centred to post
- Suits 8mm, 10mm and 12mm glass gates

