
AIRE BALUSTRADE

AIRE is a complete aluminium picket balustrade system featuring innovative patented non-weld technology and is ideally suited for new builds or renovations. This stunning system features either vertical 16.5mm square or 65x16.5mm slat balusters coupled with sturdy 50x50mm posts and the option of either a rectangular or oval handrail.

(07) 5493 9779

WWW.BLITZGLASS.COM.AU



AIRE

Why choose AIRE?

AIRE is a complete aluminium picket balustrade system featuring innovative patented non-weld technology and is ideally suited for new builds or renovations. This stunning system features either vertical 16.5mm square or 65x16.5mm slat balusters coupled with sturdy 50x50mm posts and the option of either a rectangular or oval handrail.

Careful design considerations ensure the system seamlessly integrates providing a complete aluminium balustrade suite that is easy to assemble and install in either core drill or base plated application.

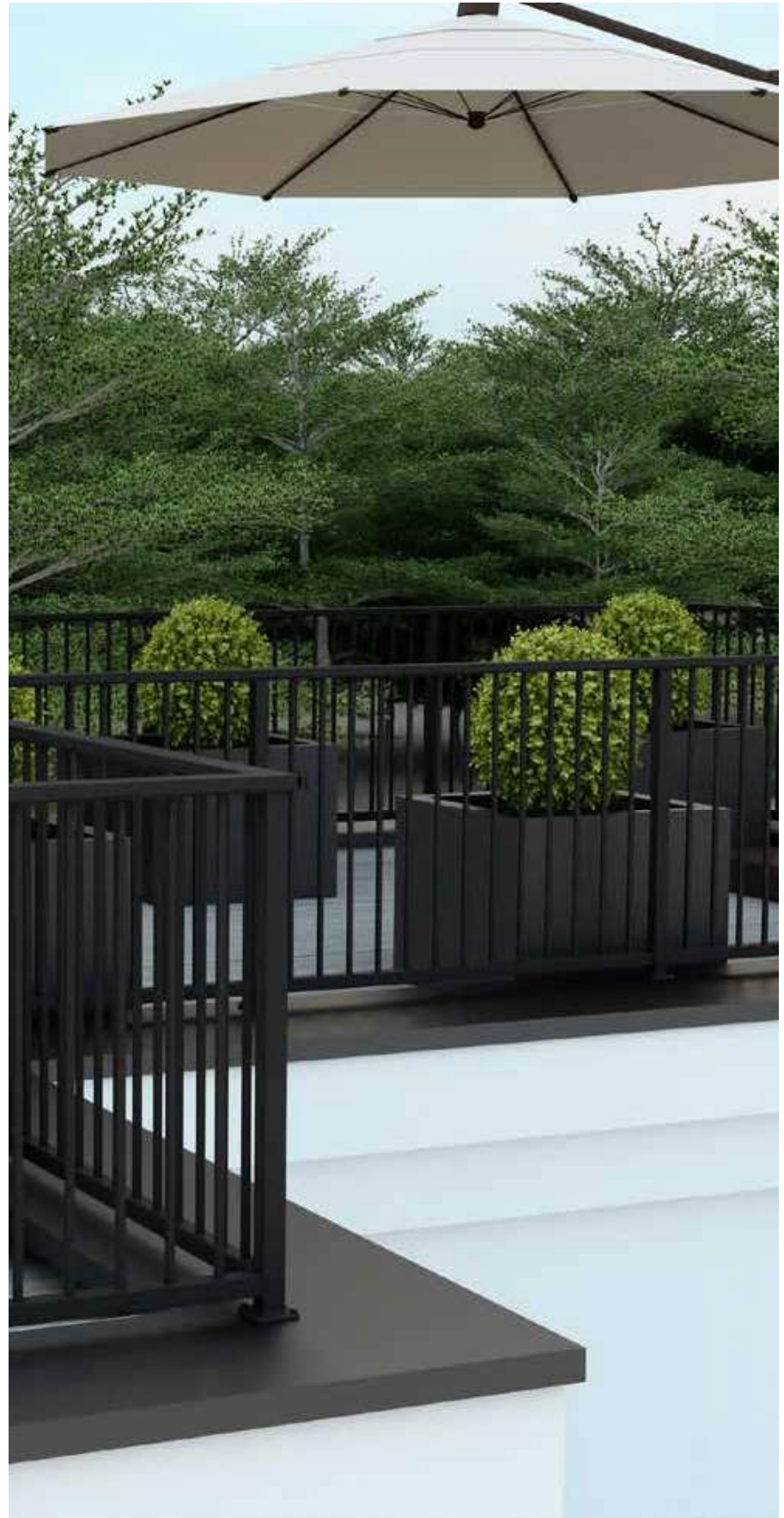
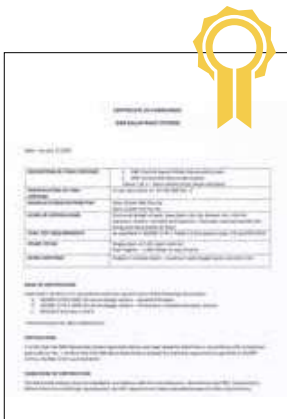
The system is stocked in 3 popular powder coated finishes – satin black, monument matt and pearl white gloss. It is also available in mill finish allowing customisation of powder coat colour. Pre-powder coated material can be cut to required lengths and assembled onsite or in a factory. The installation process has been carefully considered with component parts designed to maximise visual appeal while still ensuring ease of install.

The AIRE system is the result of significant research and development coupled with extensive load testing by accredited NATA testing facilities. Importantly, engineer compliance certification is available.

AIRE is a game changer in aluminium picket balustrade.

Certification

Certificate of Compliance to load test requirements of AS/NZS 1170.0, AS/NZS 1170.1 and NCC2019. Contact us for engineering information.





STYLES OF AIRE



01 **AIRE Picket Full**

The ultimate in picket balustrade – featuring 16.5x16.5mm square balusters with oval or rectangular handrail option.



02 **AIRE Picket 3-Rail**

Features a stylish midrail design incorporating 16.5x16.5mm square balusters and choice of oval or rectangular handrail.



03 **AIRE Slat Full**

Vertical slat 65x16.5mm slat balusters with 64mm gap spacing. Increasingly popular having regard to Hamptons inspired design.



04 **AIRE Slat 3-Rail**

Midrail option for 65x16.5mm vertical slat balustrade.



FINISHES

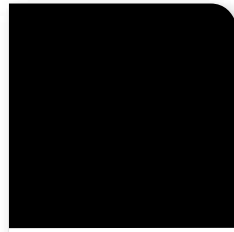
Our colour range

AIRE is stocked in 3 popular balustrade powder coat finishes: Satin Black, Monument Matt and Pearl White Gloss. Mill finish is also available enabling customisation to any desired powder coat finish.

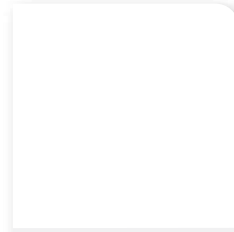
Satin black and monument matt continue to be the consistent colour palate for balustrade and seamlessly integrate into a variety of backgrounds. Pearl White is a growing trend in balustrade with the proliferation of Hamptons inspired design.

Genuine Interpon powder is used with Interpon D1000 manufacturer warranties provided.

AIRE extrusions are produced to the chemical composition, mechanical property and dimensional tolerances in AS-NZS 1866:1997



SATIN BLACK
GN150A (B)



PEARL WHITE GLOSS
GA078A (W)



MONUMENT MATT
GL229A (MN)



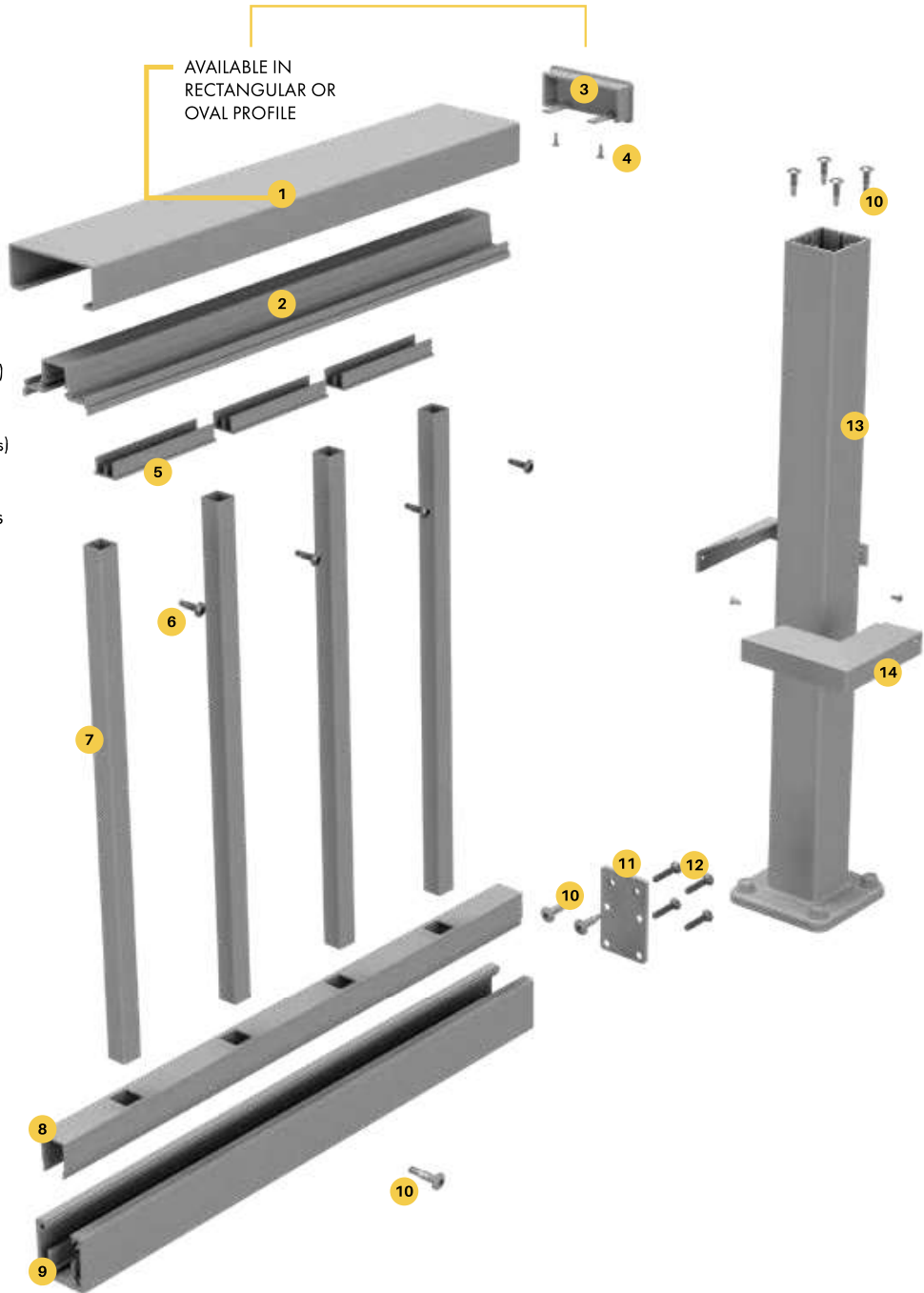
MILL (M)





AIRE

- 1 75x30mm top rail
- 2 Undercapping rail
- 3 75x30mm end cap
- 4 10gx16mm fixing screw for end cap
- 5 Snap in spacers
- 6 8gx15mm baluster fixing screws
- 7 16.5x16.5mm square pickets/balusters
- 8 Punched insert (92.5mm gap spacing)
- 9 45x45mm bottom rail (also used as midrail for 3 rail installations)
- 10 12gx25mm screws for:
 - 1) Fixing rail mounting plates to posts (** for fixing to aluminium posts. Use different/appropriate screws if fixing to timber/steel etc)
 - 2) Bottom rail locking screen
 - 3) Fixing undercapping rail to posts
- 11 Mounting plates
- 12 12gx50mm screws for fixing mounting plates to bottom rail
- 13 50x50x3.2mm Aire Post (core drill or with welded base plate)
- 14 2 part domical cover (** if using base plated posts; use dress ring if core drill post)



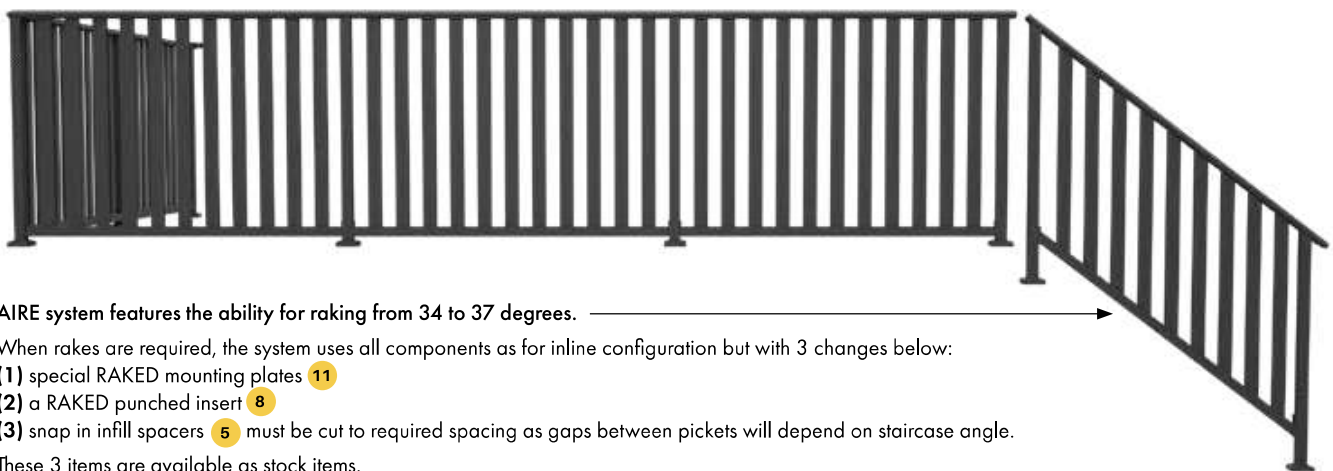
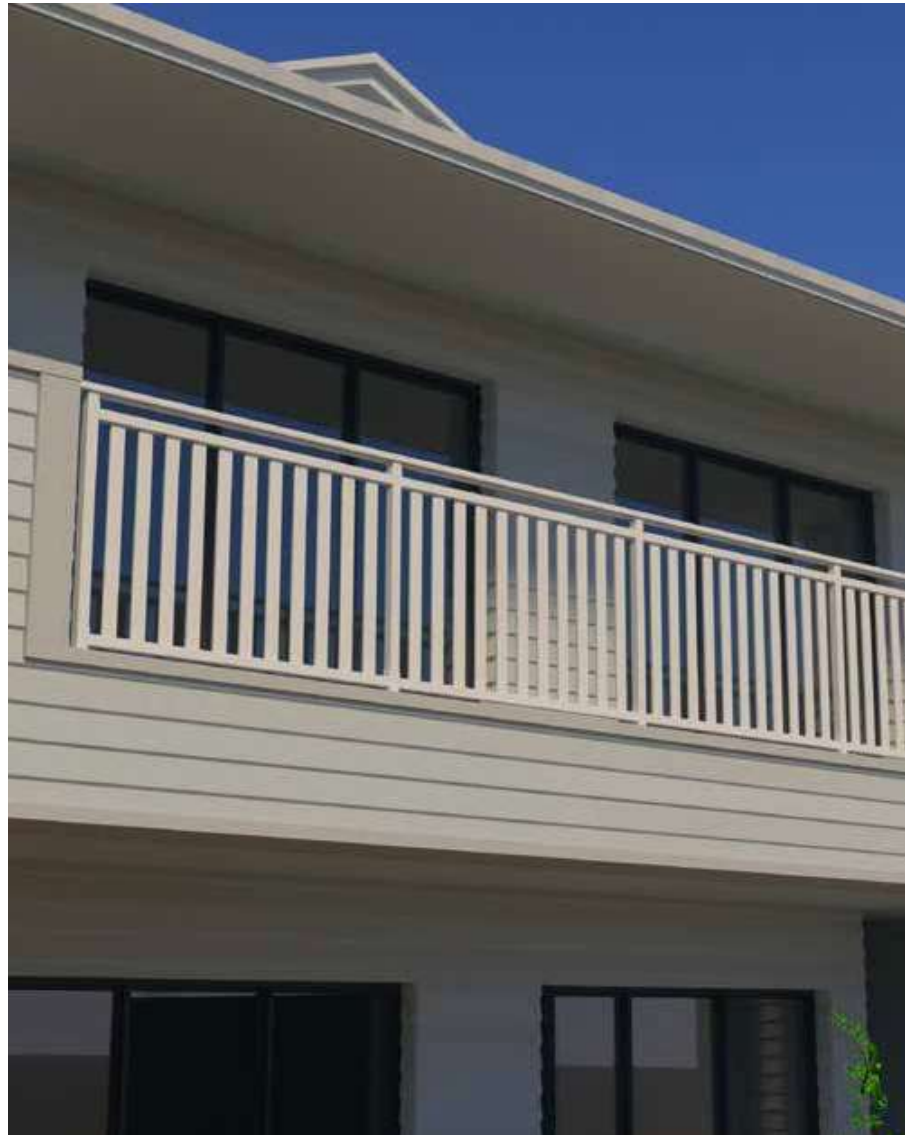


AIRE SLAT

AIRE slat range

Versatile design providing the sought after Hamptons look with 65x16mm vertical slat balusters. Also, achieve a stunning colonial look with the '3 rail configuration' by incorporating a midrail.

- ✔ Complete balustrade system featuring non-weld technology
- ✔ Core drill or base plated application
- ✔ Pre-powder coated stock is easily assembled & installed
- ✔ Option for raked installation for staircases
- ✔ Compliance certification available



AIRE system features the ability for raking from 34 to 37 degrees.

When rakes are required, the system uses all components as for inline configuration but with 3 changes below:

- (1) special RAKED mounting plates **11**
- (2) a RAKED punched insert **8**
- (3) snap in infill spacers **5** must be cut to required spacing as gaps between pickets will depend on staircase angle.

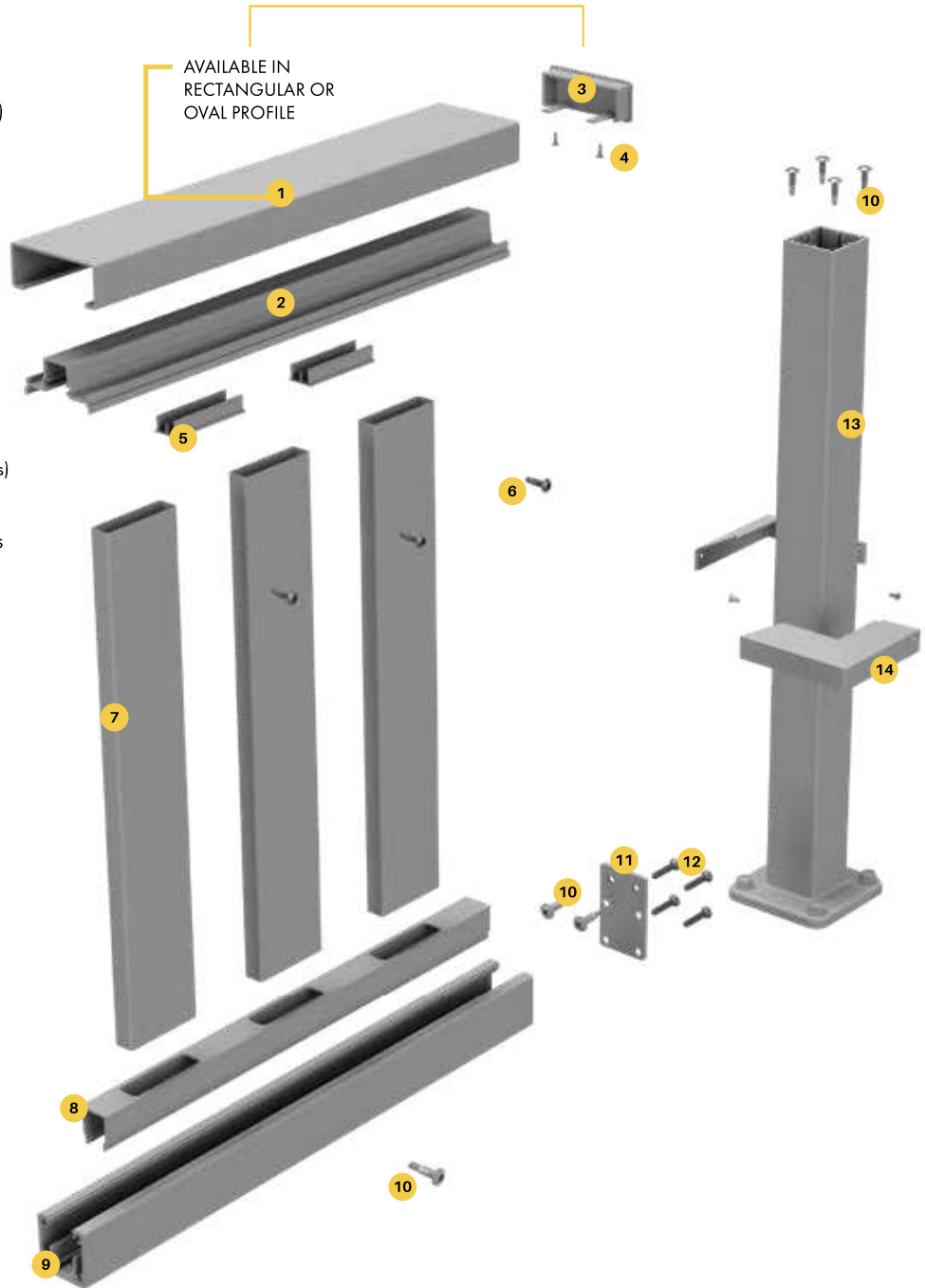
These 3 items are available as stock items.

For the top of posts, simply cut at required angle and then screw fix on undercapping rail **2**



AIRE

- 1 **75x30mm top rail**
(available oval or rectangle profile)
- 2 **Undercapping rail**
- 3 **75x30mm end cap**
(available to suit oval or rectangle profile)
- 4 **10gx16mm fixing screw for end cap**
- 5 **Snap in spacers**
- 6 **8gx15mm baluster fixing screws**
- 7 **65x16.5mm slat balusters**
- 8 **Punched insert (64mm gap spacing)**
- 9 **45x45mm bottom rail**
(also used as midrail for 3 rail installations)
- 10 **12gx25mm screws for:**
1) Fixing rail mounting plates to posts
(** for fixing to aluminium posts.
Use different/appropriate screws if fixing to timber/steel etc)
2) Bottom rail locking screen
3) Fixing undercapping rail to posts
- 11 **Mounting plates**
- 12 **12gx50mm screws for fixing mounting plates to bottom rail**
- 13 **50x50x3.2mm Aire Post**
(core drill or with welded base plate)
- 14 **2 part domical cover**
(** if using base plated posts;
use dress ring if core drill post)





AIRE

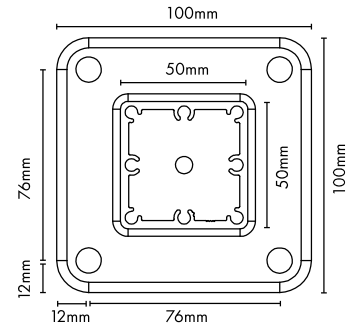
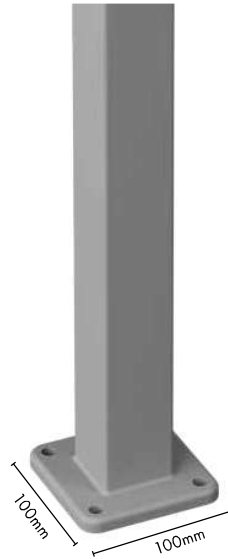
Full post with base plate (welded)

1050mm H

**Satin Black, Monument Matt,
Pearl White Gloss or Mill finish**

Order Code: **AR-1050-FPBP-B (Black)**
AR-1050-FPBP-MN (Monument)
AR-1050-FPBP-W (White)
AR-1050-FPBP-M (Mill)

- Sturdy base plated post at 1050mm high overall
- Simply cut top of post to reduce height if needed
- Made from Alloy 6106 T6: premium & rigid alloy
- 3.2mm wall thickness post: 50x50mm profile
- 100x100mm base plate 10mm thick welded on;
- 4 x 11mm diameter fixing holes
- Screw flutes in extrusion allow non-weld affixing of top rail



FINISHES



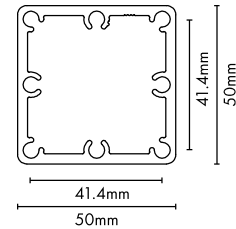
5800mm long – Full post

50x50x3.2mm

**Satin Black, Monument Matt,
Pearl White Gloss or Mill finish**

Order Code: **AR-5800-FP-B (Black)**
AR-5800-FP-MN (Monument)
AR-5800-FP-W (White)
AR-5800-FP-M (Mill)

- 5800mm long post: suits core drill installation
- Cut to required lengths
- Made from Alloy 6106 T6: premium & rigid alloy
- 3.2mm wall thickness post: 50x50mm profile
- Screw flutes in extrusion allow non-weld affixing of top rail



lxx = 214.10 x 10E3 mmE4
lly = 214.28 x 10E3 mmE4

FINISHES



AIRE Aluminium Balustrade

5600mm long

Square picket baluster

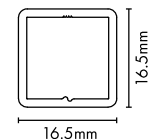
16.5x16.5x1.4mm

Sold in lots of 4 pickets

**Satin Black, Monument Matt,
Pearl White Gloss or Mill finish**

Order Code: **AR-5600-PB-B (Black)**
AR-5600-PB-MN (Monument)
AR-5600-PB-W (White)
AR-5600-PB-M (Mill)

- 5600mm long picket/baluster
- Simply cut to required lengths
- Made from Alloy 6106 T6: premium & rigid alloy
- 1.4mm wall thickness baluster: 16.5x16.5mm profile
- Sold in bundles of 4



lxx = 311 x 10E3 mmE4
lly = 3.13 x 10E3 mmE4

FINISHES





AIRE

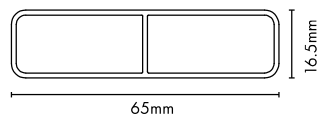
65 x 16.5mm baluster with centre web

6100mm long

**Satin Black, Monument Matt,
Pearl White Gloss or Mill finish**

Order Code: **XP-6100-S65-B (Black)**
XP-6100-S65-MN (Monument)
XP-6100-S65-W (White)
XP-6100-S65-M (Mill)

- 6100mm long slat/baluster
Simply cut to required lengths
- Made from Alloy 6060 T6
- 1.2mm wall thickness baluster: 65x16.5mm profile
- Features centre web in extrusion profile for added strength



lxx = 9.60 x 10E3 mmE4
lyy = 83.09 x 10E3 mmE4

FINISHES



*Note: As an alternative for vertical slat,
Alumawood Kwila & Western Red Cedar are
available. Alumawood slats are 5800mm long.
For post/framing use
Monument or Black.*



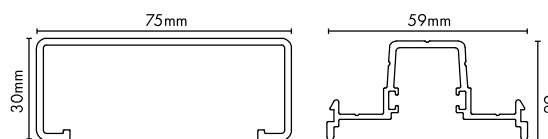
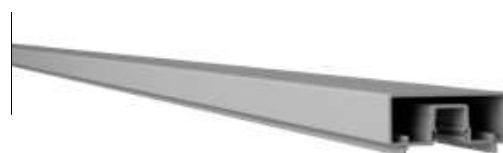
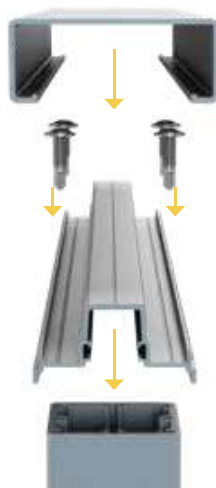
5800mm rectangular handrail

WITH CHANNEL INSERT

**Satin Black, Monument Matt,
Pearl White Gloss or Mill finish**

Order Code: **A50-5800-RHR-B (Black)**
A50-5800-RHR-MN (Monument)
A50-5800-RHR-W (White)
A50-5800-RHR-M (Mill)

- 5800mm long 75x30mm rectangular profile
- Made from Alloy 6063 T6
- 2 part railing: (1) undercapping rail is screwed to top of post & (2) rectangular handrail is then snapped onto undercapping rail
- Easy to install



FINISHES



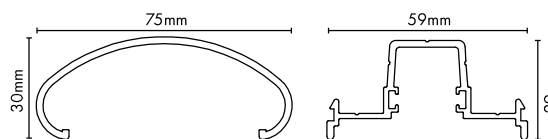
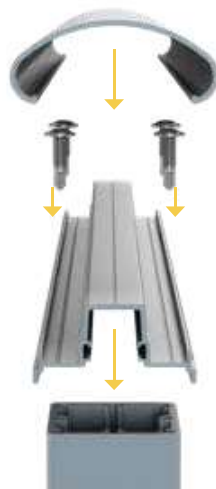
Oval handrail

WITH CHANNEL INSERT

**Satin Black, Monument Matt,
Pearl White Gloss or Mill finish**

Order Code: **A50-5800-OHR-B (Black)**
A50-5800-OHR-MN (Monument)
A50-5800-OHR-W (White)
A50-5800-OHR-M (Mill)

- 5800mm long 75x30mm oval profile
- Made from Alloy 6063 T6
- 2 part railing: (1) undercapping rail is screwed to top of post & (2) oval handrail is then snapped onto undercapping rail
- Easy to install



FINISHES





AIRE

5800mm long bottom rail

45 x 45 x 3 mm

*Picket/baluster inserts sold separately

**Satin Black, Monument Matt,
Pearl White Gloss or Mill finish**

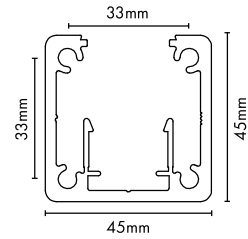
Order Code: AR-5800-BR-B (Black)

AR-5800-BR-MN (Monument)

AR-5800-BR-W (White)

AR-5800-BR-M (Mill)

- 5800mm long heavy duty bottom rail
- Cut to required widths to fit between posts
- 6060 T6
- 3mm wall thickness for maximum strength
- Snap in insert into open cavity to suit either 16.5x16.5 or 65x16.5mm balusters
- Patented NON WELD friction fit system
- No rattle with tension legs gripping vertical balusters
- Fix off bottom rail to posts using mounting plates (refer P18)



lxx = 136.78 x 10E3 mmE4
lyy = 171.77 x 10E3 mmE4

FINISHES



3250mm long Bottom rail insert

Suits 16.5x16.5mm balusters

**Satin Black, Monument Matt,
Pearl White Gloss or Mill finish**

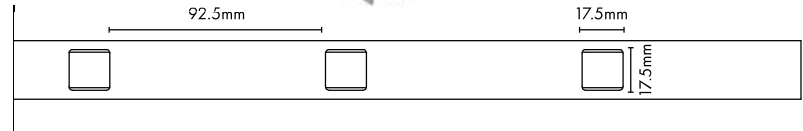
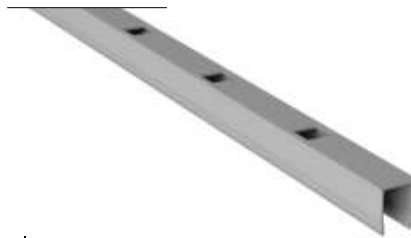
Order Code: AR-3250-INS-16-B (Black)

AR-3250-INS-16-MN (Monument)

AR-3250-INS-16-W (White)

AR-3250-INS-16-M (Mill)

- Suits 16.5x16.5mm square balusters
- 3250mm long punched insert
- Cut to required widths
- 6063 T5
- Snaps into bottom rail (code: AR-5800-BR) to create the complete bottom rail system
- Punched at 92.5mm gap spacing providing 110mm centre to centre of baluster
- Balusters simply press down into punched holes and are held firmly in place via patented aluminium friction legs
- No rattle or movement of balusters



FINISHES



3214mm long * raked * Bottom rail insert

Suits 16.5x16.5mm balusters and 34-37degree angle installation

**Satin Black, Monument Matt,
Pearl White Gloss or Mill finish**

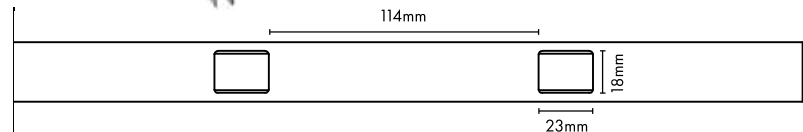
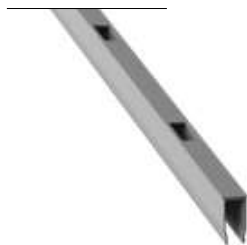
Order Code: AR-3214-INS-16RA-B (Black)

AR-3214-INS-16RA-MN (Monument)

AR-3214-INS-16RA-W (White)

AR-3214-INS-16RA-M (Mill)

- 3214mm long punched insert
- Cut to required widths
- 6063 T5
- Snaps into bottom rail (code: AR-5800-BR) to create the complete bottom rail system
- Punched at 114mm gap spacing providing 137 centre to centre of baluster
- Suits 16.5x16.5mm square balusters for RAKED INSTALLATIONS - suits from 34 to 37 degrees
- Ideal solution for staircase installations



FINISHES





AIRE

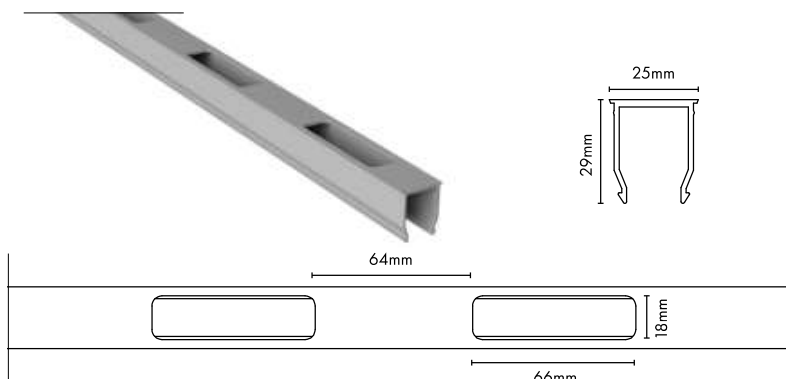
3022mm long Bottom rail insert

Suits 65x16.5mm vertical slat, 64mm gap spacing

**Satin Black, Monument Matt,
Pearl White Gloss or Mill finish**

Order Code: **AR-3022-INS-65-B (Black)**
AR-3022-INS-65-MN (Monument)
AR-3022-INS-65-W (White)
AR-3022-INS-65-M (Mill)

- 3022mm long punched insert; Cut to required widths
- 6063 T5
- Snaps into bottom rail (code: AR-5800-BR) to create the complete bottom rail system
- Punched at 64mm gap spacing providing 130mm centre to centre of baluster
- Suits 65x16.5mm slat balusters
- Balusters simply press down into punched holes/ bottom rail and are held firmly in place via patented aluminium friction legs
- No rattle or movement of balusters



FINISHES



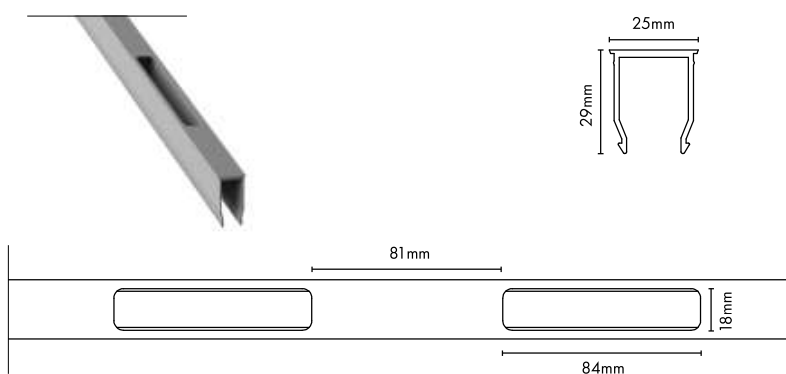
3175mm long *raked* Bottom rail insert

Suits 65x16.5mm slat and 34-37degree angle installation

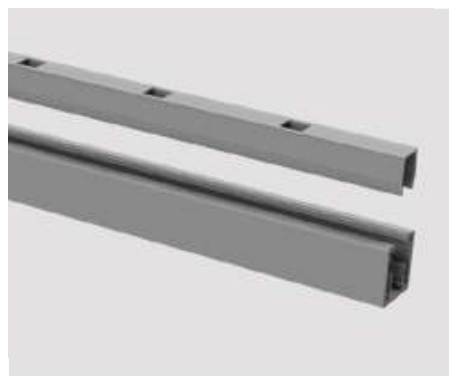
**Satin Black, Monument Matt,
Pearl White Gloss or Mill finish**

Order Code: **AR-3175-INS-65RA-B (Black)**
AR-3175-INS-65RA-MN (Monument)
AR-3175-INS-65RA-W (White)
AR-3175-INS-65RA-M (Mill)

- 3175mm long punched insert
- Cut to required widths
- 6063 T5
- Snaps into bottom rail (code: AR-5800-BR) to create the complete bottom rail system
- Punched at 81mm gap spacing providing 165 centre to centre of baluster
- Suits 65x16.5mm slat balusters for RAKED INSTALLATIONS - suits from 34 to 37 degrees
- Balusters simply press down into punched holes and are held firmly in place via patented aluminium friction legs
- Ideal solution for staircase installations



FINISHES



STEP 1

Select punched insert to snap into bottom rail.



STEP 2

Snap together. Tap insert into place with rubber mallet if required.



STEP 3

Completed bottom rail (also can be used as a midrail for 3 rail installation - simply insert).



AIRE

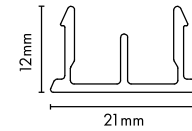
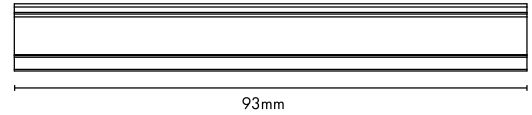
93mm wide top spacer

FOR 16.5x16.5MM PICKET BALUSTRADE
PACK OF 20

**Satin Black, Monument Matt,
Pearl White Gloss or Mill finish**

Order Code: **AR-SPACER-93MM-B (Black)**
AR-SPACER-93MM-MN (Monument)
AR-SPACER-93MM-W (White)
AR-SPACER-93MM-M (Mill)

- Precision cut aluminium spacers snap into uncapping top rail (refer P13; Code: A50-5800-RHR/OHR)
- Accurately separates 16.5x16.5mm balusters in top rail
- Applies to inline/straight installations. Not applicable for raked installation
- Fast and easy to install and ensures accuracy of installation/spacing
- Sold in packs of 20



FINISHES



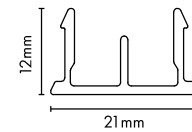
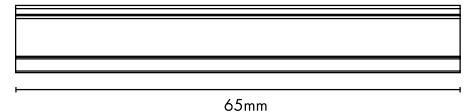
65mm wide top spacer

FOR 65x16.5MM SLAT BALUSTRADE
PACK OF 20

**Satin Black, Monument Matt,
Pearl White Gloss or Mill finish**

Order Code: **AR-SPACER-65MM-B (Black)**
AR-SPACER-65MM-MN (Monument)
AR-SPACER-65MM-W (White)
AR-SPACER-65MM-M (Mill)

- Precision cut aluminium spacers snap into uncapping top rail (refer P13; Code: A50-5800-RHR/OHR)
- Accurately separates 65x16.5mm slat balusters in top rail
- Applies to inline/straight installations. Not applicable for raked installation
- Fast and easy to install and ensures accuracy of installation/spacing
- Sold in packs of 20



FINISHES



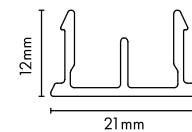
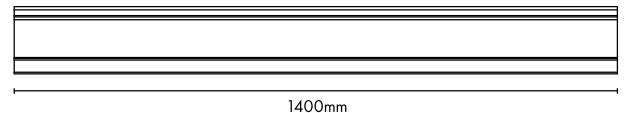
1400mm long aluminium infill /spacer

**Satin Black, Monument Matt,
Pearl White Gloss or Mill finish**

Order Code: **A50-1400-INF-B (Black)**
A50-1400-INF-MN (Monument)
A50-1400-INF-W (White)
A50-1400-INF-M (Mill)

Used in 2 applications:

- (1) for RAKED stair installations, cut to required size as a spacer between balusters for snap into uncapping rail
- (2) for 3 rail installations, snap into uncapping rail to fill void as balusters do not penetrate into uncapping rail.
TIP: infill is 1400mm wide so if opening size is wider than 1400mm, then 2 x infills will be required. Use a full length plus a shorter length or for a neater finish, cut each such that the join of infill is at midpoint of uncapping.



FINISHES





AIRE



STEP 1

Screw fix first picket ensuring straight and in correct position.



STEP 2

Insert balance of pickets and snap in spacers. Do not screw fix remaining pickets yet. Ensure all pickets and spacing true and correct.



STEP 3

Screw fix each picket with spacers in position.





AIRE

Mounting plate for bottom rail

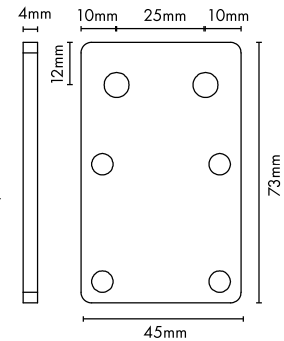
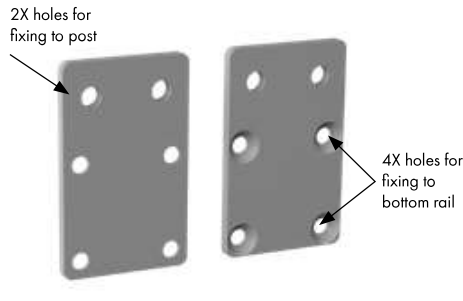
45x73x4mm

PACK OF 2

**Satin Black, Monument Matt,
Pearl White Gloss or Mill finish**

Order Code: **AR-PLATE-B-2PK (Black)**
AR-PLATE-MN-2PK (Monument)
AR-PLATE-W-2PK (White)
AR-PLATE-M-2PK (Mill)

- 4mm thick aluminium plates affix to either end of bottom rail so that bottom rail can fix to posts
- 4 x countersunk holes enable screw fixing to bottom rail. Use 12gx50mm countersunk screws (code: CSK-12GX50-50PK)
- 2 x 7mm diameter holes for fixing plate to post
- Plates can be rotated for fixing off on the top side, bottom side or sideways
- For '3 rail' installation, mounting plates are used on the midrail in addition to bottom rail
- Sold as a pack of 2



FINISHES



Mounting plate for bottom rail

*** raked ***

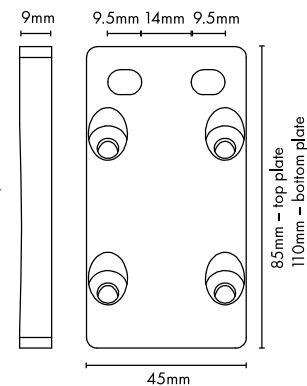
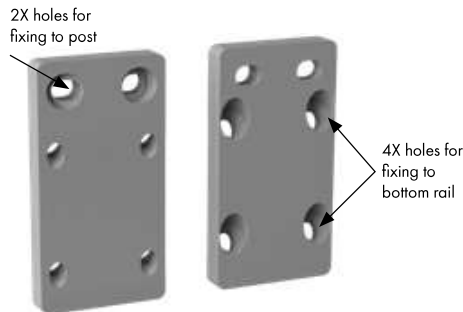
PACK OF 2

Suits 34 to 37 degrees

**Satin Black, Monument Matt,
Pearl White Gloss or Mill finish**

Order Code: **AR-RK-PLATE-B-2PK (Black)**
AR-RK-PLATE-MN-2PK (Monument)
AR-RK-PLATE-W-2PK (White)
AR-RK-PLATE-M-2PK (Mill)

- 9mm thick aluminium plates affix to either end of bottom rail so that bottom rail can fix to posts
- Used for RAKED installations - plates suit 34 to 37 degree angles
- 4 x countersunk holes enable screw fixing to bottom rail. Use 12gx50mm countersunk screws (code: CSK-12GX50-50PK)
- 2 x elongated 7mm diameter fixing holes fix to post



FINISHES



- For '3 rail' installation, mounting plates are used on the midrail in addition to bottom rail
- Sold as a pack of 2
- 85mm long plate: higher side of bottom rail
- 110mm long plate: lower side of bottom rail



STEP 1

Screw fix mounting plate to bottom rail.



STEP 2

Plate can be rotated so fixing holes are on top, bottom or sides. Illustration shows fixing holes in top position.



STEP 3

Screw fix mounting plate to post or other structure.



AIRE

Rectangular end cap

ALUMINIUM

Suits 75x30mm rectangular handrail

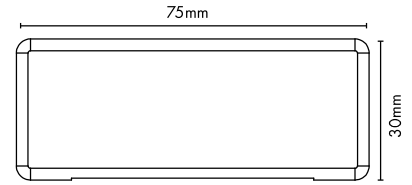
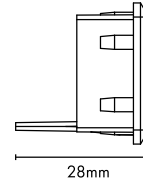
Satin Black, Monument Matt, Pearl White Gloss or Mill finish

Order Code: **A50-ECA-R-B (Black)**

A50-ECA-R-MN (Monument)

A50-ECA-R-W (White)

A50-ECA-R-M (Mill)



- End cap made from aluminium die cast
- Suits 75x30mm rectangular handrail
- Features protruding fins at bottom so end cap may be mechanically fixed to undercapping rail

FINISHES



BLACK

MONUMENT

WHITE

MILL

Offset bracket

ALUMINIUM

2 PACK (1 LEFT & 1 RIGHT BRACKET)

Suits 75x30mm rectangular handrail

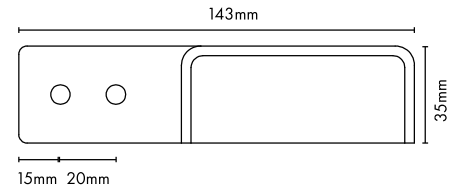
Satin Black, Monument Matt, Pearl White Gloss or Mill finish

Order Code: **A50-BRACKET-R-B-2PK (Black)**

A50-BRACKET-R-MN-2PK (Monument)

A50-BRACKET-R-W-2PK (White)

A50-BRACKET-R-M-2PK (Mill)



- Offset bracket made from aluminium die cast
- Suits 75x30mm rectangular handrail
- Caps over top of handrail and features offset leg for fixing to wall/post
- Mechanically fix bracket to handrail by screwing through side of bracket into handrail
- 2 x 7mm diameter holes for fixing to post/wall
- Sold as a 2 pack - 1 x left and 1 x right bracket

FINISHES



BLACK

MONUMENT

WHITE

MILL





AIRE

Oval end cap

ALUMINIUM

Suits oval handrail

**Satin Black, Monument Matt,
Pearl White Gloss or Mill finish**

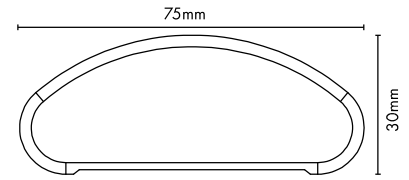
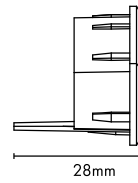
Order Code: **A50-ECA-O-B (Black)**

A50-ECA-O-MN (Monument)

A50-ECA-O-W (White)

A50-ECA-O-M (Mill)

- End cap made from aluminium die cast
- Suits 75x30mm oval handrail
- Features protruding fins at bottom so end cap may be mechanically fixed to undercapping rail



FINISHES



Offset bracket

ALUMINIUM

2 PACK (1 LEFT & 1 RIGHT BRACKET)

Suits oval handrail

**Satin Black, Monument Matt,
Pearl White Gloss or Mill finish**

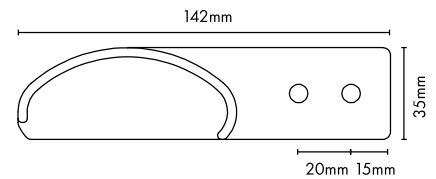
Order Code: **A50-BRACKET-O-B-2PK (Black)**

A50-BRACKET-O-MN-2PK (Monument)

A50-BRACKET-O-W-2PK (White)

A50-BRACKET-O-M-2PK (Mill)

- Offset bracket made from aluminium die cast
- Suits 75x30mm oval handrail
- Caps over top of handrail and features offset leg for fixing to wall/post
- Mechanically fix bracket to handrail by screwing through side of bracket into handrail
- 2 x 7mm diameter fixing holes to post/wall
- Sold as a 2 pack - 1 x left and 1 x right bracket

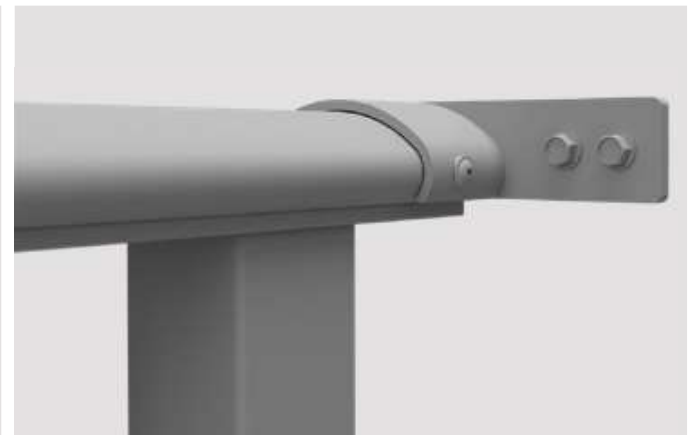


FINISHES



STEP 1

Offset bracket caps over installed handrail.



STEP 2

Screw fix offset bracket to (1) handrail and (2) post/wall.



AIRE

Wall Plate

ALUMINIUM

Suits oval & rectangular handrail

Satin Black, Monument, Pearl White or Mill finish

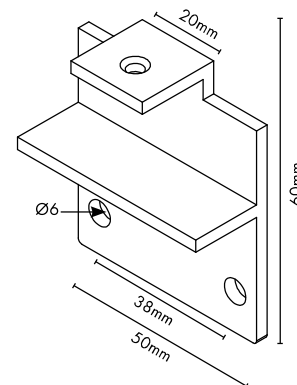
Order Code: A50-WP-B (Black)

A50-WP-MN (Monument)

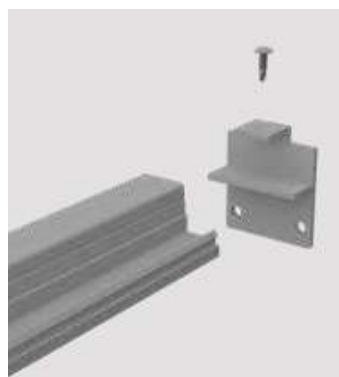
A50-WP-W (White)

A50-WP-M (Mill)

- Affixes internally to undercapping rail with only the bottom section visible – provides a slimline finish
- Affix to undercapping rail firstly and then affix to wall. Oval or rectangular handrail snaps over the undercapping rail with wall plate



FINISHES



STEP 1

Insert wall plate onto undercapping rail and fix off through hole located on top of wall plate.



STEP 2

Screw fix undercapping rail to post via 4 x screw flutes in corners of posts. Ensure wall plate neatly fits against wall/post. Use 12gx25mm panhead screw (refer stock code AR-SCR-BR)



STEP 3

Affix wall plate to wall/post using 2 x screws. Use suitable screws to fix having regard to structure.



STEP 4

Clip on oval or rectangular handrail onto undercapping rail. Wall plate is hidden except for bottom section.

Two part domical cover

POWDER COATED ALUMINIUM

Black, Monument, White, Mill

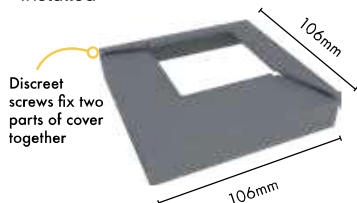
Order Code: XP-DC-2P-B (Black)

XP-DC-2P-M (Mill)

XP-DC-2P-MN (Monument)

XP-DC-2P-W (White)

- Suits 50x50mm post with 100x100mm base plate
- 106x106mm outer – 52x52mm inner – Alloy ADC12
- Cover can be fitted to posts after balustrade posts are installed



Post dress rings

POWDER COATED ALUMINIUM

Black, Monument, White, Mill

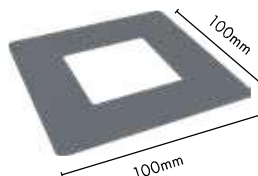
Order Code: XP-DR-B (Black)

XP-DR-M (Mill)

XP-DR-MN (Monument)

XP-DR-W (White)

- Suits 50x50mm core drill posts
- 100mm x 100mm outer – 52mm x 52mm inner





AIRE

12g x 25mm panhead screw with square drive head

SS304HC

PACK OF 50

Black, White, Mill

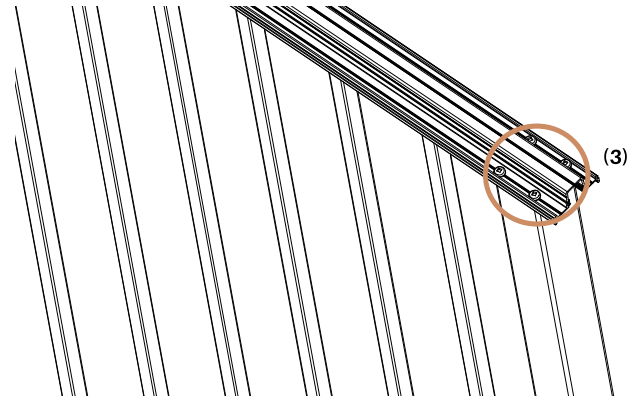
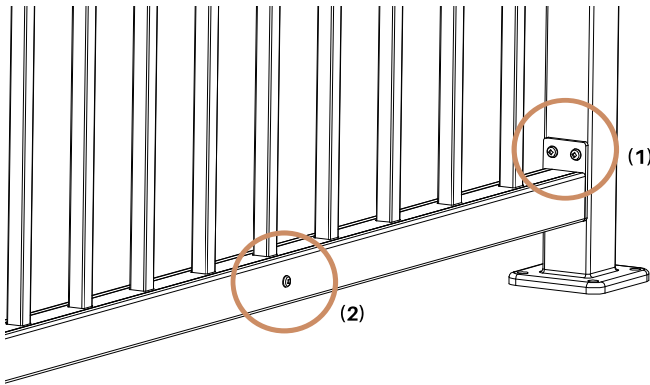
Order Code: AR-SCR-BR-50PK (Mill/Silver)

AR-SCR-BR-50PK-B (Black)

AR-SCR-BR-50PK-W (White)



- SS304 panhead screw 12gx25mm with square drive head
 - Use for:
 - (1) screwing bottom rail mounting plate to Aire aluminium posts
 - (2) fixing sideways through the bottom rail into the baluster at 2 places per span to act as a 'locking' screw to mechanically fix bottom rail to balusters
 - (3) fixing of undercapping rail to top of post
Screws are hidden by snap on rectangular or oval rail
Use mill/silver finish screw
 - For 3 rail installations, also use screws for fixing of midrail to Aire posts, and as a 'locking' screw to affix midrail to baluster
 - Sold as a pack of 50
- NOTE: for monument installations, use black screw or use mill/silver screw with monument touch base paint. Lubricate screw before screwing.*



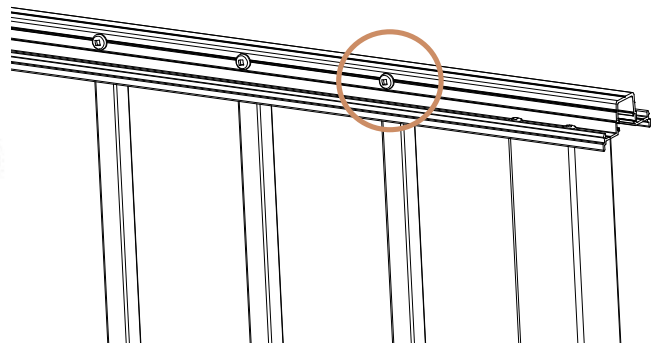
8g x 15mm picket/baluster screw with square drive head

SS304HC

PACK OF 100

Order Code: AR-SCR-BAL-100PK

- SS304 self drilling screw 8gx15mm with square drive head
- Use for fixing off each baluster to undercapping rail - 3mm pilot hole required
- Screws are hidden by snap on rectangular or oval handrail
- Sold as a pack of 100





AIRE

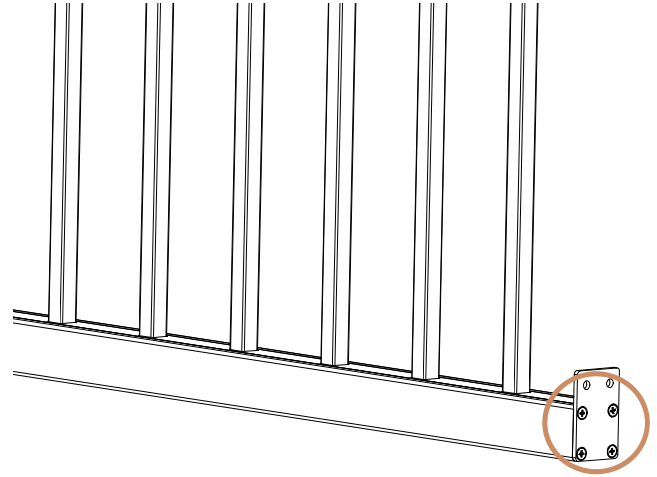
12g x 50mm long countersunk screws

SS304

50 PACK

Order Code: CSK-12GX50-50PK

- SS304 countersunk head 12gx50mm screw
- Use for screwing mounting plates to bottom rail
- Lubricate screws before screwing with a Phillips #3 bit
- Sold as a pack of 50



10g x 16mm self drilling wafer screws

BAG OF 100

Black, Monument, White, Mill

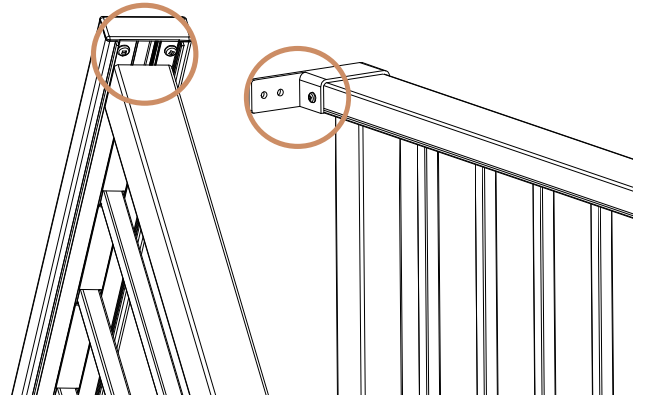
Order Code: XP-SCREWS-B (Black)

XP-SCREWS-M (Mill)

XP-SCREWS-MN (Monument)

XP-SCREWS-W (White)

- 10g x 16mm self drilling wafer head zinc plated screws
- Use for (1) screw fixing from underside of rectangular or oval end caps to uncapping rail or (2) sideways through offset rectangular or oval bracket into handrail
- Sold as a bag of 100



Driver bit

Order Code: DB-PH3

- Driver bit to suit Phillips #3 screw head.
- Useful bit when screwing 12gx50mm countersunk screws for fixing of mounting plates to bottom rail. (refer screw code CSK-12GX050-50PK)



Square head driver bit

Order Code: DB-SQ3.4

- Driver bit to suit 3.4mm square screw head hole
- Suits a variety of screws used in Aire System (eg codes: AR-SCR-BR-50PK; AR-SCR-BAL-100PK)



Touch Up Paint

150g SPRAY CAN

Black, monument and pearl white finish

Order Code: PAINT-B (Black)

PAINT-MN (Monument)

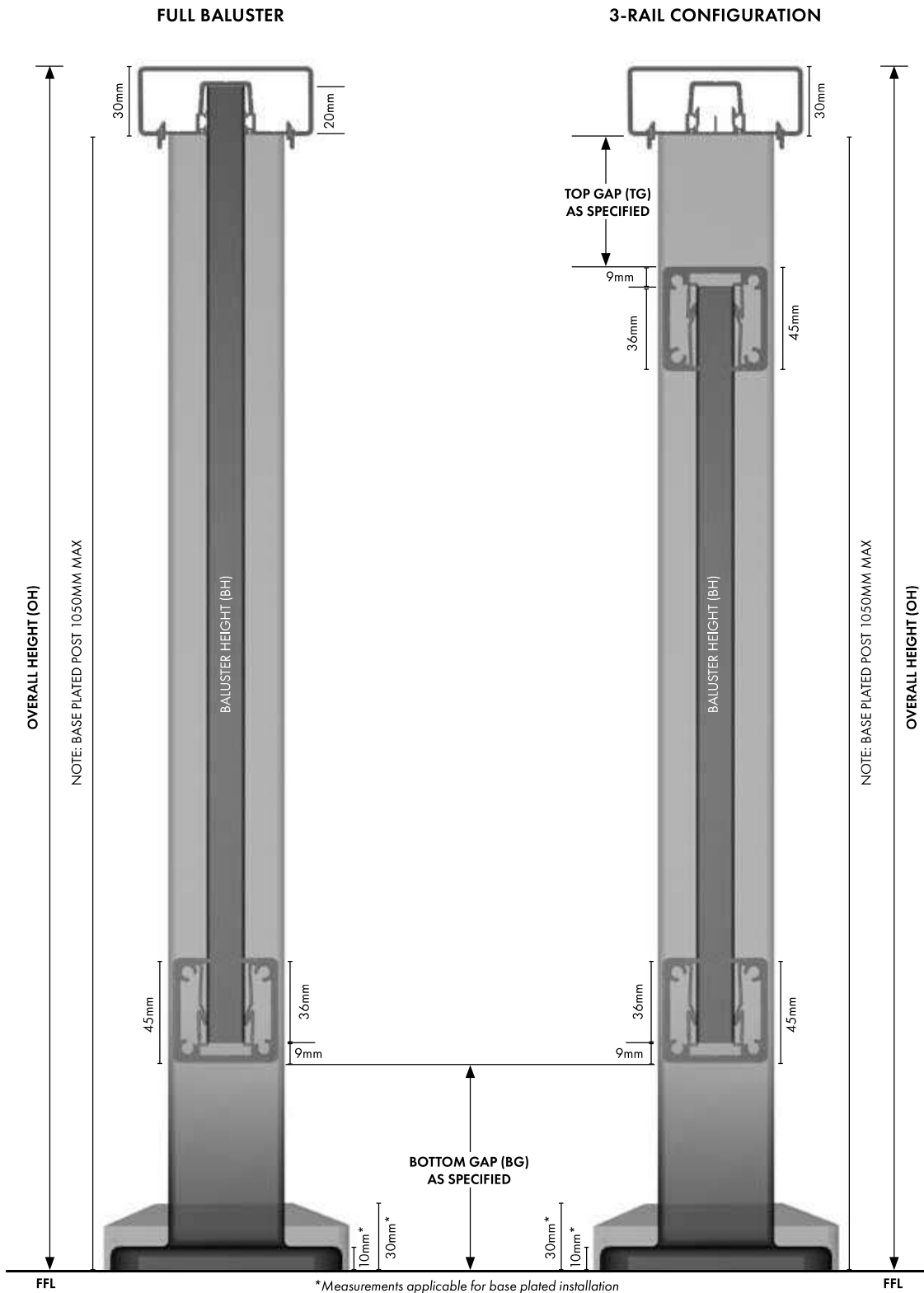
PAINT-W (White)

- Colour match touch up paint





FABRICATION OVERVIEW



BALUSTER HEIGHT (BH) =
Overall Height (OH) – Bottom Gap (BG) – 19MM
BH = OH – BG – 19MM

BALUSTER HEIGHT (BH) =
Overall Height (OH) – Bottom Gap (BG) – Top Gap (TG) – 48MM
BH = OH – BG – TG – 48MM



NOTE – Select finish code:
(EG AR-1050-FPBP-B for black)



BLACK



MONUMENT



WHITE



MILL

25
order codes

Order Code	Description	Colours
AR-1050-FPBP-B/M/MN/W	1050mm high – 50x50mm post with weld on 100x100mm base plate	
AR-5800-FP-B/M/MN/W	5800mm long – 50x50mmx3.2mm full post	
AR-5600-PB-B/M/MN/W	5600mm long – 16.5 x 16.5 x 1.4mm baluster	
XP-6100-S65-B/M/MN/W	6100mm long – 65 x 16.5mm slat baluster	
AW-5800-S65-KWI/WRC	5800mm long – 65 x 16.5mm slat baluster – timber image finish	
A50-5800-RHR-B/M/MN/W	5800mm long rectangular handrail with undercapping rail	
A50-5800-OHR-B/M/MN/W	5800mm long oval handrail with undercapping rail	
AR-5800-BR-B/M/MN/W	5800mm long – Bottom rail	
AR-3250-INS-16-B/M/MN/W	3250mm long – Bottom rail insert for 16.5mm square pickets	
AR-3214-INS-16RA-B/M/MN/W	3214mm long – Raked bottom rail insert for 16.5mm square pickets	
AR-3022-INS-65-B/M/MN/W	3022mm long – Bottom rail insert for 65 x 16.5mm vertical slat	
AR-3175-INS-65RA-B/M/MN/W	3175mm long – Raked bottom rail insert for 65 x 16.5mm vertical slat	
AR-SPACER-93MM-B/M/MN/W	93mm wide top spacer for 16.5 x 16.5mm picket balustrade	
AR-SPACER-65MM-B/M/MN/W	65mm wide top spacer for 65 x 16.5mm vertical slat balustrade	
A50-1400-INF-B/M/MN/W	1400mm long aluminium infill/spacer	
AR-PLATE-B/M/MN/W-2PK	Mounting plate for bottom rail – 2 pack	
AR-RK-PLATE-B/M/MN/W-2PK	Mounting plate for bottom rail (Raked) – 2 pack	
A50-ECA-R-B/M/MN/W	75 x 30mm rectangular end cap	
A50-BRACKET-R-B/M/MN/W-2PK	143 x 35mm rectangular handrail offset bracket	
A50-ECA-O-B/M/MN/W	75 x 30mm oval end cap	
A50-BRACKET-O-B/M/MN/W-2PK	142 x 35mm oval handrail offset bracket	
A50-WP-B/M/MN/W	Wall plate (attaches to undercapping rail)	
XP-DC-2P-B/M/MN/W	106 x 106mm two part domical cover	
XP-DR-B/M/MN/W	100 x 100mm dress ring	
AR-SCR-BAL-100PK	8g x 15mm picket/baluster screw with square drive head – 100 pack	
AR-SCR-BR-50PK/B/W	12g x 25mm panhead screw with square drive head – 50 pack	
XP-SCREWS-B/M/MN/W	Self drilling wafer screws – 100 pack	
CSK-12GX50-50PK	12g x 50mm long countersunk screws – 50 pack	
DB-PH3	Phillips #3 driver bit	
DB-SQ3.4	Square head driver bit	
PAINT-B/MN/W	Touch up paint	