



**POOL &
BALUSTRADE
SPIGOTS**

(07) 5493 9779

WWW.BLITZGLASS.COM.AU

MADRID POOL SS2205

Designed specifically for pool fencing load requirements, the Madrid pool spigot range is the ultimate in quality at an unbelievable price point.



Madrid pool spigot

FRICION FIT

Polish, satin or matt black finish

Order Code:

Core drill: POOLMAD-S-P (Polish)

POOLMAD-S-S (Satin)

POOLMAD-S-B (Matt Black)

Base plated: POOLMAD-SBP-P (Polish)

POOLMAD-SBP-S (Satin)

POOLMAD-SBP-B (Matt Black)

- Duplex stainless steel 2205
- Designed for pool fencing load requirements while keeping price point in mind
- Contemporary tapered top to comply with 'no toe hold' requirements
- Base plate has 4x countersunk holes to enable flush fixing
- Use with standard Madrid dress rings and domical cover
- 45mm front profile
- Earthing terminal included
- Recessed friction plate provides a neat finish and easy installation
- M10 bolt at bottom of core drill spigot allows for height adjustment and adds extra anchoring strength



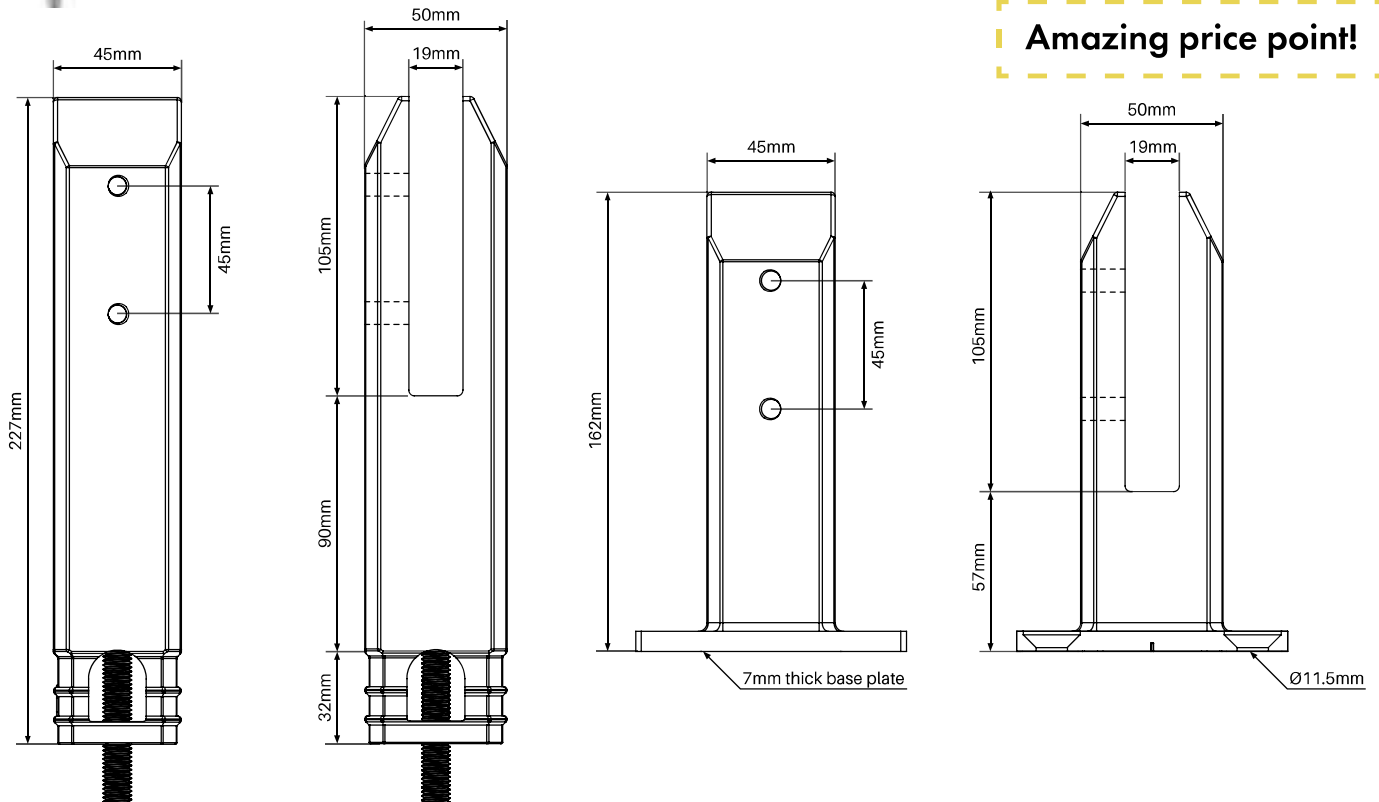
Notched base plate for centre line alignment



Handy earthing terminal on core drill & base plated spigots

See page 20-21 for dress ring and domical cover options

Amazing price point!



MADRID RANGE SS2205

Stainless steel 2205 is a superior duplex stainless steel which features elevated levels of chemical components enabling superior strength and corrosion resistance in harsh marine environments. The Madrid range has been designed with superior strength and a slimline profile.



Core drill spigot

FRICION FIT

Polish, satin or matt black finish

Order Code: MAD-S-P (Polish)

MAD-S-S (Satin)

MAD-S-B (Black)

- Duplex stainless steel 2205 - designed for superior strength
- Square shape with minimal visible fixings
- Modern 45mm front profile
- M10 bolt at bottom enables up to 60mm of vertical height adjustment, a contact point for earthing, and extra anchoring in footings (helpful when working with sand)
- Recessed single friction plate for neat finish & easy installation
- Tapered packer included (1mm to 1.5mm) to enable tilt adjustment of glass

Optional extras



Flat dress ring

100mm x 100mm outer

Polish, satin or matt black finish

Order Code: MAD-DR-P

MAD-DR-S

MAD-DR-B



Raised dress ring

100mm x 100mm outer

Polish, satin or matt black finish

Order Code: MAD-DR-RAISED-P

MAD-DR-RAISED-S

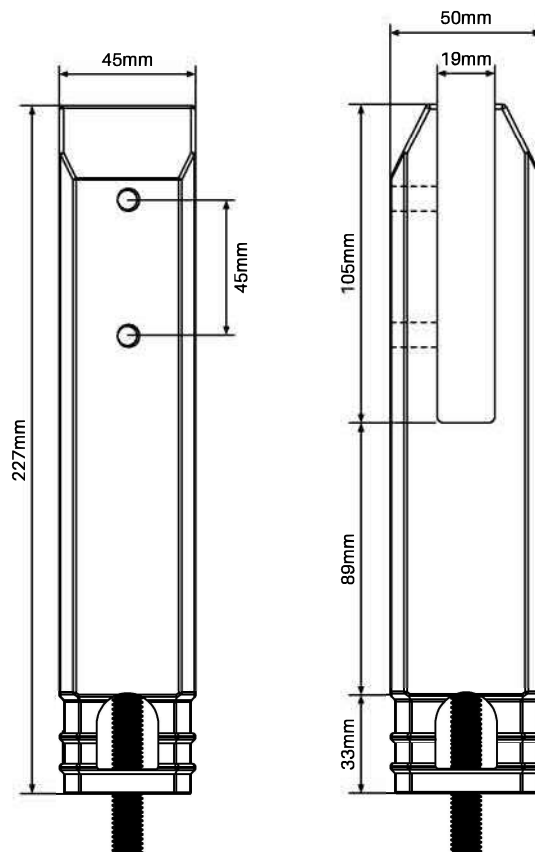
MAD-DR-RAISED-B



Highest quality finish

The Madrid matt black spigots use genuine Akzo Nobel textured powder to provide the highly sought after matt black finish.

To ensure proper adhesion of powder to stainless steel, a special pre-treatment is undertaken whereby a thin, zirconium based conversion layer is applied to the stainless steel substrate. This special coating provides robust corrosion protection and enhanced paint adhesion.



NOTE: DRAWINGS ARE NOT TO SCALE

MADRID RANGE SS2205

The friction plate in the Madrid Range has been specially designed to provide maximum clamping action on the toughened glass. A stainless steel plate is moulded into the friction plate which is the entire width & height of the spigot mouth. This ensures maximum distributed clamping action.



Base plated spigot

FRICION FIT

Polish, satin or matt black finish

Order Code: **MAD-SBP-P** (Polish)
MAD-SBP-S (Satin)
MAD-SBP-B (Black)

- Duplex stainless steel 2205
- Contemporary tapered top to comply with 'no toe hold' requirements
- Base plate has 4x countersunk holes to enable flush fixing. Countersunk timber screw available (hex head drive)
- Modern square shape with minimal visible fixings
- Recessed single friction plate for neat finish & easy installation
- Tapered packer included (1mm to 1.5mm) to enable tilt adjustment of glass
- Structure of spigot maximises strength

Optional extras



Slimline domical cover

12mm high

Polish, satin or matt black finish

Order Code: **MAD-SDC-P**
MAD-SDC-S
MAD-SDC-B



High domical cover

22mm high

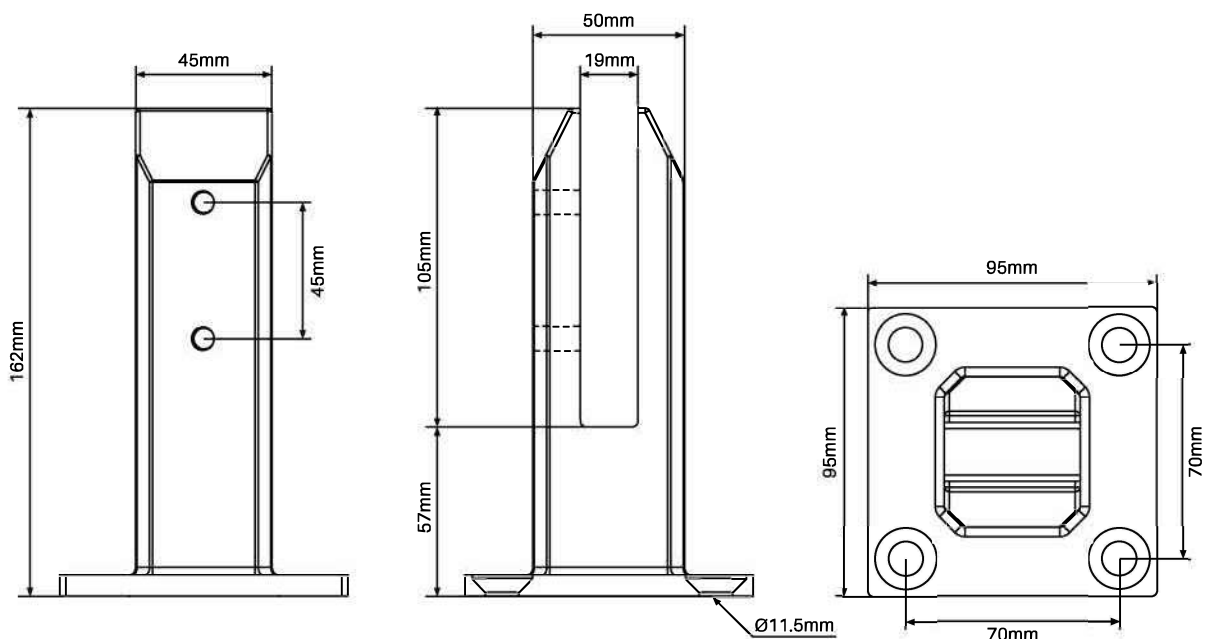
Polish, satin or matt black finish

Order Code: **MAD-HDC-P**
MAD-HDC-S
MAD-HDC-B

Consider when using dynabolts or high fixings & fasteners



See page 36 for convenient timber & concrete fixing kits for base plated installs



MADRID POOL EXTENDED SS2205

The Extended Pool Madrid spigot is ideal where extra depth is required for core drilling – for example, core drilling through pavers to concrete below.



extended body

Madrid pool spigot

FRICION FIT

Polish, satin or matt black finish

Order Code: POOLMAD-EXT-S-P (Polish)

POOLMAD-EXT-S-S (Satin)

POOLMAD-EXT-S-B (Black)

- Duplex stainless steel 2205
- Use with standard madrid dress rings
- 45mm front profile
- Earthing terminal included
- Recessed friction plate provides a neat finish and easy installation
- 285mm long plus M10 height adjustment bolt
- Ideal where deeper core drilling is required
- Designed for pool fencing load requirements while keeping price point in mind

Optional extras



Flat dress ring

100mm x 100mm

Polish, satin or matt black finish

Order Code:

MAD-DR-P

MAD-DR-S

MAD-DR-B



Raised dress ring

100mm x 100mm

Polish, satin or matt black finish

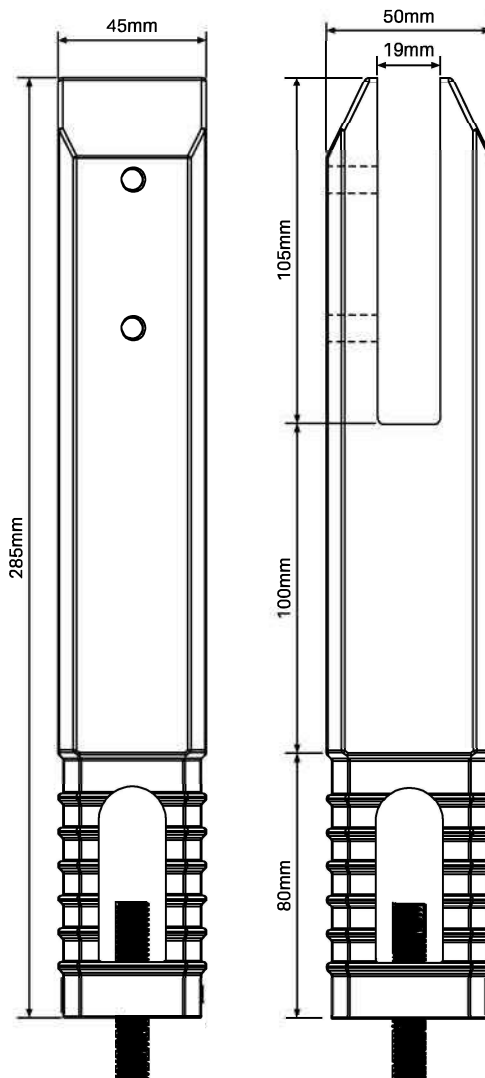
Order Code:

MAD-DR-RAISED-P

MAD-DR-RAISED-S

MAD-DR-RAISED-B

Installation example



Trade tip

With an overall height of 285mm plus an added height adjustment bolt, the extended pool madrid range is ideal where extra depth is required for core drilling



NOTE: DRAWINGS ARE NOT TO SCALE

MADRID FACE MOUNT SS2205

Innovative solution for face mounting of glass with no visible fixings. This spigot is ideal for out of ground pools which have a narrow top perimeter. Made from superior Duplex 2205 stainless steel ensuring strength and high corrosion resistance.



Face mount spigot

FRICION FIT

Polish, satin or matt black finish

Order Code: **MAD-FACEM-P (Polish)**

MAD-FACEM-S (Satin)

MAD-FACEM-B (Black)

- Duplex stainless steel 2205
- Slimline 45mm front profile
- Face mount installation - no need for core drill or base plated spigots
- 2x M12 fixing nuts included (M12 lag screw or threaded rod sold separately)
- Slotted fixing hole allows for easy positioning of fixings
- Cover plate hides fixings for neat finish
- Earthing terminal included
- Height adjustment packers and stand offs available - ideal where tile coping protrudes past slab edge
- Friction screws for clamping plate situated on inside of balcony/pool for easy install

See page 22 for our complete range of M12 fixings

Optional extras



Easily overcome height variances

Stackable packer

3mm thick

Polish, satin or matt black finish

Order Code:

MAD-FACEM-3PKR-P

MAD-FACEM-3PKR-S

MAD-FACEM-3PKR-B



Ideal for use when tile coping is present. Allows for positioning spigot away from edge

Ø38mm standoff

10mm thick

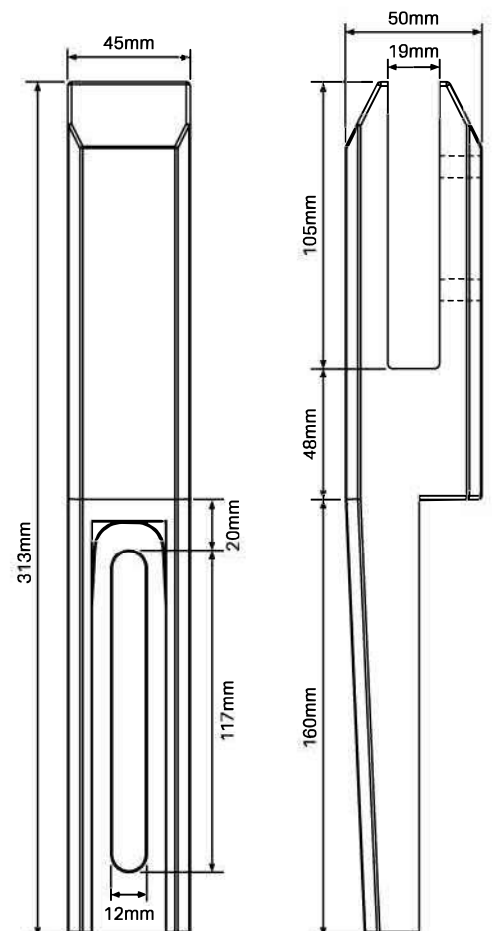
Polish, satin or matt black finish

Order Code:

MAD-FACEM-SO10-P

MAD-FACEM-SO10-S

MAD-FACEM-SO10-B



NOTE: DRAWINGS ARE NOT TO SCALE

MADRID TILT SS2205

NEW!

Madrid tilt spigot

FRICITION FIT

Polish, satin or matt black finish

Order Code: **MAD-TILT-S-P (Polish)**

MAD-TILT-S-S (Satin)

MAD-TILT-S-B (Black)

- Duplex stainless steel 2205
- Face mount spigot – fix to vertical surface of concrete, timber/steel beams or bearers
- 2 part spigot for easy install: (1) rear plate fixed to vertical surface (2) spigot attaches to rear plate with 2 x M8 counter sunk screws
- Tilt adjustable – innovative design allows for tilt adjustment by simply turning top and bottom M8 grub screws
- Glass alignment adjustability is a huge installation advantage
- Timber/beam fixing – 2 x fixing points in the rear plate for increased strength
- Concrete fixing - ideal for narrow slabs with 1 x sturdy M18 fixing
- Neat finish - slide in cover plate hides exposed screws on spigot front
- Earthing terminal included
- 3mm stackable horseshoe packers sold separately that can inserted behind rear plate to overcome uneven vertical surfaces



Stackable packer

BLACK HDPE
3mm thick

Order Code:
MAD-TILT-PKR

Fits between wall/beam and rear plate to overcome uneven surfaces. Horseshoe shape design allows easy installation

Optional extras



M18 fixing kit

SS304

1x M18x120mm threaded rod, 1x flat washer, 1x spring washer & 1x nut

Order Code:

MAD-TILT-M18KIT

Commonly used for concrete installations - single fixing ideal for narrow slabs



M12 fixing kit

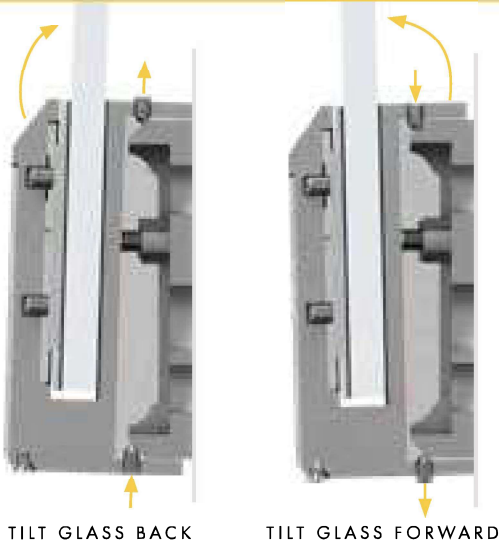
SS304

2x M12x93mm lag screws, 2x flat washers, 2x spring washers & 2x nuts

Order Code:

MAD-TILT-M12KIT

Commonly used for timber/beam fixing (M12 threaded rod may also be used with rear lock nuts as an alternative to lag screw timber/beam fixing - M12 threaded rod and rear fixing nut not included in MAD-TILT-M12KIT)



TILT GLASS BACK

TILT GLASS FORWARD

EASY TILT ADJUSTMENT

Innovative design - M8 pointed grub screw in top and bottom of spigot pushes onto 45 degree of rear plate allowing front spigot to tilt forward or back.

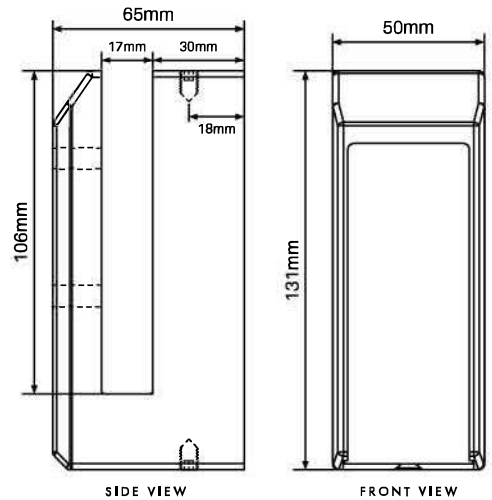
TILT GLASS
BACK

Unwind top M8 grub screw slightly and tighten bottom M8 grub screw to tilt glass back

TILT GLASS
FORWARD

Tighten top M8 grub screw and unwind bottom M8 grub screw slightly to tilt glass forward

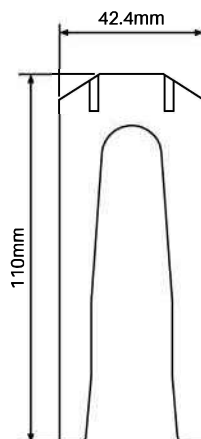
SPIGOT



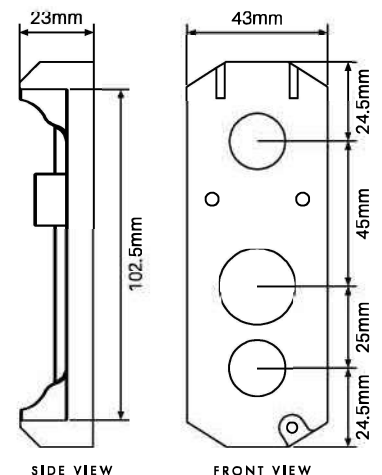
SIDE VIEW

FRONT VIEW

PACKER



REAR PLATE



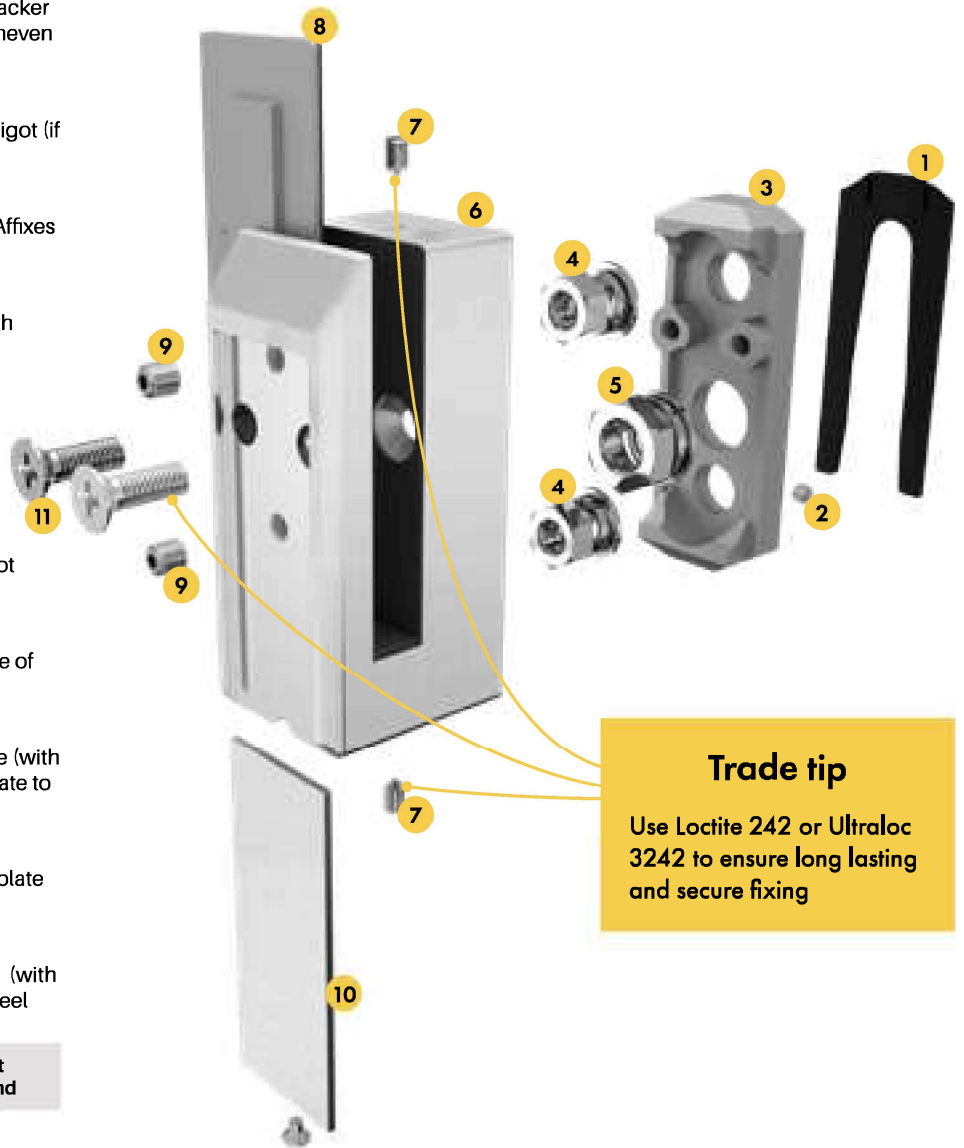
SIDE VIEW

FRONT VIEW

NOTE: DRAWINGS ARE NOT TO SCALE

MADRID TILT SS2205

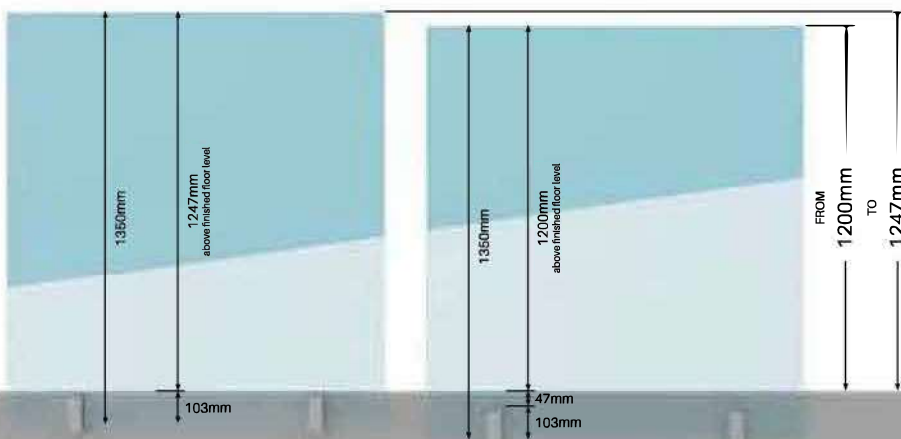
- 1 110mmH x 42.4mm W x 3mm Thick HDPE packer // Fit between wall/beam and back plate if uneven vertical surface. Stackable packer
- 2 M4 screw SS316 // Crimp earthing wire to spigot (if required) through dedicated earth wire hole
- 3 102.5mmH x 43mm W SS2205 rear plate // Affixes to vertical surface
- 4 M12 nut & washers SS304 (also supplied with 93mm long lag screws x 2 in kit) // Generally used for timber beam/joist installations
- 5 M18 nut & washers SS304 (also supplied with 120mm long M18 rod in kit) // Generally used for concrete installations
- 6 131mmH x 50mmW x 65mmD SS2205 spigot front // Attaches to rear plate
- 7 M8 pointed grub screw SS316 // Adjust angle of front spigot and lock off position
- 8 102.5mmH x 47.5mmW SS2205 friction plate (with 1mm HDPE preglued packer) // Clamping plate to hold 12mm toughened glass in position
- 9 M8 grub screw SS316 // Tightens clamping plate against toughened glass
- 10 108mmH x 42mmW x 1.5mm D SS316 plate (with countersunk M4 screw) // Slide in stainless steel plate to hide fixings once installed
- 11 M8 x 25mm countersunk screws SS316 x 2 // Attaches spigot front to rear plate



Trade tip
Use Loctite 242 or Ultraloc 3242 to ensure long lasting and secure fixing

Install note: To ensure plate can slide in, spigot must have 70mm or more gap from floor/ground

MADRID TILT INSTALL TIPS



Top of Madrid Tilt spigot in line with finished floor level

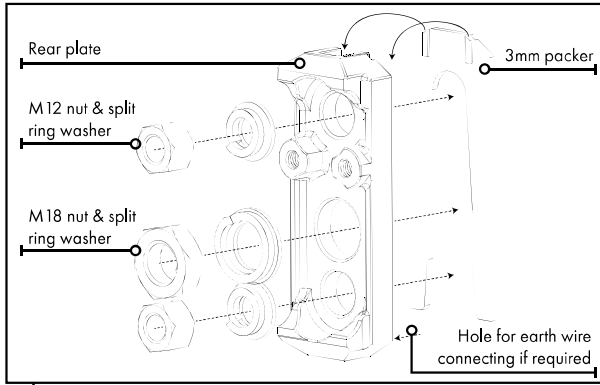
Top of Madrid Tilt spigot 47mm below finished floor level

USING 1350MM HIGH CLEAR TOUGHENED POOL FENCING PANELS
See pages 58-59 for our range of 1350mm high pool fencing panels

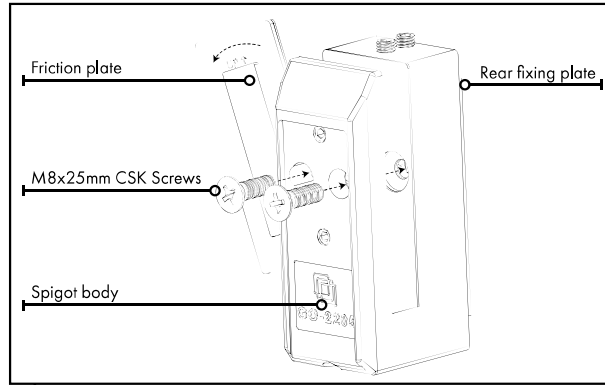
47mm vertical adjustability
by moving install position of Madrid Tilt spigot



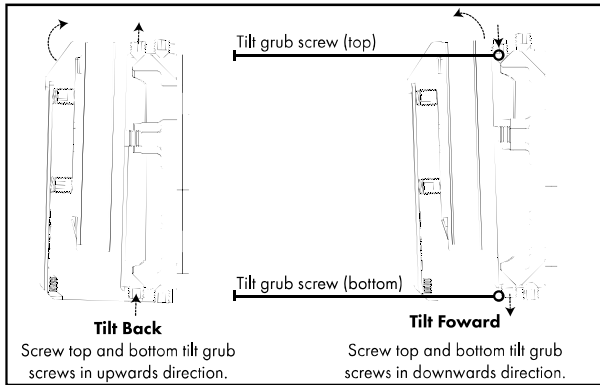
MADRID TILT ADJUSTMENT INSTALLATION



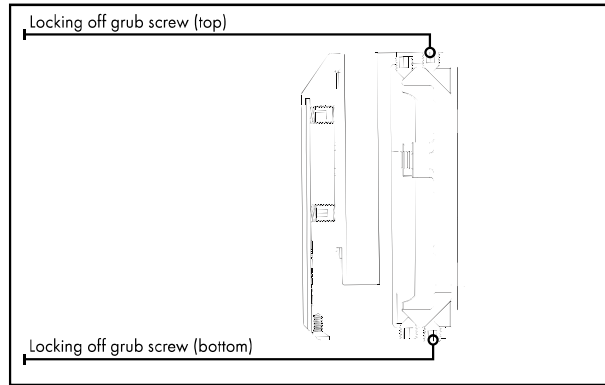
- Secure the rear plate to substrate. Ensure rear plate installed with word 'TOP' facing upwards.
Use appropriate fixing depending if steel, concrete, timber or other substrate.
Fix rear plate using either (a) top & bottom holes with M12 rod/lag screw or (b) middle hole with M18 rod. Do not fix using all 3 holes.
Multiple 3mm packers may be used to space rear plate from mounting wall in cases of over hanging lips etc.
For the M18 and M12 holes, plastic bushes are provided. For each type, select between an offset bush and standard round bush. The offset bush can be rotated for height adjustment.
Install Note: Central M18 rod to be used only for pool fencing. For balustrate installation always use 2 x M12 fixings per spigot.



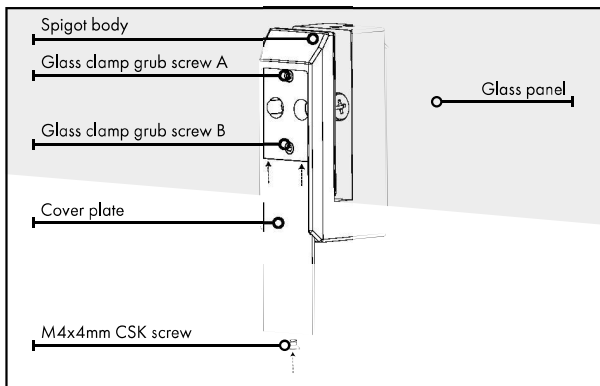
- Remove friction plate from spigot body. Insert 2x M8x25mm counter sunk screws through holes in front and into back holes locating into threaded bosses in rear plate.
Tighten M8x25mm counter sunk screws, securing the spigot front to rear plate.
Use Loctite 242 or Ultraloc 3242 to ensure long lasting and secure fixing.
Replace friction plate to spigot.



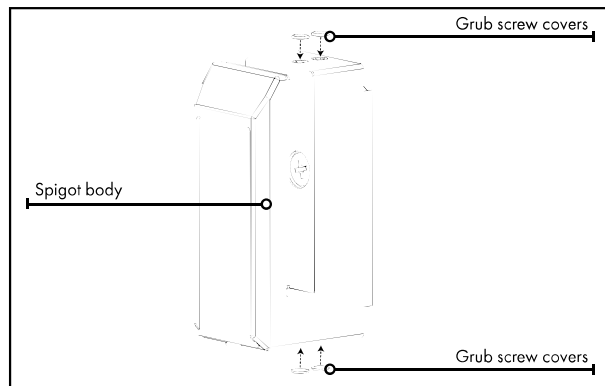
- Before installing glass, use a spirit level to adjust spigot to vertical position. Recommended to use a string line from first to last spigot in alignment to ensure all spigots are level.
Use the shown tilt grub screws on the top and bottom to tilt the spigot forward or back. Lock off grub screws (refer 3B) should be loosened off at this stage.
Install note: Shorter M8 grub screws included in case of large angle adjustments causing existing grub screw to protrude. Replace with shorter M8 grub screw as required.



- Once spigot is level use locking off grub screws (top and bottom) to secure spigot in position.
Ensure grub screws are tightly affixed.



- Install 12mm thick glass into spigot and tighten glass clamp grub screws A and B.
Install cover plate by sliding upwards into recess at front of spigot.
Secure cover in place with 1 x M4x4mm counter sunk screw.
Install note: To ensure cover plate can slide into position, the spigot must have a 70mm minimum gap to floor/ground.



- Adhere grub screw covers with silicone.

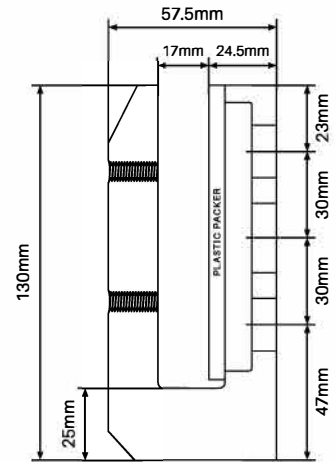
BEWARE OF ELECTRICAL WIRING PRIOR TO DRILLING AND INSTALLING ANY FITTINGS

MADRID VERTICAL SS2205

Stylish and cost effective face mount spigot solution into timber or concrete



Available in custom finish
page 22 for info



Madrid Vertical spigot

FRICION FIT – WALL MOUNT CLAMP

Polish, satin or matt black finish

Order Code: MAD-VC-P (Polish)

MAD-VC-S (Satin)

MAD-VC-B (Black)

- Stainless steel 2205 in polish, satin and matt black finish
- Face mount spigot can be fixed to concrete, timber, beams or bearers
- A fast and easy alternative to glass standoffs
- Suits 12mm glass friction fit
- Ideal for narrow concrete slab installations with single central fixing
- Earthing terminal included for installations near waters edge
- Pool fencing and balustrade compliant. Contact us for load test reports
- Glass tilting HDPE packer tapered from 0.8mm to 1.3mm included to assist installation
- Eccentric rear bush included allows for vertical and horizontal adjustment when installing
- Fixing kits sold separately

Fixing kits & accessories



Madrid Timber/beam fixing kit

Order Code: MAD-M12KIT

- 2 x flat washers & 2 x spring washers
- 2 x nuts
- 1x 6.5mm thick packer
- ** M12 lag screw sold separately

See page 84 for our complete range of M12 fixings



Madrid Concrete fixing kit

Order Code: MAD-M18KIT

- Suits installation into concrete
- Use appropriate chemical anchor
- 1 x M18x120mm threaded rod
- 2 x flat washers & 2 x spring washers
- 2 x nuts
- 1x 6.5mm thick packer



Madrid Packers

Order Code: MAD-VC-PKR-4PK

- Use where uneven wall. Packer fits between wall and spigot to pack out
- 2.5mm thick black HDPE
- Stackable (provides increments of 2.5mm)
- Horse shape allows easy insertion
- Pack of 4



Madrid Adjustable Angle Packers

Order Code: MAD-VC-PRADJ-4PK

- Tapered packer from 1.5mm to 2.5mm
- Allows tilt adjustment. Packer fits between wall and spigot
- Tilt packer can be installed at top or bottom of spigot – allows spigot tilting inwards or outwards
- Black HDPE
- Stackable (provides increments of 1.5mm)
- Horse shape allows easy insertion
- Pack of 4



Soudafix CA1400 Chemical anchor 280mL

Order Code: SOUD-CA1400

- High performance, two-component chemical anchoring resin for the pressure-free securing of anchoring rods, studs, threaded collars etc
- Easy to use and apply
- Fast cure (20°C=45min full cure; 30°C=25min full cure)
- Vinyl ester styrene free
- Can be used in damp concrete
- Apply with standard caulking gun

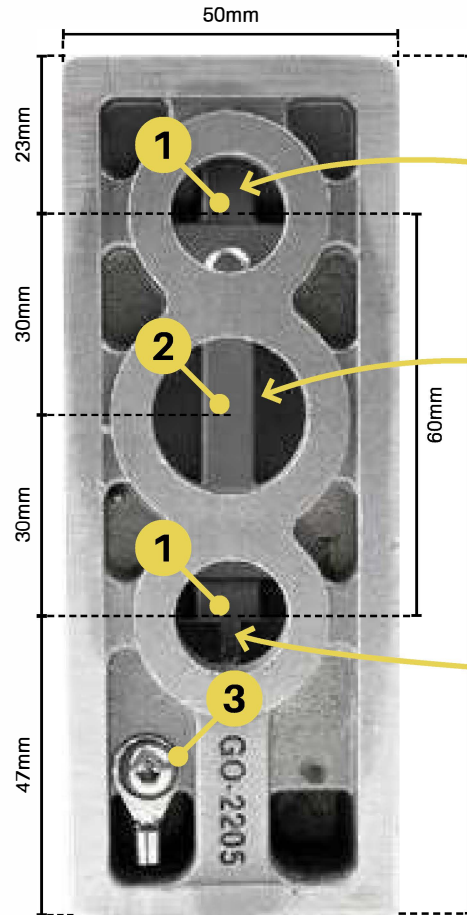
MADRID VERTICAL SS2205

Madrid vertical dimensions and install features

1 Top and bottom hole – use with M12 lag screws or threaded rod for timber or joist fixing. Spigot comes with eccentric bush which allows adjustment up/down and sideways when installing

2 Middle hole for concrete/slab installations comes with eccentric bush which allows adjustment up/down and sideways when installing

3 Earthing terminal provided for installations near water's edge

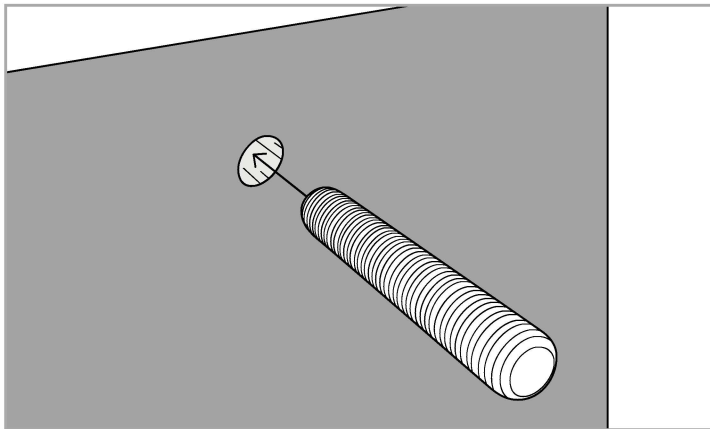
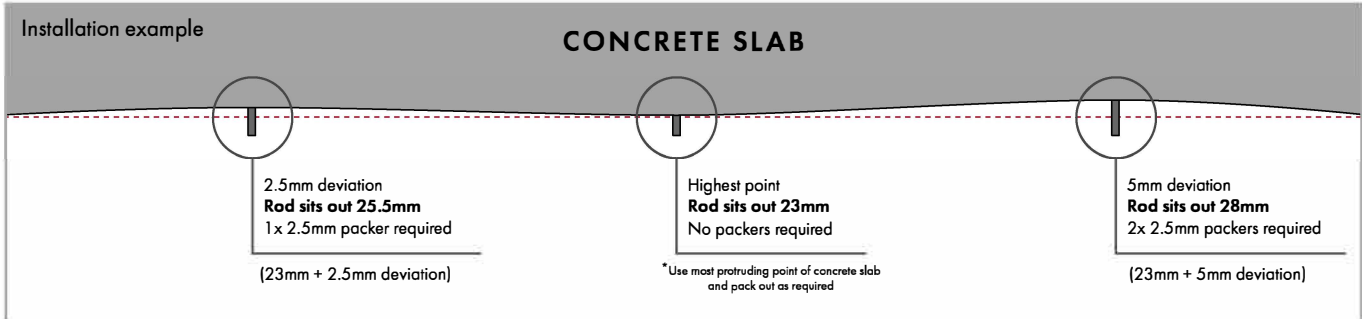


Eccentric bushes can be rotated inside holes to achieve vertical or horizontal adjustment

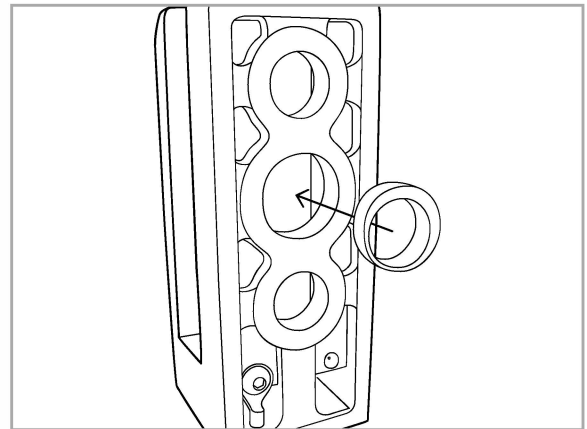


MADRID VERTICAL CONCRETE INSTALL GUIDE

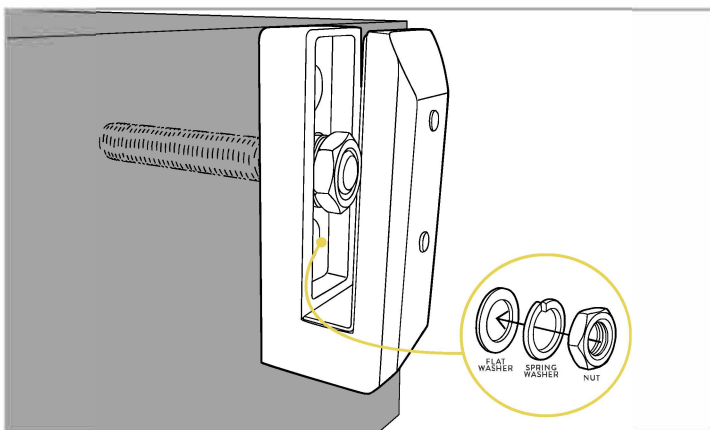
NOTE: Attach a stringline to the concrete surface from where the first clamp is being installed to where the last clamp is being installed and note any variance in slab deviation. Refer to below example for further information.



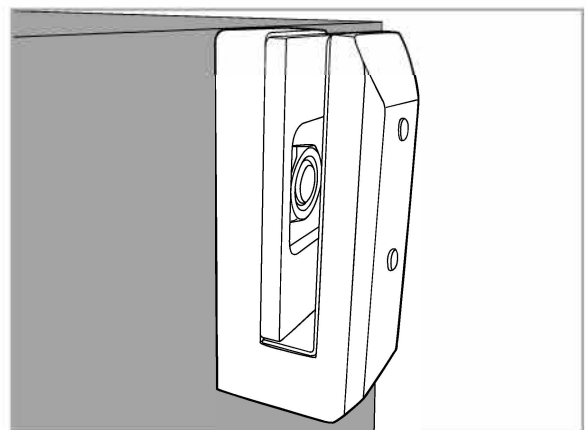
- 1** Core drill 20mm holes in concrete slab where spigots will be installed. Insert M18x120mm threaded rods into core holes and ensure rods are sitting out from the slab 23mm (or as required subject to diagram above). Chemically anchor rods into place.



- 2** Insert offset washer into centre hole on the back of the spigot. Discard other offset washers. The offset washer can be rotated inside centre hole to achieve vertical or horizontal adjustment.



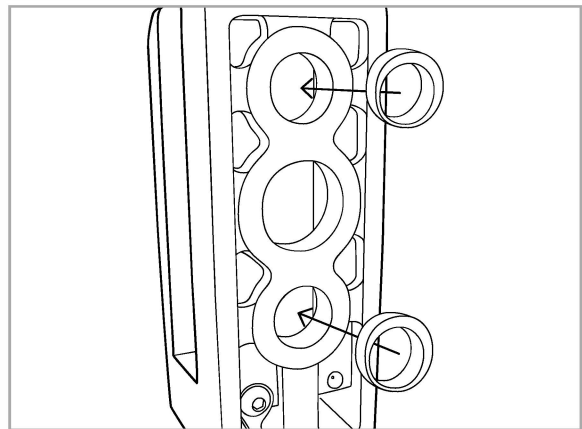
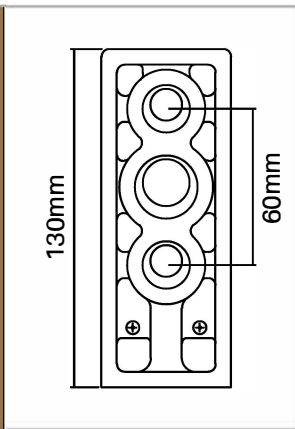
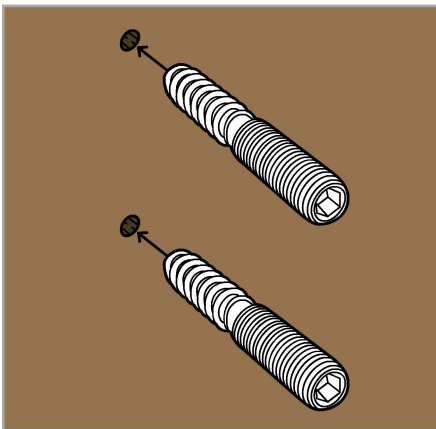
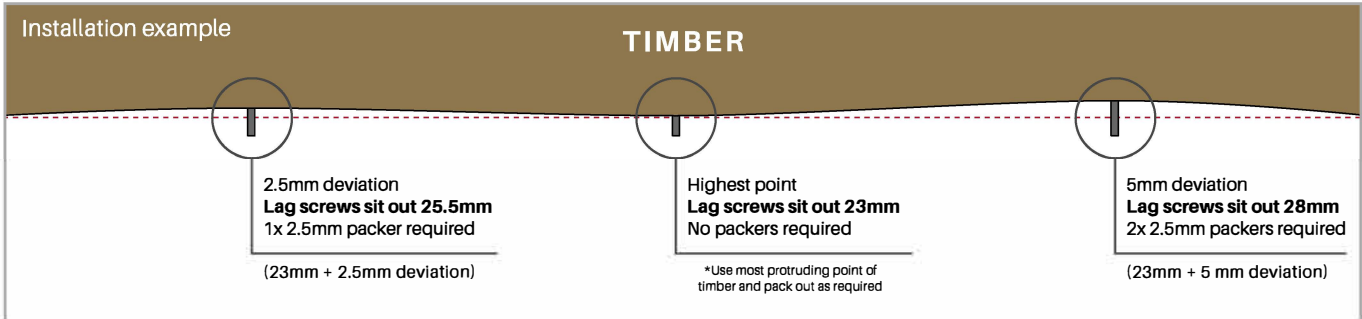
- 3** Slide spigot with offset washer onto threaded rod and tighten nut over flat washer and spring washer. (Nut requires 26mm open ended ring spanner to tighten)



- 4** Take 6.5mm packer with centre cutout, remove 2x pieces of double sided tape and fit inside throat of spigot over threaded rod.

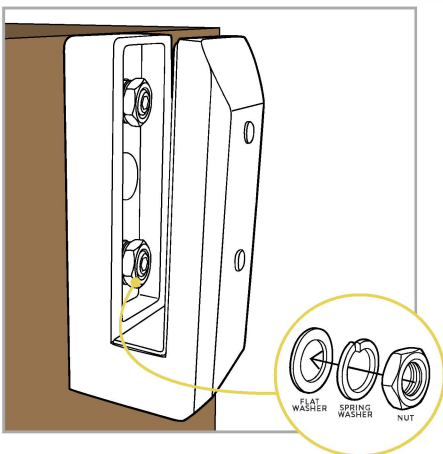
MADRID VERTICAL TIMBER INSTALL GUIDE

NOTE: Attach a stringline to the timber surface from where the first clamp is being installed to where the last clamp is being installed and note any variance in timber deviation. Refer to below example for further information.

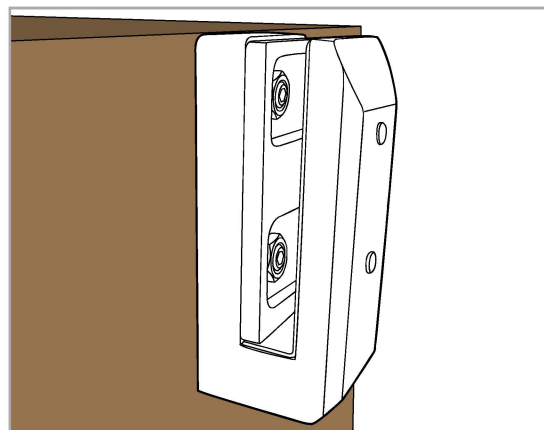


1 Pre-drill 2x pilot holes into timber where spigots will be installed (hole centres are 60mm). Drive 2x M12 lag screws into pilot holes and ensure thread is sitting out from the timber 23mm (or as required subject to diagram above).

2 Insert 2x offset washers into top and bottom holes on the back of the spigot. Discard large offset washer. The offset washers can be rotated inside top and bottom holes for vertical or horizontal adjustment.

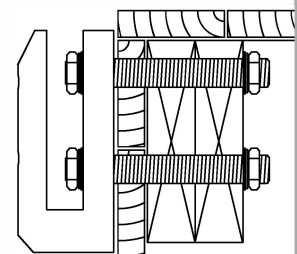


3 Slide spigot with offset washers onto lag screws and tighten nuts over flat washers and spring washers (Nut requires 19mm open ended ring spanner to tighten)



4 Take 6.5mm packer with 2x top and bottom cutouts, remove 2x pieces of double sided tape and fit inside throat of spigot over 2x lag screws with nuts.

Alternative install method



Perfect for beam or joist installation situations

Contact us for full install guide

*Please consult your engineer relating to questions of concrete suitability for installations as hardness of concrete may vary. For chemical anchor, refer to the manufacturer's specification of minimum embedment of anchor and hole diameter as specifications may differ between manufacturers. We are unable to give technical advice regarding substrates.

LIFESTYLE SQUARE RANGE SS2205

Made from superior strength duplex 2205 grade stainless steel, the Lifestyle square range provides the perfect mix of quality and strength. Innovatively designed recessed friction plates and patented double friction technology enables easy installation.



Core drill pool spigot

DOUBLE FRICTION

Polish, satin or matt black finish

Order Code: LS-DF-S-P (Polish)

LS-DF-S-S (Satin)

LS-DF-S-B (Black)

- Duplex stainless steel 2205
- Square shape with minimal visible fixings
- 45mm front profile
- Patented double friction technology allows for easy tilt adjustment and alignment of frameless glass panels
- Bottom M10 bolt provides up to 60mm of vertical height adjustment and extra anchoring in footings
- Recessed friction plates provide a neat finish and easy installation
- Structure of spigot maximises strength



Includes terminal for quick and easy earthing if required

Optional extras



Flat dress ring

100mm x 100mm outer

Polish, satin or matt black finish

Order Code: LS-DR-P

LS-DR-S

LS-DR-B



Raised dress ring

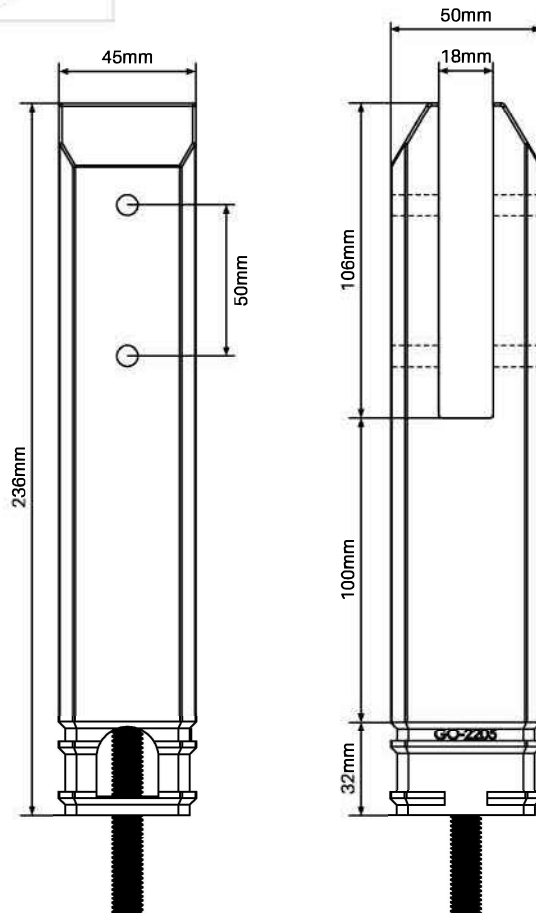
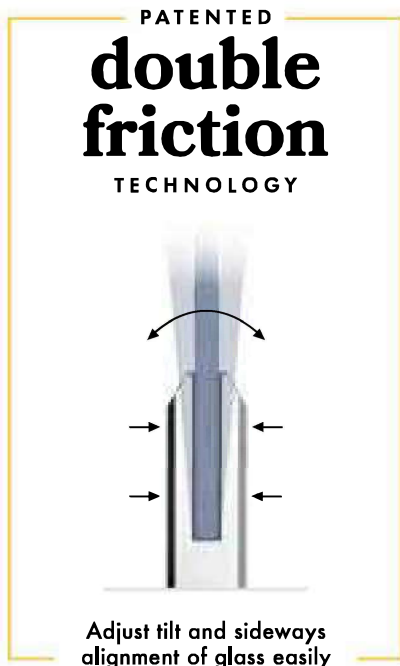
100mm x 100mm outer

Polish, satin or matt black finish

Order Code: LS-DR-RAISED-P

LS-DR-RAISED-S

LS-DR-RAISED-B



NOTE: DRAWINGS ARE NOT TO SCALE

LIFESTYLE SQUARE RANGE SS2205

Double friction technology really shines in our base plated spigots. In many instances, finished floors are not level which can cause issues for frameless glass installations. Double Friction spigots allow easy alignment of glass and importantly, easy adjustment in the future – commonly required for base plated installations on timber decks.



Base plated pool spigot DOUBLE FRICTION

Includes domical cover

Polish, satin or matt black finish

Order Code: **LS-DF-SBP-P** (Polish)

LS-DF-SBP-S (Satin)

LS-DF-SBP-B (Black)

- Duplex stainless steel 2205
- Slimline 45mm front profile
- Recessed double friction plates enable fast install plus tilt and sideways adjust of frameless glass
- Double friction technology saves installation time and allows ease of adjustability
- Multiple fixing points in base plate allow ease of install

Optional extras



Slimline domical cover

100mm x 100mm

Polish, satin or matt black finish

Order Code: **MAD-SDC-P**

MAD-SDC-S

MAD-SDC-B

12mm high domical cover

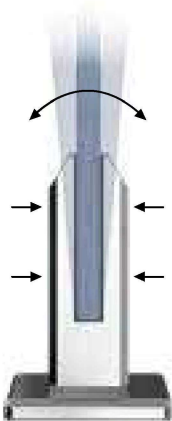
Consider if using countersunk fixings

Includes a 22mm high domical cover in the box

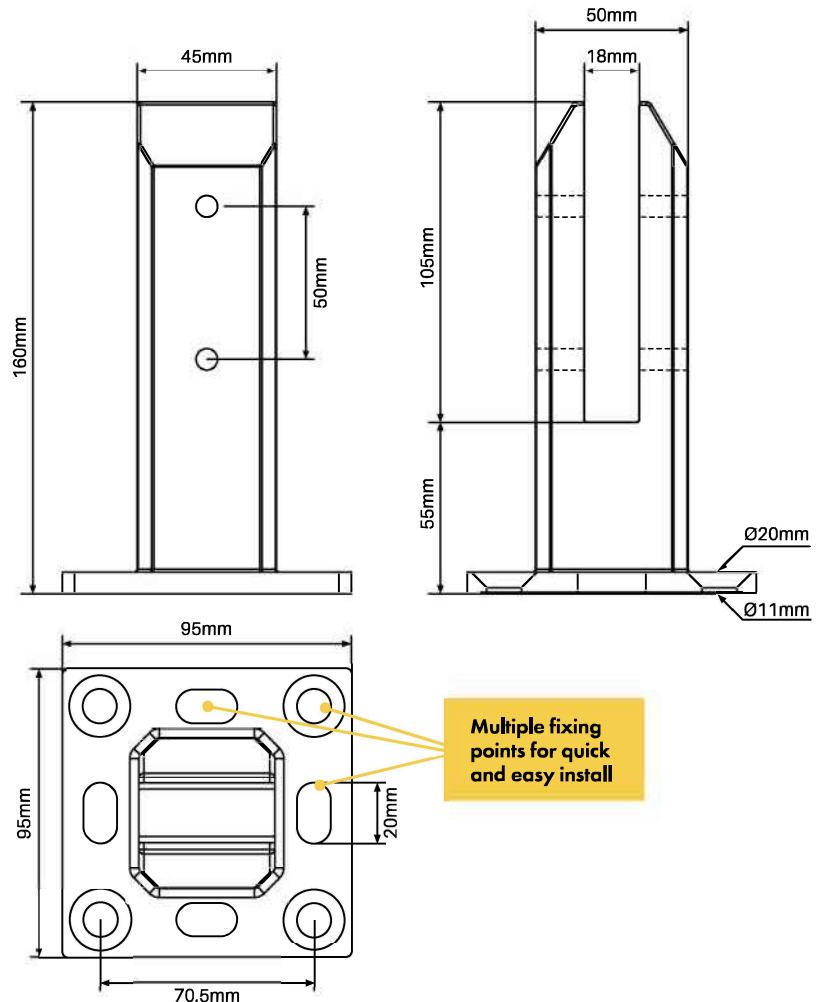


See page 36 for convenient timber & concrete fixing kits for base plated installs

PATENTED double friction TECHNOLOGY



Adjust tilt and sideways alignment of glass easily



LIFESTYLE ROUND RANGE SS2205

The Lifestyle round spigot offers the classic 50mm round profile and is complemented with the modern twist of patented double friction technology and duplex stainless steel 2205 providing a timeless spigot with innovative easy installation features.



Core drill pool spigot

DOUBLE FRICTION

Polish or satin finish

Order Code: LR-DF-S-P (Polish)

LR-DF-S-S (Satin)

- Duplex stainless steel 2205
- Stylish round shape
- Patented double friction technology allows for easy tilt adjustment and alignment of frameless glass panels
- Bottom M10 bolt provides up to 60mm of vertical height adjustment and extra anchoring in footings
- Recessed friction plates provide a neat finish and easy installation
- Structure of spigot maximises strength

Includes terminal for quick and easy earthing if required



Optional extras



Flat dress ring

Ø90mm outer

Polish or satin finish

Order Code: LR-DR-P

LR-DR-S



Domed dress ring

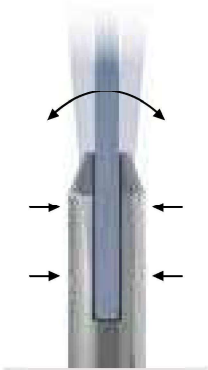
Ø102mm outer

Polish or satin finish

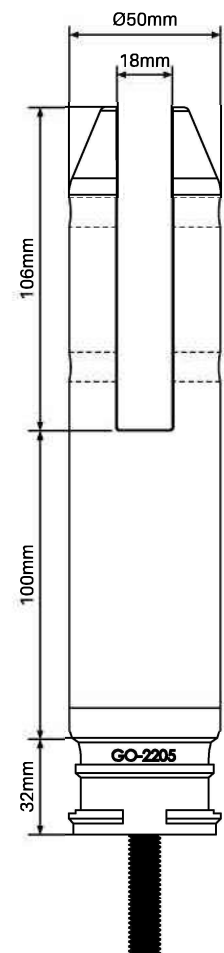
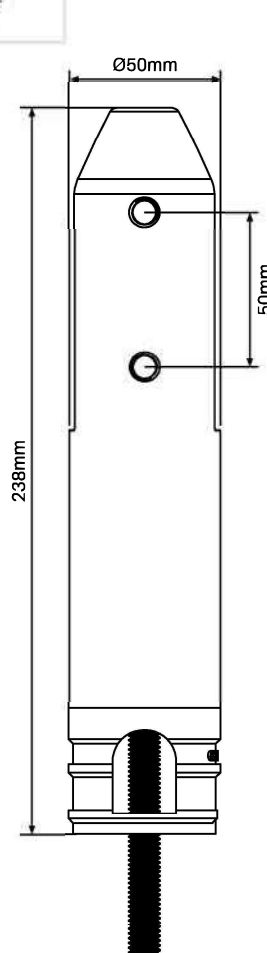
Order Code: RIO-SDC-P

RIO-SDC-S

PATENTED
double friction
TECHNOLOGY



Adjust tilt and sideways alignment of glass easily



NOTE: DRAWINGS ARE NOT TO SCALE

LIFESTYLE ROUND RANGE SS2205

Double friction technology really shines in our base plated spigots. In many instances, finished floors are not level which can cause issues for frameless glass installations. Double Friction spigots allow easy alignment of glass and importantly, easy adjustment in the future – commonly required for base plated installations on timber decks.



Base plated pool spigot

DOUBLE FRICTION

Includes domical cover

Polish or satin finish

Order Code: LR-DF-SBP-P (Polish)

LR-DF-SBP-S (Satin)

- Duplex stainless steel 2205
- 50mm diameter profile
- Recessed double friction plates enable fast install plus tilt and sideways adjust of frameless glass
- Double friction technology saves installation time due to ease of adjustability
- Multiple fixing points in base plate allow ease of install

Optional extras



12mm high domical cover

Consider if using countersunk fixings

Slimline domical cover

Ø102mm outer

Polish or satin finish

Order Code: RIO-SDC-P

RIO-SDC-S

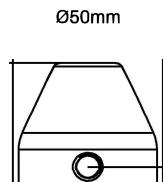


See page 36 for convenient timber & concrete fixing kits for base plated installs

Includes a 27mm high domical cover in the box



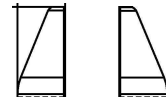
PATENTED
double friction
TECHNOLOGY



Ø50mm

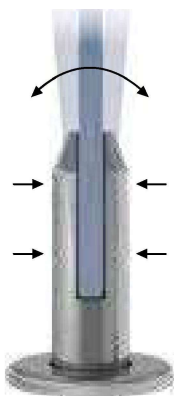
50mm

Ø50mm
18mm



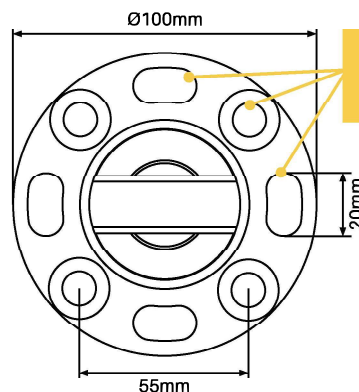
Ø6mm

6 mm

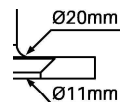


Adjust tilt and sideways alignment of glass easily

55mm



Multiple fixing points for quick and easy install



RIO RANGE SS2205

Stainless steel 2205 is a superior duplex stainless steel which features elevated levels of chemical components enabling superior strength and corrosion resistance in harsh marine environments. The Rio range has been designed with superior strength and a classic round profile.



Core drill spigot

FRICION FIT

Polish or satin finish

Order Code: RIO-S-P (Polish)

RIO-S-S (Satin)

- Duplex stainless steel 2205
- Stylish round shape designed for maximum strength
- M10 bolt at bottom enables up to 60mm of vertical height adjustment, a contact point for earthing, and extra anchoring in footings (helpful when working with sand)
- Recessed single friction plate for neat finish & easy installation
- Tapered packer included (1mm to 1.5mm) to enable tilt adjustment of glass

Optional extras



Flat dress ring

Ø90mm outer

Polish or satin finish

Order Code: RIO-DR-P

RIO-DR-S



Domed dress ring

Ø102mm outer

Polish or satin finish

Order Code: RIO-SDC-P

RIO-SDC-S

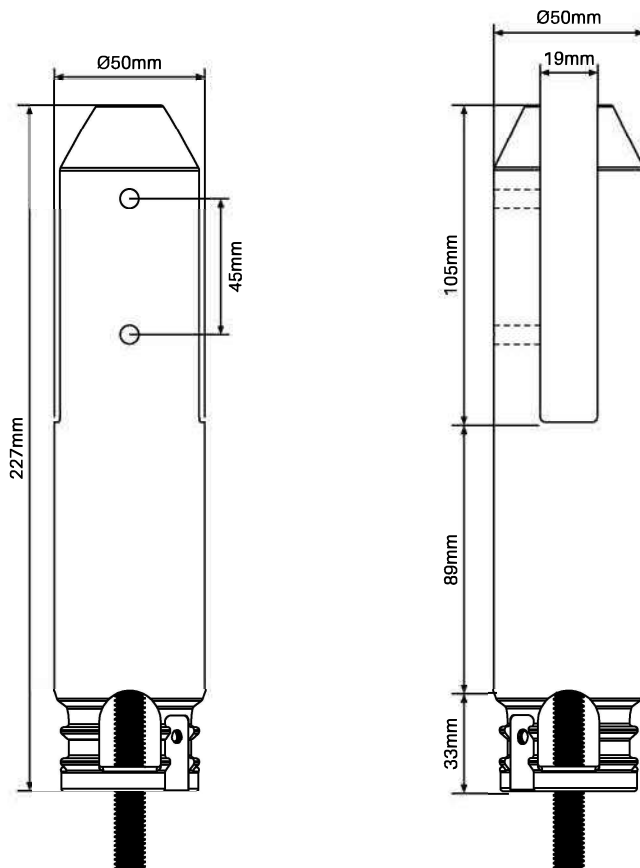


Did you know!

Stainless steel 2205 has far superior corrosion resistance properties and strength than SS316 grade.

This extra strength and corrosion resistance comes from the elevated levels of chromium, molybdenum and nitrogen.

It gets its name 'duplex stainless steel' as its microstructure is essentially half ferrite and half austenite.



RIO RANGE SS2205

Stainless steel 2205 is a superior duplex stainless steel which features elevated levels of chemical components enabling superior strength and corrosion resistance in harsh marine environments. The Rio range has been designed with superior strength and a classic round profile.



Base plated spigot

FRICION FIT

Polish or satin finish

Order Code: RIO-SBP-P (Polish)

RIO-SBP-S (Satin)

- Duplex stainless steel 2205
- Contemporary tapered top to comply with 'no toe hold' requirements
- Base plate has 4x countersunk holes to enable flush fixing. Countersunk timber screw available (hex head drive)
- Round shape with minimal visible fixings
- Recessed single friction plate for neat finish & easy installation
- Structure of spigot maximises strength
- Tapered packer included (1mm to 1.5mm) to enable tilt adjustment of glass

Optional extras



Slimline domical cover

Polish or satin finish

Order Code: RIO-SDC-P
RIO-SDC-S



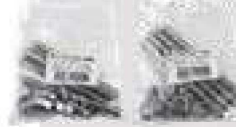
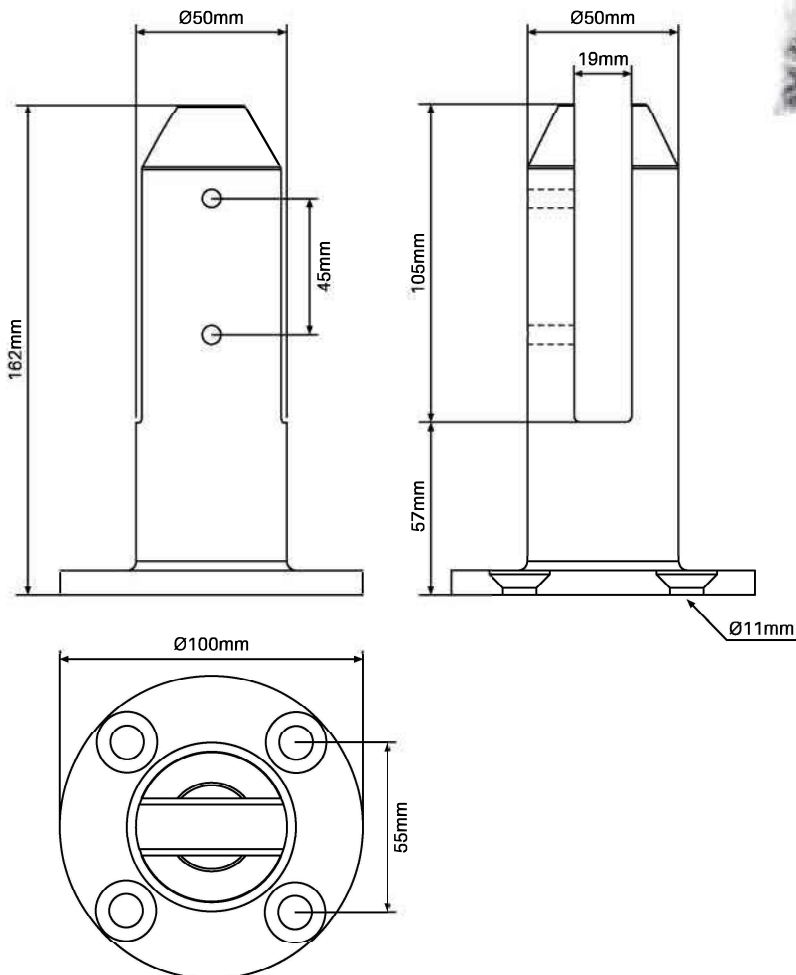
High domical cover

27mm high

Polish or satin finish

Order Code: RIO-HDC-P
RIO-HDC-S

Consider when using
dynabolts or high
fixings & fasteners



See page 36 for
convenient timber &
concrete fixing kits for
base plated installs

Friction spigot range

extended body

Pool Madrid range SS2205
Core drill & base plated



- Duplex stainless steel 2205
- Polish, satin or matt black finish
- Recessed friction plate for ease of installation
- Single friction
- Specifically designed for pool fence load requirements at an incredible price point

refer page 18

Pool Madrid range SS2205
Core drill



- Duplex stainless steel 2205
- Polish, satin or matt black finish
- Recessed friction plate for ease of installation
- Single friction core drill spigot
- Extended body ideal where extra depth required for pool fencing installations

refer page 19

Madrid range SS2205
Core drill & base plated



- Duplex stainless steel 2205
- Polish, satin or matt black finish
- Recessed friction plate for ease of installation
- Single friction
- Maximum strength

refer pages 20-21

Madrid tilt SS2205
Face mount



- Duplex stainless steel 2205
- Polish, satin or matt black finish
- Face mount installation
- Ideal for narrow width slabs
- Innovative tilt adjustment assists with aligning glass panels

refer page 28

Madrid vertical SS2205
Face mount



- Duplex stainless steel 2205
- Polish, satin or matt black finish
- Face mount installation
- Ideal for narrow width slabs
- Great price point

refer page 24

Madrid deluxe SS2205
Top fix



- Duplex stainless steel 2205
- Polish or satin finish
- Top fix installation
- Single central bottom hidden fixing
- Ideal for narrow beams or slabs
- No need for dress rings or base plate covers

refer page 32

Pool fencing compliant	Australia's largest range
Friction fits to 12mm glass	Easy to courier
Matching stainless steel accessories	Trade quality products



Custom finish Madrid spigots
Core drill, base plated & vertical



Customize our MADRID core drill, base plated and vertical spigots and matching covers with our new release MADRID CUSTOM range. Select from a large range of DULUX or INTER-PON powder coat finishes and create a truly unique frameless pool or balustrade.

refer page 22

Madrid face mount SS2205
Face mount



- Duplex stainless steel 2205
- Polish, satin or matt black finish
- Recessed friction plate for ease of installation
- Single friction
- Face mount with hidden fixings
- Ideal for narrow width slab installations
- Glass positioned above floor line

refer page 23

Lifestyle range SS2205
PATENTED DOUBLE FRICTION
Core drill & base plated



- Round and square spigots available
- Duplex stainless steel 2205
- Polish, satin or matt black finish
- Base plate has multiple fixing points for easy installation & domical cover included
- Double friction assists glass panel alignment

refer pages 36-39

Rio range SS2205
Core drill & base plated



- Duplex stainless steel 2205
- Polish or satin finish
- Recessed friction plate for ease of installation
- Single friction round profile

Versa-tilt Anodised Aluminium
Deck mount or face mount
Glass tilt adjustable



PATENTED PRODUCT
glass outlet exclusive

- Clear anodised internal aluminium channel to guard against corrosion
- Brushed satin or mill finish aluminium fixing covers
- Tilt adjustable glazing channel
- Pre-machined fixing holes in channel
- Deck or face mount options

refer pages 44-47

Spigot insulator

Core drill & base plated

- Simply sleeve over Madrid stainless steel core drill or base plated spigot prior to install or can be retrofitted after spigot install
- Made from ASA thermoplastic – excellent weather and chemical resistance and high impact strength
- Non-conductive material effectively insulates stainless steel spigots
- Black, silver or white finish

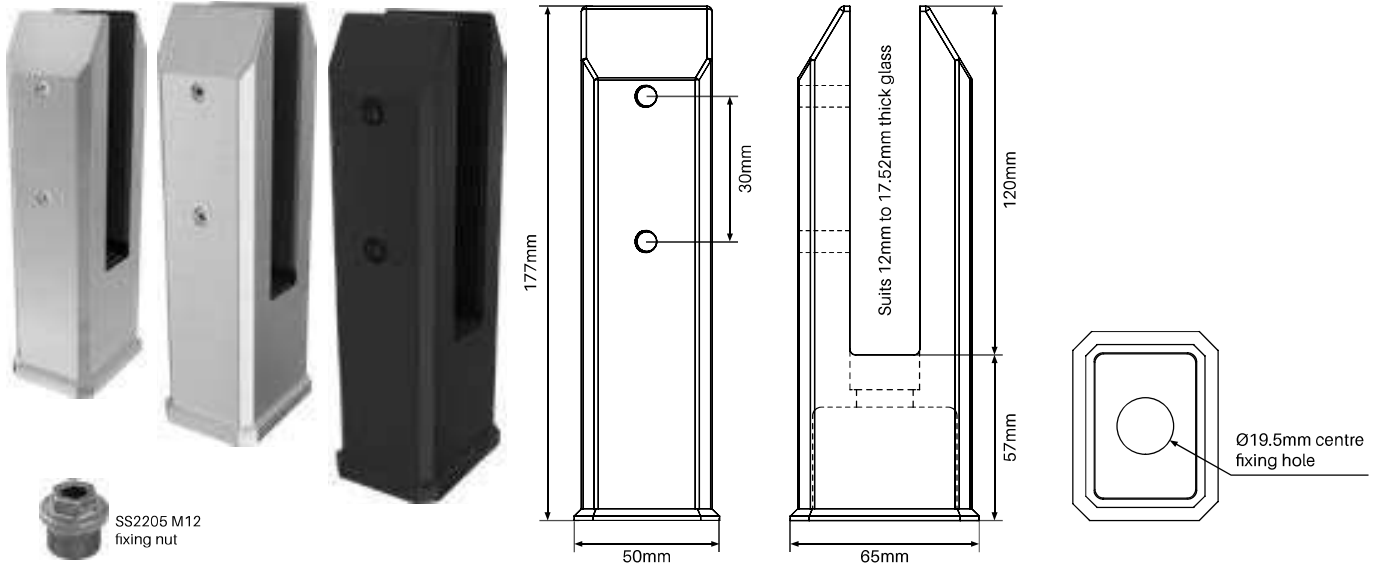
PATENTED PRODUCT
glass outlet exclusive

refer pages 48-49



MADRID DELUXE TOP FIX SS2205

Single central hidden fixing ideal for narrow beams or slab installations



Madrid Deluxe top fix clamp

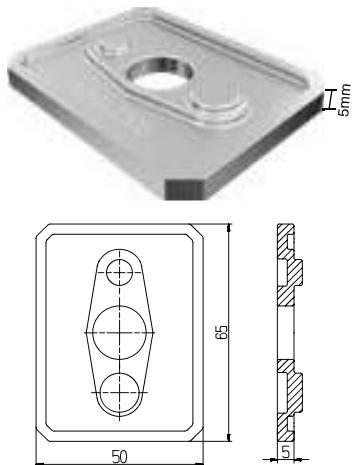
Polish, satin or matt black finish

Order Code: **MADDEL-TF-P (Polish)**

MADDEL-TF-S (Satin)

MADDEL-TF-B (Black)

- Stainless Steel 2205 spigot in polish, satin or matt black finish
- Top fix spigot installed with single central M12 fixing and specially machined nut
- Single central fixing ideal for narrow/PFC beams and slab installations
- No large core holes, or domical covers required
- 45mm front slimline profile x 65mm depth
- Suits 12mm up to 17.52mm glass
- Friction fit glass installation with recessed friction packer – no holes in glass required
- 120mm depth spigot mouth provides extra clamping strength and rigidity
- Internal packers included for glass panel alignment and tilt adjustment
- 5mm thick SS2205 height adjustment packer for uneven surfaces available in polish, satin and matt black finish (sold separately)



5mm height adjustment packer

Order Code: **MADDEL-TFPKR-P**
MADDEL-TFPKR-S
MADDEL-TFPKR-B

- SS2205 in polish, satin or matt black finish
- Sits under top fix spigot. Packers can be stacked on top of each other



115mm lag screw

M12 thread – SS304
Order Code: **GS115LAG**



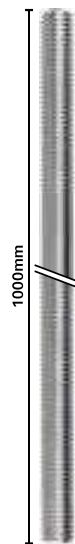
160mm lag screw

M12 thread – SS304
Order Code: **GS160LAG**



120mm threaded rod

M12 thread – SS304
Order Code: **GS120ROD**

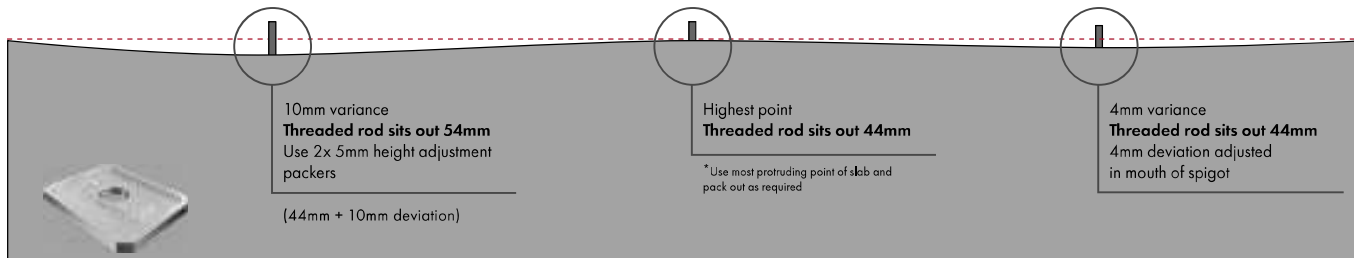


1000mm threaded rod

M12 thread – SS304
Order Code: **GS1000ROD**

MADRID TOP FIX CONCRETE INSTALL GUIDE

NOTE: Attach a stringline to the surface from where the first spigot is being installed to where the last spigot is being installed and note any variance in floor level. Refer to below example for further information.



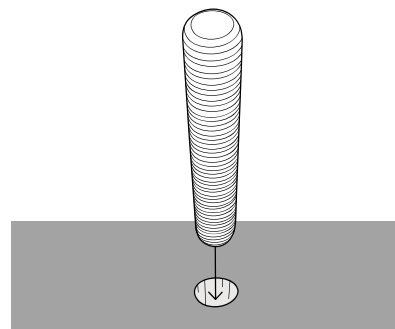
HEIGHT ADJUSTMENT GUIDE

For larger floor variances, continue same methodology

Floor variance	Adjustment required
1mm – 5mm	Adjust glass with packers in mouth of spigot. 5mm height adjustment of glass is possible in mouth of spigot
5.1mm – 10mm	Use 1x 5mm stainless packer and adjust glass with packers in mouth of spigot
10.1mm – 15mm	Use 2x 5mm stainless packer and adjust glass with packers in mouth of spigot
15.1mm – 20mm	Use 3x 5mm stainless packer and adjust glass with packers in mouth of spigot
20.1mm – 25mm	Use 4x 5mm stainless packer and adjust glass with packers in mouth of spigot

- 1 Drill 1x 14mm hole in concrete slab where spigot will be installed. Insert M12 threaded rod into the hole and ensure rod is protruding from the slab 44mm (or as required subject to diagram above). Chemically anchor rods into place.

Soudafix CA1400
Chemical anchor 280ml
Order Code: SOUD-CA1400
Refer page 24



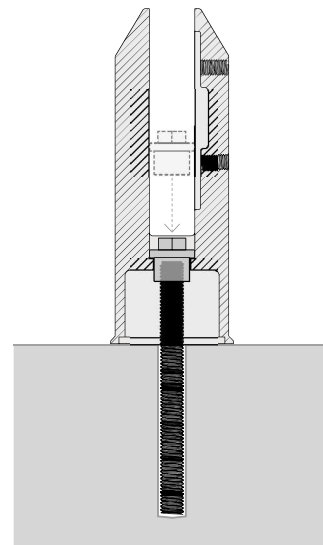
- 2 Place Madrid Top Fix Spigot down onto M12 fixing. Position machined nut into centrally located cavity in the spigot and tighten nut securely onto thread (It is always recommended to use Loctite on fixing threads). Ensure spigot is firmly and securely fastened down.

Trade tip!

Tilt adjustment and side to side adjustment packers are included with each spigot to assist in installation

Important!

Fixing nut suits 8mm hex drive or 14mm socket

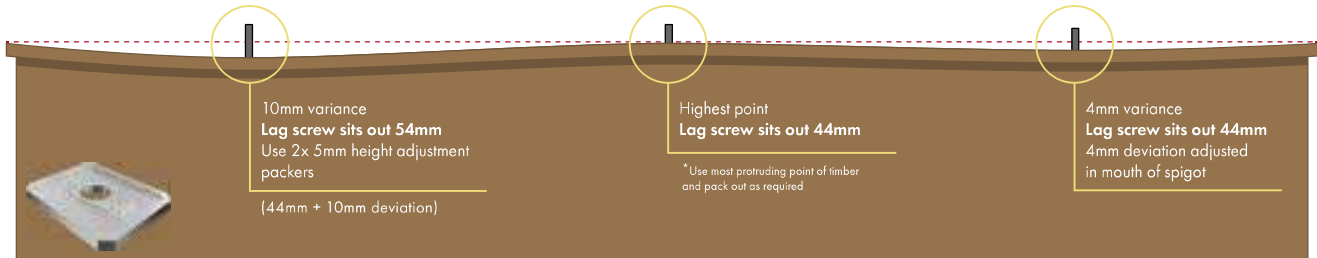


*Please consult your engineer relating to questions of concrete suitability for installations as hardness of concrete may vary. For chemical anchor, refer to the manufacturer's specification of minimum embedment of anchor and hole diameter as specifications may differ between manufacturers. We are unable to give technical advice regarding substrates.



MADRID TOP FIX TIMBER INSTALL GUIDE

NOTE: Attach a stringline to the surface from where the first spigot is being installed to where the last spigot is being installed and note any variance in floor level. Refer to below example for further information.

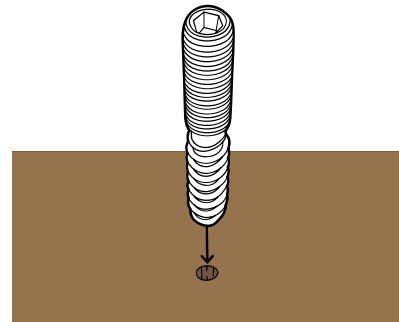


HEIGHT ADJUSTMENT GUIDE

For larger floor variances, continue same methodology

Floor variance	Adjustment required
1mm – 5mm	Adjust glass with packers in mouth of spigot <i>5mm height adjustment of glass is possible in mouth of spigot</i>
5.1mm – 10mm	Use 1x 5mm stainless packer and adjust glass with packers in mouth of spigot
10.1mm – 15mm	Use 2x 5mm stainless packer and adjust glass with packers in mouth of spigot
15.1mm – 20mm	Use 3x 5mm stainless packer and adjust glass with packers in mouth of spigot
20.1mm – 25mm	Use 4x 5mm stainless packer and adjust glass with packers in mouth of spigot

- 1 Pre-drill 1x pilot hole into timber where spigot will be installed. Drive M12 lag screw into pilot hole and ensure thread is protruding 44mm from timber (or as required subject to diagram above).



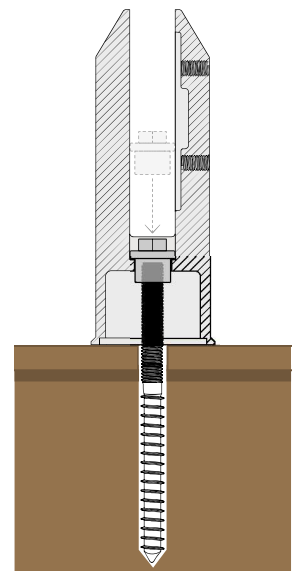
- 2 Place Madrid Top Fix Spigot down onto M12 fixing. Position machined nut into centrally located cavity in the spigot and tighten nut securely onto thread (It is always recommended to use Loctite on fixing nut thread) Ensure spigot is firmly and securely fastened down.

Important!

Fixing nut suits 8mm hex drive or 14mm socket

Trade tip!

Tilt adjustment and side to side adjustment packers are included with each spigot to assist in installation

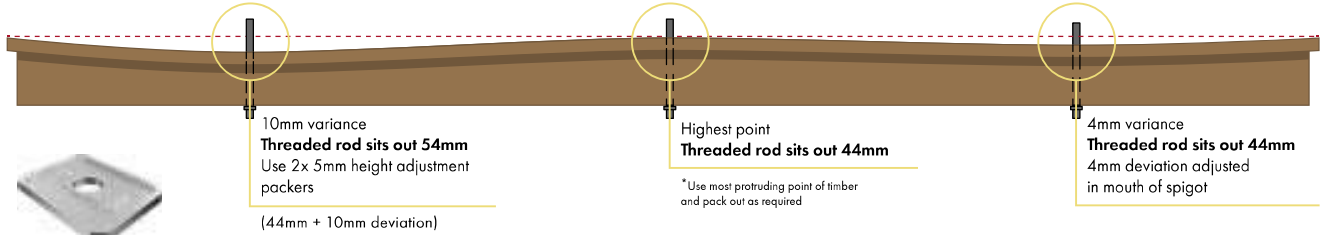


*Please consult your engineer regarding suitability and structural integrity of timber, steel or other beam/substrate. Timber hardness and strength varies and as each installation situation is different we are unable to provide technical advice regarding suitability of substrate.



MADRID TOP FIX JOIST/BEAM INSTALL GUIDE

NOTE: Attach a stringline to the surface from where the first spigot is being installed to where the last spigot is being installed and note any variance in floor level. Refer to below example for further information.

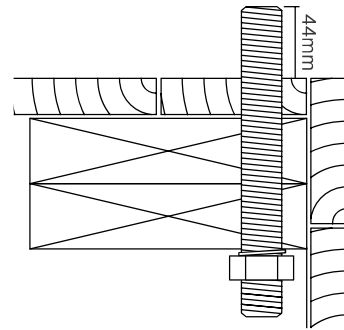


HEIGHT ADJUSTMENT GUIDE

For larger floor variances, continue same methodology

Floor variance	Adjustment required
1mm – 5mm	Adjust glass with packers in mouth of spigot 5mm height adjustment of glass is possible in mouth of spigot
5.1mm – 10mm	Use 1x 5mm stainless packer and adjust glass with packers in mouth of spigot
10.1mm – 15mm	Use 2x 5mm stainless packer and adjust glass with packers in mouth of spigot
15.1mm – 20mm	Use 3x 5mm stainless packer and adjust glass with packers in mouth of spigot
20.1mm – 25mm	Use 4x 5mm stainless packer and adjust glass with packers in mouth of spigot

- Pre-drill 1x 12.5mm or 13mm hole through joist/beam. Insert threaded rods and leave 44mm of thread protruding from top of joist/beam (or as required subject to diagram above). Ensure enough thread is left protruding from underneath the joist/beam for an M12 nut with spring washer to be affixed (purchase from nut & bolt shop).



- Place Madrid Top Fix Spigot down onto M12 fixing. Position machined nut into centrally located cavity in the spigot and tighten nut securely onto thread (It is always recommended to use Loctite on fixing nut thread) Ensure spigot is firmly and securely fastened down.

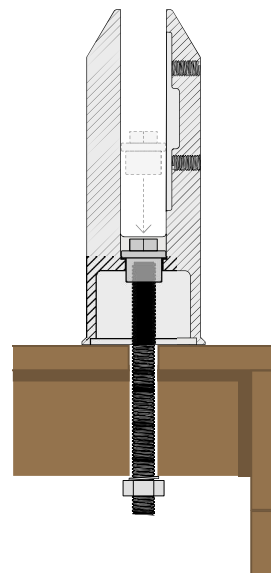
Important!

Fixing nut suits 8mm hex drive or 14mm socket



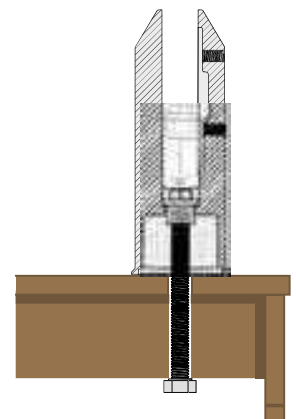
Trade tip!

Tilt adjustment and side to side adjustment packers are included with each spigot to assist in installation



Alternative install method

Contact us for full install guide



*Please consult your engineer regarding suitability and structural integrity of timber, steel or other beam/substrate. Timber hardness and strength varies and as each installation situation is different we are unable to provide technical advice regarding suitability of substrate.

