

---

# VERTICAL BATTENS

---



**(07) 5493 9779**

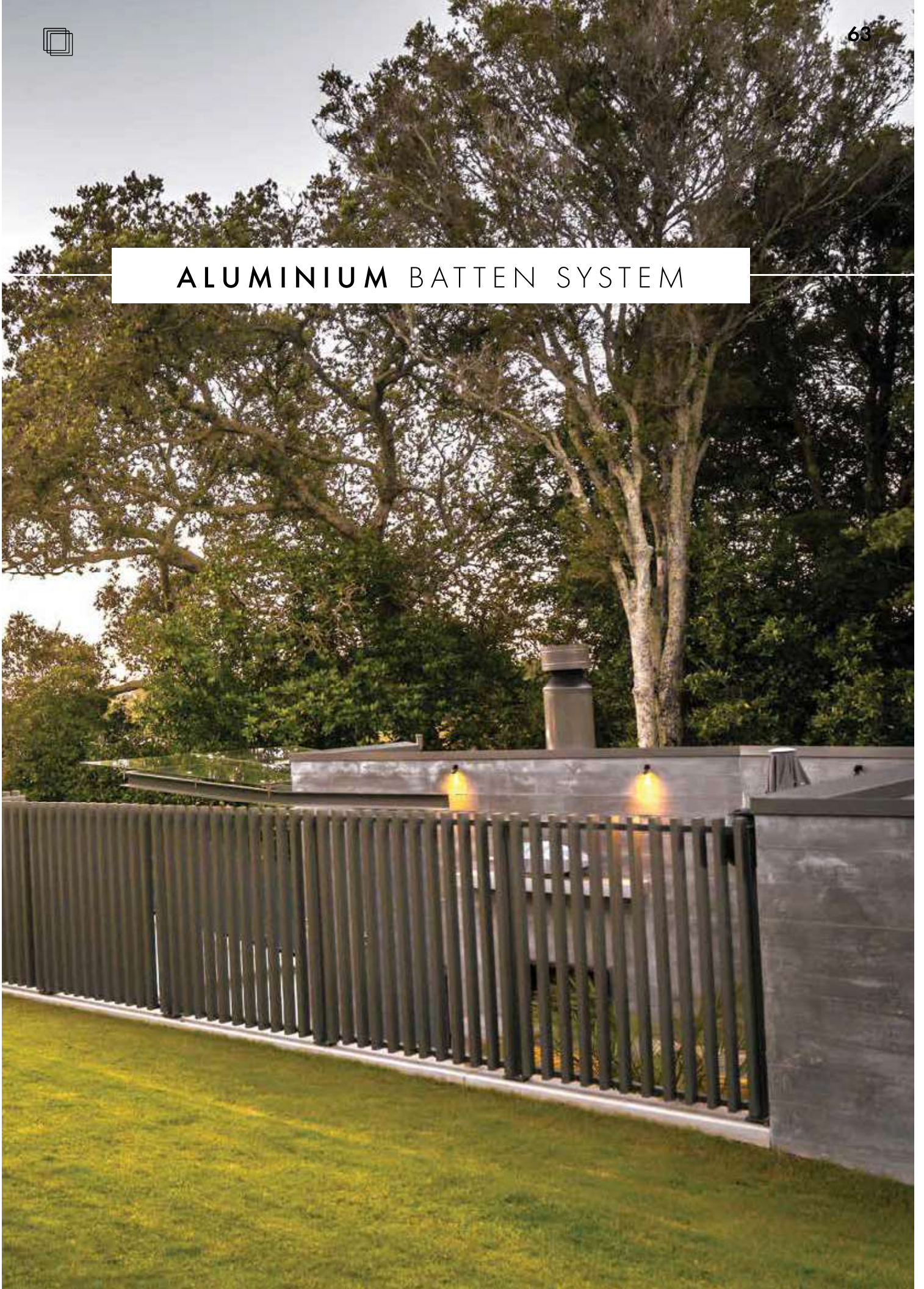
---

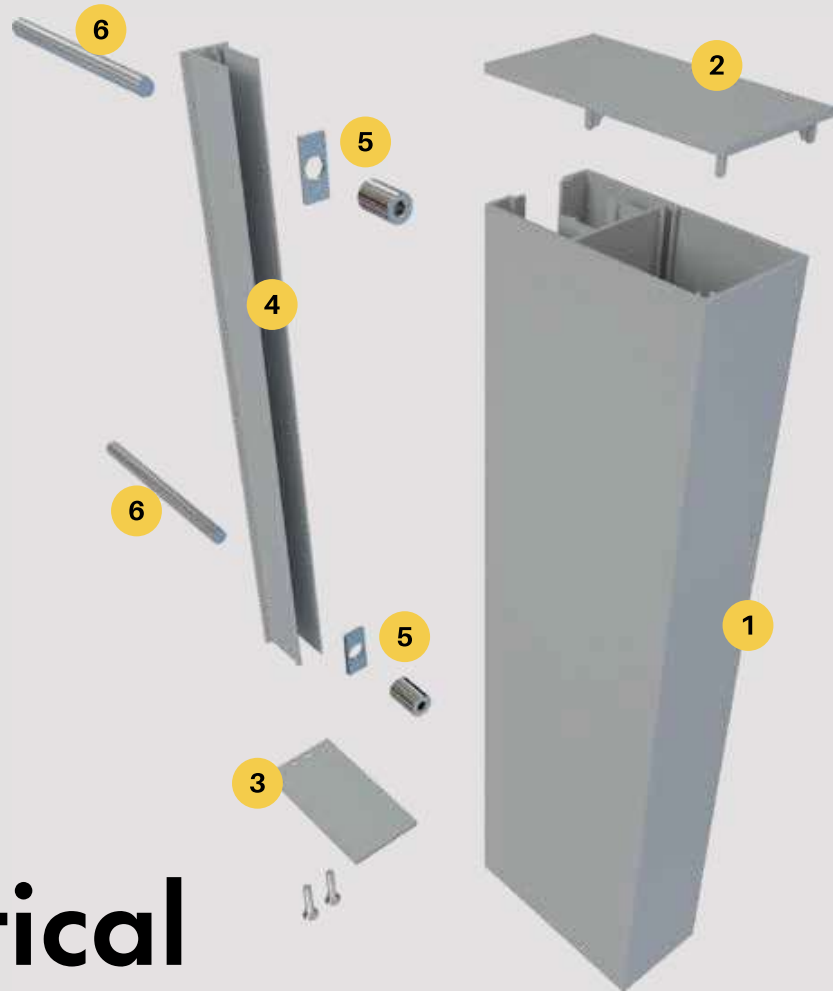
**WWW.BLITZGLASS.COM.AU**





# ALUMINIUM BATTEN SYSTEM

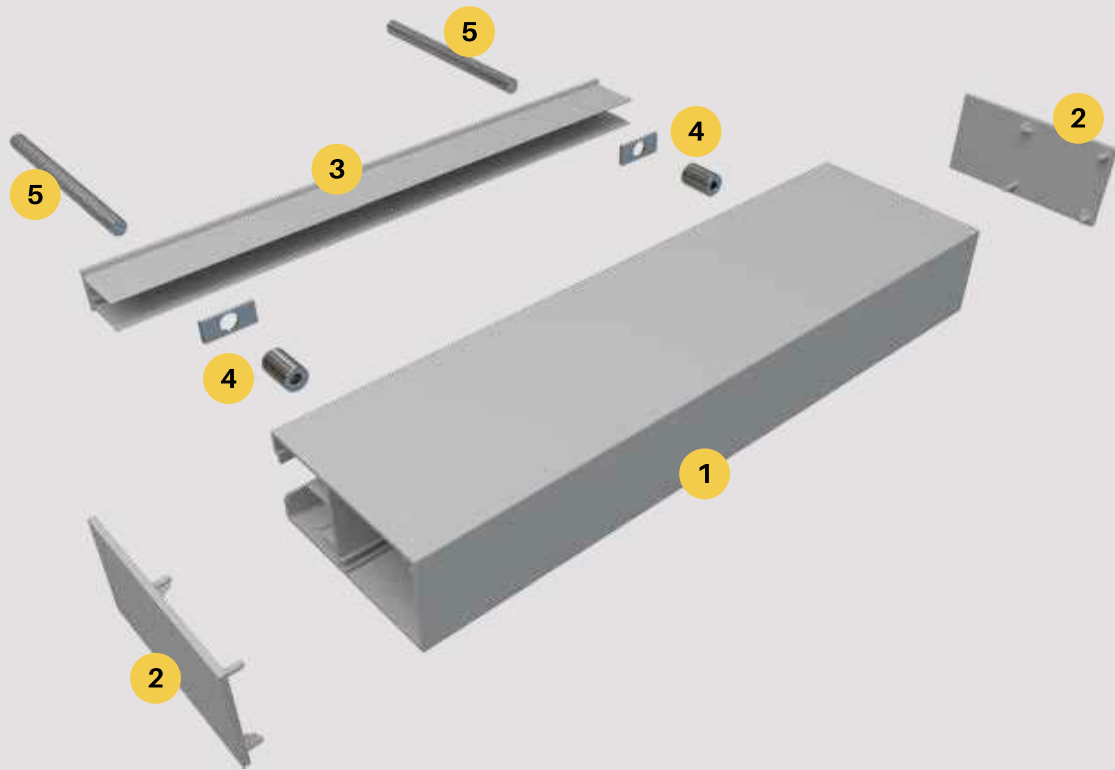




# Vertical batten set-up

- 1 Aluminium batten front**  
Snaps onto back clip – no welding required
- 2 Aluminium press-in flat top cap**  
Lugs in top cap press into extrusion screw flutes for secure fit
- 3 Aluminium screw-on flat bottom plate**  
Countersunk screws fix plate into back clip screw flutes – provides strong batten base
- 4 Aluminium back clip**  
Back clip fixes to substrate. Patented no-weld system allows batten front to snap on
- 5 M10 threaded barrel fixing**  
Hex head fixing designed for easy internal fitting into back clip. For timber fixing, consider standard pan head screws with no requirement for barrel fixings
- 6 M10 threaded rod**  
Threaded rod used for concrete chemical anchor fixing. For timber, consider M10 lag screws or standard pan heads





# Horizontal batten set-up

Battens are versatile and can be installed vertically, horizontally or on an angle depending on design requirements

- 1 Aluminium batten front**  
Snaps onto back clip – no welding required
- 2 Aluminium press-in flat top cap**  
Press-in flat cap may be used both sides in a horizontal fixing application. No requirement for screwing on end plates as there is in vertical installations
- 3 Aluminium back clip**  
Back clip fixes to substrate. Patented no-weld system allows batten front to snap on
- 4 M10 threaded barrel fixing**  
Hex head fixing designed for easy internal fitting into back clip. For timber fixing, consider standard pan head screws with no requirement for barrel fixings
- 5 M10 threaded rod**  
Threaded rod used for concrete chemical anchor fixing. For timber, consider M10 lag screws or standard pan heads





## ECO FRIENDLY

Battens have commonly been made from harvested timber which must be repeatedly painted. Xpress battens are made from aluminium – the most abundant metal in the Earth's crust and third most abundant element (after oxygen and silicon). There are no ongoing painting issues with powder coated aluminium battens.



## FIRE RETARDANT

Aluminium is described as non-combustible. When aluminium is exposed to a prolonged fire environment it will begin to melt (not burn) with a melting point between 600 and 660 degrees celsius. Aluminium battens are an excellent choice where fire risk requires consideration.



## WEATHER & INSECT PROOF

Aluminium is impervious to insects and termites plus the non-porous surface is naturally resistant to fungi, mould and mildew. It is also unaffected by exposure to sunlight and water making it ideal for batten/screening solutions.



## LIGHT WEIGHT

Aluminium weighs approximately one third of a piece of steel that is the same size and shape. Xpress battens are made by extruding aluminium which allows for optimisation of shape to maximise strength and reduce weight.



## COLOUR STABILITY

Powder coating aluminum provides outstanding long term colour fastness and stability. Xpress battens are powder coated in Australia with genuine Interpon powder for industry leading quality. Imaged aluminium to provide the timber finish effect is also undertaken in Australia.



## RUST PROOF

Aluminium does not rust. With a powder coated or imaged finish, Xpress battens may be enjoyed for the long term with minimal maintenance and no worry of rusting.



## A COMPLETE BATTEN SYSTEM

Xpress battens are a patented system featuring non-weld assembly able to be installed in a number of different configurations. Batten style screening is increasingly popular for residential and commercial applications, providing architecturally pleasing aesthetics as well as functional screening solutions. Battens may be installed directly to walls, posts, the underside of roofs or they may be installed as a fence with the aid of horizontal rails.

Xpress battens have been designed with ease of install in mind as well as cost minimisation. The range is designed, patented, extruded and finished in Australia.

This patented system employs a sturdy back clip which affixes to the substrate with the front batten effortlessly snapping on. Top caps and bottom plates finish the installation hiding fixings for a visually stunning finish.

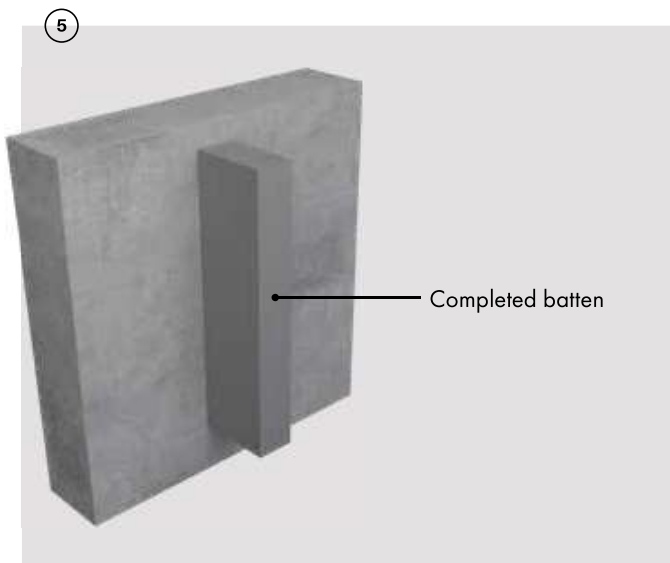
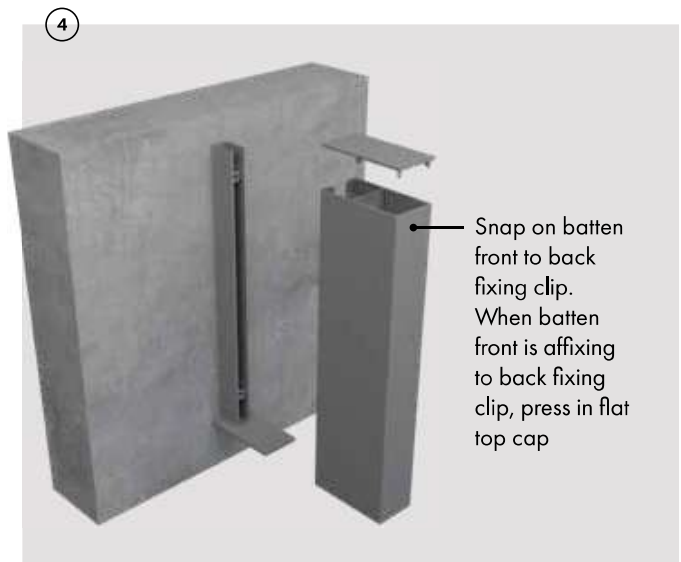
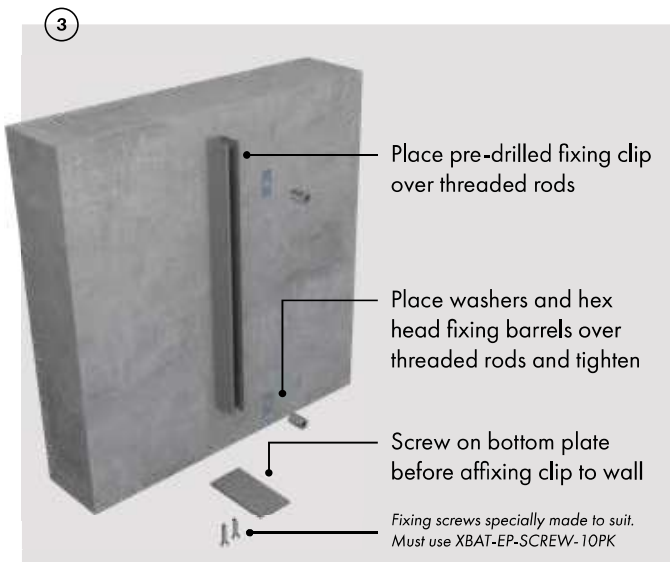
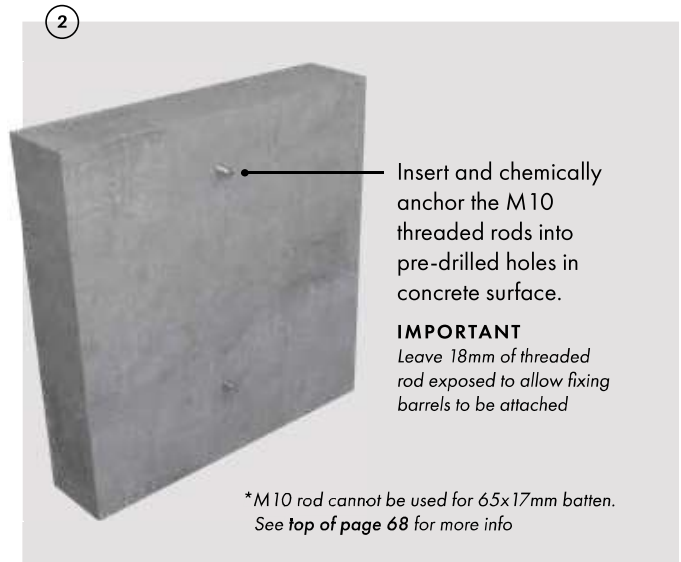
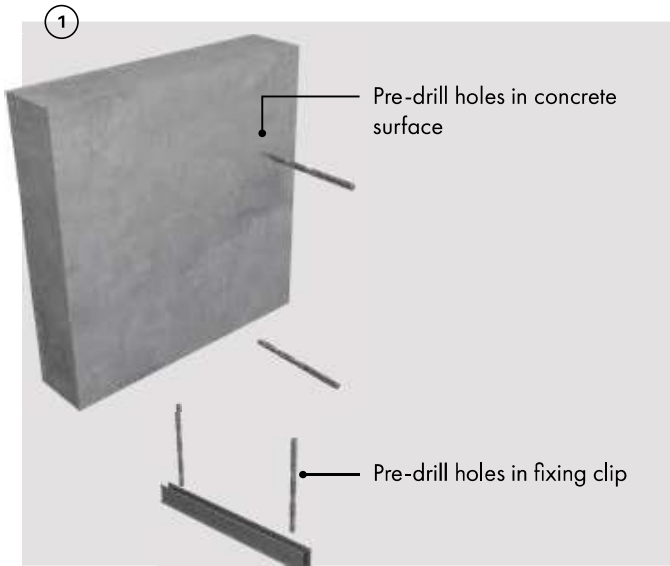
A key feature of Xpress battens is the ability to select from a range of batten profiles to suit the desired look. Whether it be a slimline visual of a 65x17mm batten, the substantial 150x50mm batten or something in between, the Xpress batten range is able to cater for it.

Xpress battens are stocked at 6100mm long in a range of pre-finished popular powder coat colours as well as imaged Western Red Cedar and mill finish. Long lengths may be easily cut to required size and assembled due to the no-weld assembly method. In addition to long length supply, we offer a complete cut to size solution. Simply advise the required batten style and sizes and we will cut to size (including supply of accessories). Cut to size battens are flat packed for safe transport, whether locally or nationally, and can be easily assembled on site.

Project orders can also be supplied. Custom powder coat colours from the Interpon or Dulux range of powders provide a huge selection of possible colour finishes. Woodgrain textured imaged aluminium can also be arranged from a large selection of finishes to achieve the timber look.



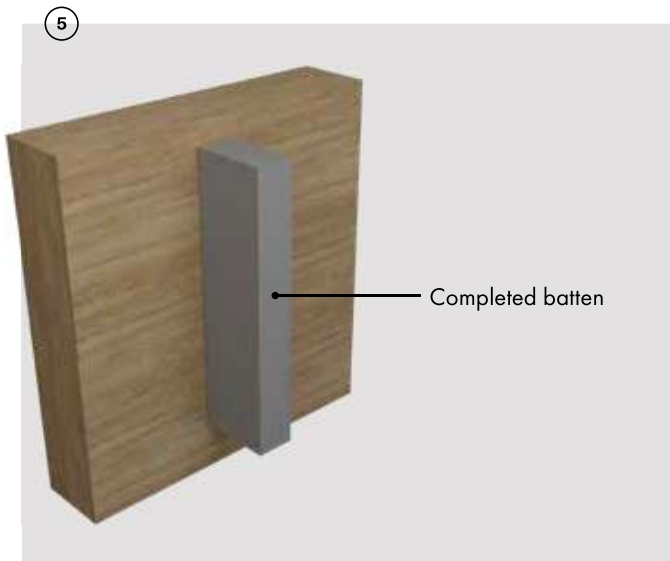
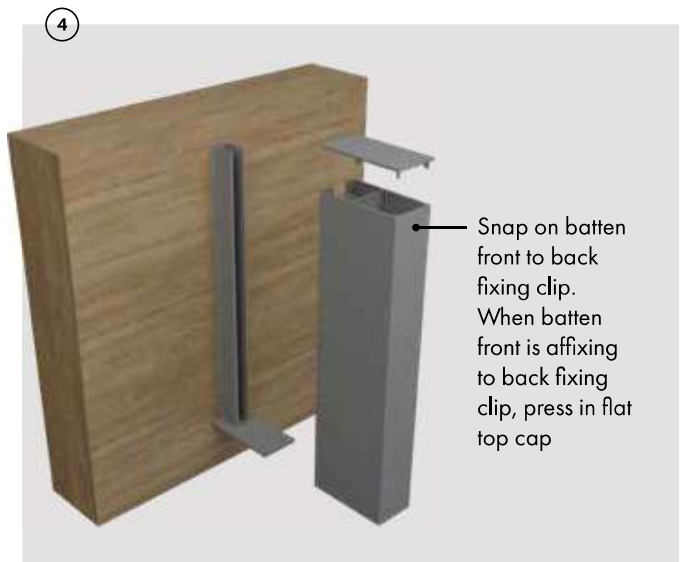
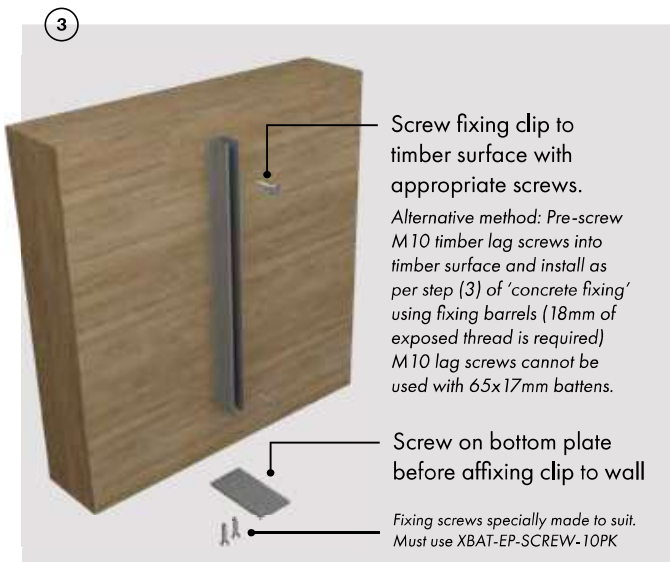
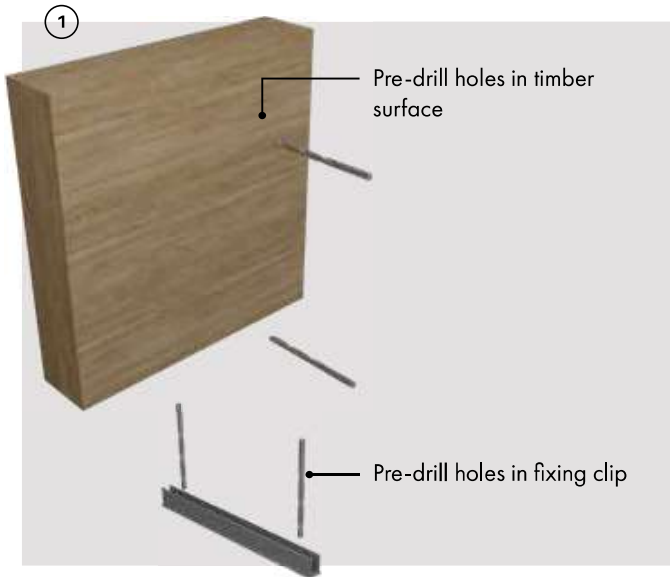
# Concrete installation







# Timber installation





## THE HIGHEST QUALITY FINISHES

Xpress battens are stocked at 6100mm long in popular Interpon D1000 series powder coated finishes, mill finish and timber imaged Western Red Cedar finish.

Aluminium is produced to chemical composition, mechanical property and dimensional tolerances in AS/NZS 1866:1997.

Additionally, facility accreditation consists of:

- AS/NZS ISO 9001:2008 – Quality Management Systems.
- AS/NZS ISO 14001:2004 – Environmental Management Systems.
- ISO/IEC 17025 – NATA Accredited Mechanical Testing Laboratory.

Aluminium is suitably pre-treated prior to powder coating and is applied by fully accredited coating facilities.

Woodgrain effect imaged aluminium has a durable base coat applied followed by a technically advanced film which is transferred onto the base coat under heat and pressure. The transfer cannot rub or peel off. The sophisticated process is called sublimation.





**BLACK**  
SATIN  
**GN150A**

**MONUMENT**  
MATT  
**GL229A**

**WOODLAND  
GREY**  
MATT  
**GL205A**

**PEARL WHITE**  
GLOSS  
**GA078A**

**WESTERN  
RED CEDAR**

**MILL**



# BATTEN EXTRUSIONS

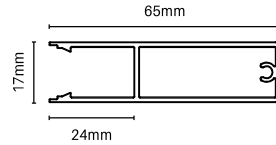


## 65mm x 17mm batten

6100MM LONG

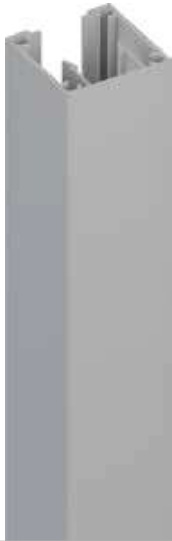
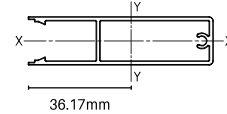
Order Code: **XBAT-6100-065X017**

MATES WITH **XBAT-6100-FIX**



## TECH SPECS

- PP 164 / AP 213
- Alloy 6063-T6
- lxx = 11.56 x 10E3 mmE4
- lyy = 93.66 x 10E3 mmE4
- 1x Ø3.2mm screw flute

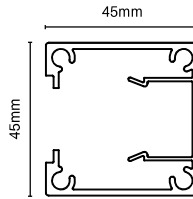


## 45mm x 45mm batten

6100MM LONG

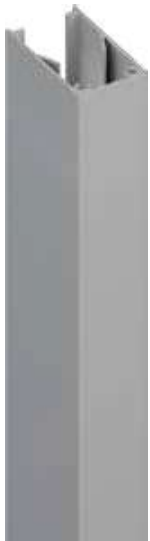
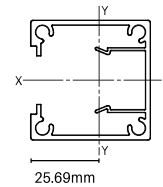
Order Code: **XBAT-6100-045X045**

MATES WITH **XBAT-6100-CLIP**



## TECH SPECS

- PP 180 / AP 425
- Alloy 6060-T5
- lxx = 129.73 x 10E3 mmE4
- lyy = 110.54 x 10E3 mmE4
- 4x Ø5mm screw flutes

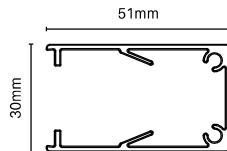


## 51mm x 30mm batten

6100MM LONG

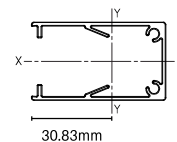
Order Code: **XBAT-6100-051X030**

MATES WITH **XBAT-6100-CLIP**



## TECH SPECS

- PP 163 / AP 330
- Alloy 6060-T5
- lxx = 43.56 x 10E3 mmE4
- lyy = 80.06 x 10E3 mmE4
- 2x Ø3.7mm screw flutes





# BATTEN EXTRUSIONS

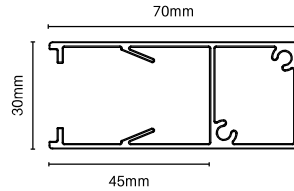


## 70mm x 30mm batten

6100MM LONG

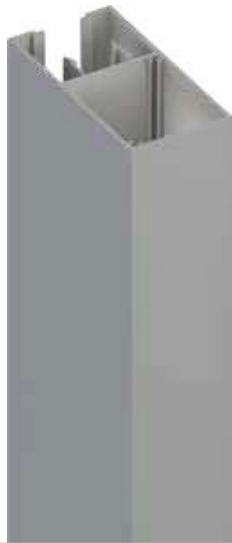
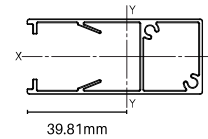
Order Code: **XBAT-6100-070X030**

MATES WITH **XBAT-6100-CLIP**



## TECH SPECS

- PP 200 / AP 338
- Alloy 6060-T5
- lxx = 56.72 x 10E3 mmE4
- lyy = 169.62 x 10E3 mmE4
- 2x Ø3.7mm screw flutes

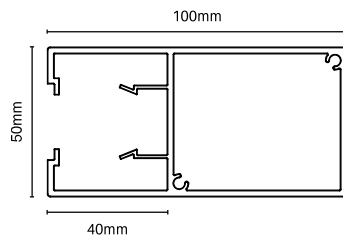


## 100mm x 50mm batten

6100MM LONG

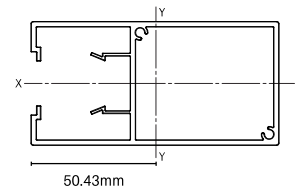
Order Code: **XBAT-6100-100X050**

MATES WITH **XBAT-6100-CLIP**



## TECH SPECS

- PP 300 / AP 508
- Alloy 6060-T5
- lxx = 295.13 x 10E3 mmE4
- lyy = 747.31 x 10E3 mmE4
- 2x Ø3.7mm screw flutes

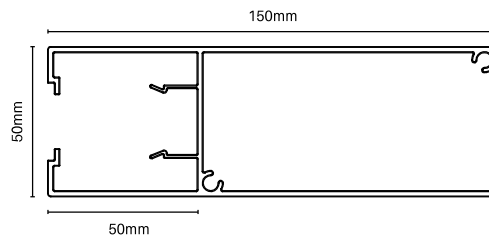


## 150mm x 50mm batten

6100MM LONG

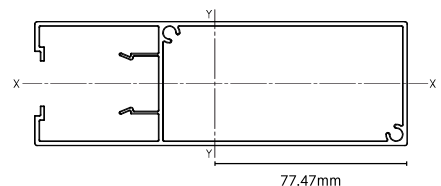
Order Code: **XBAT-6100-150X050**

MATES WITH **XBAT-6100-CLIP**



## TECH SPECS

- PP 400 / AP 608
- Alloy 6060-T5
- lxx = 411.58 x 10E3 mmE4
- lyy = 2228.48 x 10E3 mmE4
- 2x Ø5mm screw flutes





# BATTEN EXTRUSIONS



## 15mm x 9mm clip

6100MM LONG

Order Code: **XBAT-6100-FIX**

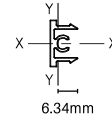
**MATES WITH 65x17mm BATTEN ONLY**



*\*For affixing clip to concrete, consider **tapper+ fastener** (1-1/4" x 3/16") or equivalent style of concrete fastening screw. It is important that head of screw does not protrude past clip edge. If it protrudes past, it will interfere with front of batten snapping on*

## TECH SPECS

- PP 100 / AP 77
- Alloy 6063-T6
- lxx = 1.03 x 10E3 mmE4
- lyy = 0.33 x 10E3 mmE4
- 1x Ø3.05mm screw flute

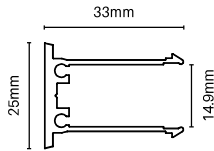


## 30mm x 25mm clip

6100MM LONG

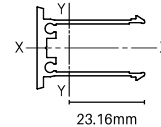
Order Code: **XBAT-6100-CLIP**

**MATES WITH ALL BATTENS EXCEPT 65x17mm BATTEN**



## TECH SPECS

- PP 120 / AP 190
- Alloy 6060-T5
- lxx = 8.25 x 10E3 mmE4
- lyy = 16.67 x 10E3 mmE4
- 2x Ø3.05mm screw flutes

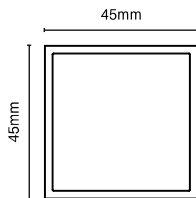


## 45mm x 45mm rail

6100MM LONG

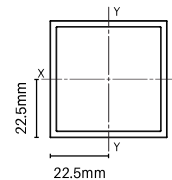
Order Code: **XBAT-6100-RAIL**

• Use as horizontal rails for batten installations  
• Shrouds also available for post mounting



## TECH SPECS

- PP 180 / AP 180
- Alloy 6060-T5
- lxx = 128.37 x 10E3 mmE4
- lyy = 128.37 x 10E3 mmE4
- 2.5mm wall thickness





# BATTEN TOP CAPS & END PLATES

**Top caps and end plates are available to enable a truly seamless batten finish. Made from aluminium die cast alloy 383, the caps/end plates have excellent corrosion resistance, are light weight and have dimensional stability.**

Available in colours to match stocked battens or mill finish which may be powder coated to suit. For Western Red Cedar imaged aluminium battens, caps/end plates are available in manor red powder coat.

**Top caps** are 3mm thick and have specially formed lugs which press tightly into batten extrusion screw flutes to ensure a secure fitting.

**Bottom plates** are 4mm thick and have countersunk screw holes strategically placed so that the plate may be screwed onto the bottom of a batten back clip. The flush finish screw fixing provides a strong base onto which a batten may rest once snapped on. The chance of a batten front slipping downwards over time is removed.



**65mm x 17mm**

**Top cap**  
Order Code: **XBAT-EC-065X017**

---

**End plate**  
Order Code: **XBAT-EP-065X017**

**45mm x 45mm**

**Top cap**  
Order Code: **XBAT-EC-045X045**

---

**End plate**  
Order Code: **XBAT-EP-045X045**

**51mm x 30mm**

**Top cap**  
Order Code: **XBAT-EC-051X030**

---

**End plate**  
Order Code: **XBAT-EP-051X030**

**70mm x 30mm**

**Top cap**  
Order Code: **XBAT-EC-070X030**

---

**End plate**  
Order Code: **XBAT-EP-070X030**

**100mm x 50mm**

**Top cap**  
Order Code: **XBAT-EC-100X050**

---

**End plate**  
Order Code: **XBAT-EP-100X050**

**150mm x 50mm**

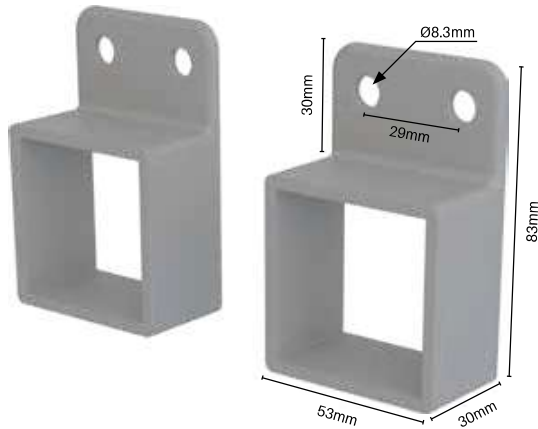
**Top cap**  
Order Code: **XBAT-EC-150X050**

---

**End plate**  
Order Code: **XBAT-EP-150X050**



# BATTEN ACCESSORIES



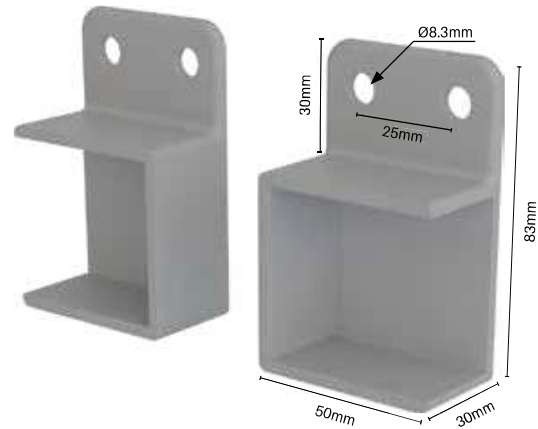
## Aluminium horizontal bracket

Pack of 2 – includes  
8x tek screws

CLOSED SIDE

Order Code: XBAT-BH2

- Aluminium die cast 383
- Brackets fit to inner face of post or wall
- Suits 45x45mm horizontal rail
- Must leave minimum 35mm of exposed rail past finished batten as bracket depth is 30mm



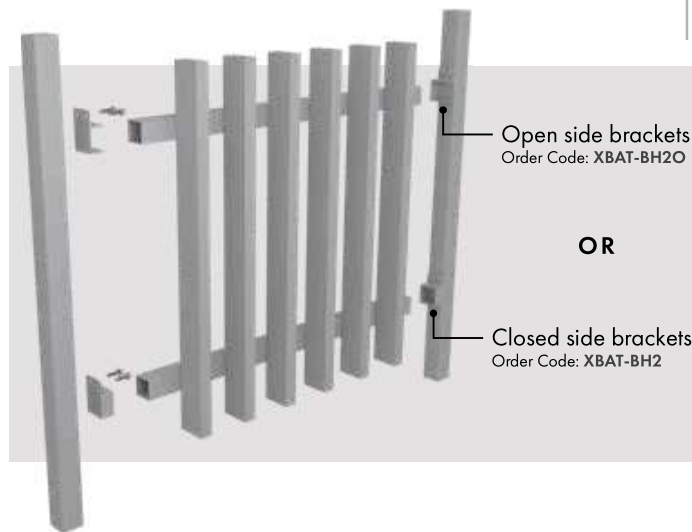
## Aluminium horizontal bracket

Pack of 2 – includes  
8x tek screws

OPEN SIDE

Order Code: XBAT-BH2O

- Aluminium die cast 383
- Brackets fit to inner face of post or wall
- Suits 45x45mm horizontal rail
- 3 sided opening – brackets can be pre-installed then install rail into bracket opening
- Ideal solution when batten finishes close to end of rail – side of bracket does not conflict with batten at open side



## HORIZONTAL BRACKET COLOURS

BLACK GN150A *OPEN SIDE BRACKET ONLY	MONUMENT GL229A	WOODLAND GREY GL205A
WHITE GA078A	TERRAIN	MILL

OR



## End plate CSK screws

Pack of 10

SS304 – ST3.5x25mm

Order Code: XBAT-EP-SCREW-10PK

- Use for screwing end plates to bottom of Xpress batten clip
- Suits both 15x19mm & 30x25mm clips
- Hex head – flush finish with countersunk end plates



## Self drilling rail screws

Pack of 100

Zinc plated – 10Gx22mm

Order Code: XBAT-RAILSCREW-100PK

- Self drilling wafer head screws
- Ideal for screwing batten clip to horizontal rails where battens used for fencing application



## M10 barrel fixing & rectangular washer

Pack of 10

SS304 – Suits M10 thread

Order Code: XBAT-FIXNUT-10PK

- 20mm L x Ø13mm outer hex drive nut with 30mm x 13mm rectangular washer
- Specially designed to fit inside 30x25mm clip for concrete fixing with threaded rod or timber fixing lag screw
- Cannot be used with 15x9mm clip (for 65x17mm battens)





# The fencing possibilities are endless

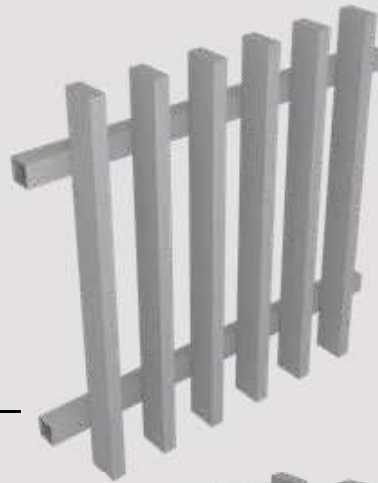
---

## THE STANDARD

---

The original. The timeless. The standard.

Affix one size batten to the front face of your rails to achieve this look.

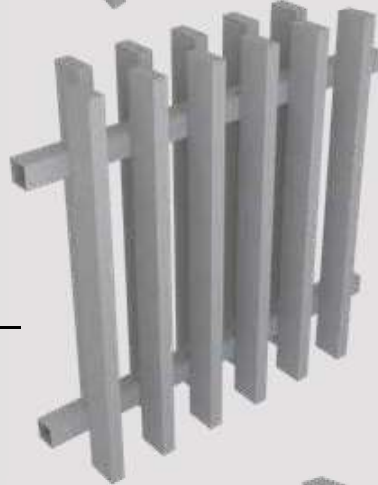


## BACK TO BACK

---

Add another dimension to your battens.

Affix battens in a staggered pattern to both sides of your rails to achieve this look.

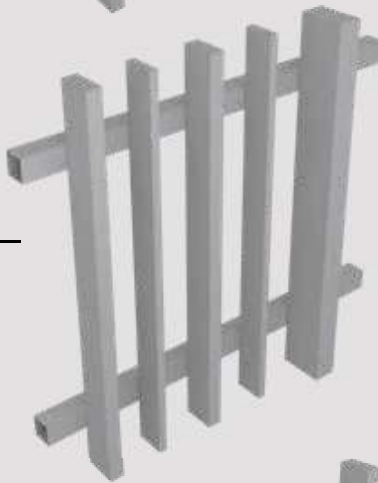


## THE SWITCH UP

---

Give your battens some personality.

Affix multiple size battens in a random order to the front face of your rails to achieve this look.

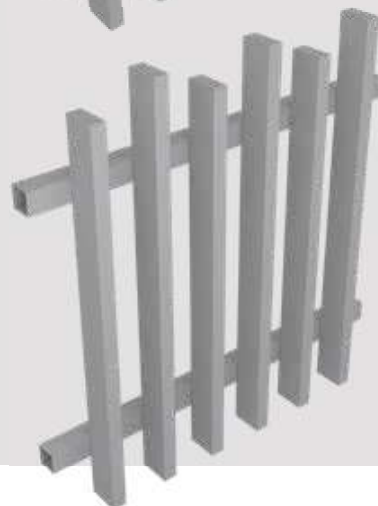


## STEP IT UP

---

Level up your batten style.

Stagger your batten heights and affix to the front face of your rails to achieve this look.





# Cut to size service

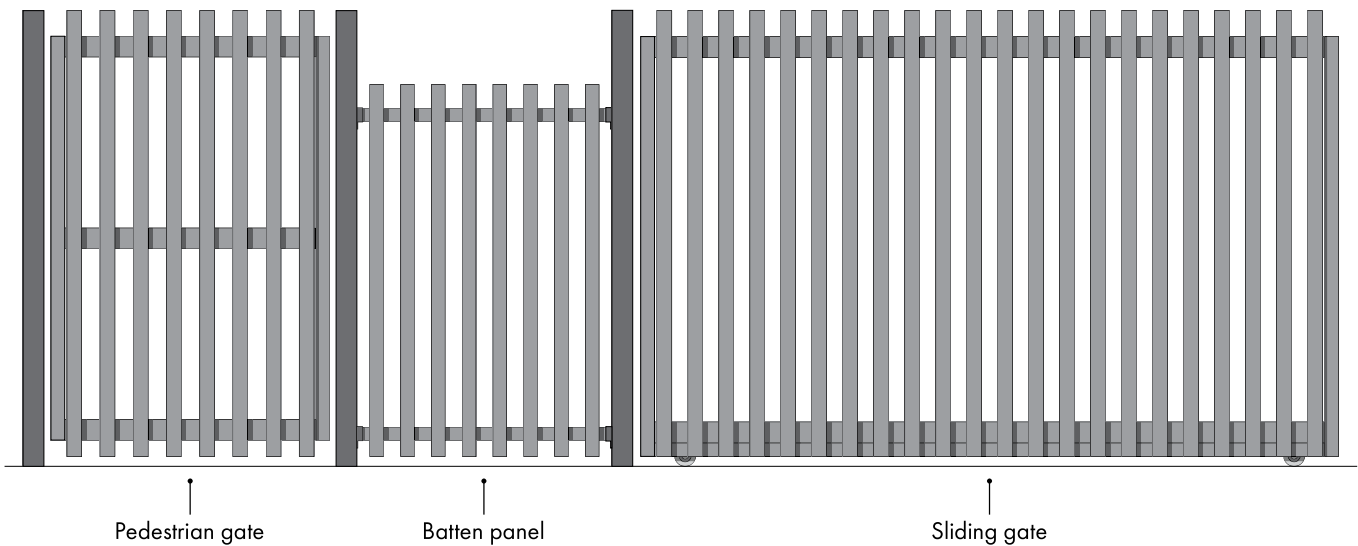
With our complete aluminium cutting facility, we are able to offer a complete cut to size service. Simply provide exact measurement of batten sizes and we are able to cut to size, flat pack and send nationally for easy assembly.

In addition to batten lengths, we are able to prepare pedestrian gates and sliding gates using our patented no-welding assembly method. Gates are flat packed for easy no-weld assembly on site or in factory.

## PEDESTRIAN GATES, PANELS & SLIDING GATES AVAILABLE NOW

Simply provide us your measurements – no wastage!

\*Free delivery to metro capitals!



## INSTANT PRICING

Access instant pricing on finished panels and gates with our easy to use Excel order form. Simply enter desired batten type, finish and sizes.

Importantly, off cut/wastage costs are overcome as exact quantities and sizes are shipped.

No more worries about unforeseen labour costs – we do it all for you!

## FREE DELIVERY TO METRO CAPITALS\*

\*Contact us for terms & conditions

Cut to Size - XPRESS Batten Panels - V2.0												Order Form				
XPRESS Batten Panels - Flat Pack & Flat Pack						Select Batten Size			Select Colour							
Order Item	Order Qty	Unit Price	Total Price	Material	Finish	Batten Size	Colour	Order Qty	Unit Price	Total Price	Order Qty	Unit Price	Total Price	Order Qty	Unit Price	Total Price



# Custom colours

Custom powder coating and timber imaging is available for project order lengths. The cut to size service is not available for custom colours.

**Contact us for pricing and minimum order quantities.**

## POWDER COAT COLOURS

Powder coating supplied by Interpon and Dulux are available in an extensive range of colours, gloss levels, textures and metallic shades for complete colour freedom. They contain no organic solvents or heavy metal pigments.



## TIMBER IMAGE FINISHES

Select from a huge range of premium textured timber image finishes with base coating and imaging process undertaken in Australia. Enjoy the benefits of a durable timber look aluminium without the ongoing maintenance issues of genuine timber.



- |                |                      |                       |                      |
|----------------|----------------------|-----------------------|----------------------|
| 1. Aspen       | 11. Knotty pine      | 21. Tiger wood        | 31. Kwila            |
| 2. Beachwood   | 12. Light oak        | 22. Western red cedar | 32. English chestnut |
| 3. Ash         | 13. Atlantic cedar   | 23. Bush cherry       | 33. Savannah oak     |
| 4. White ash   | 14. Australian cedar | 24. Iron bark         | 34. Teak brown       |
| 5. Driftwood   | 15. Red gum          | 25. Royal oak         | 35. Wenge            |
| 6. Zebrano     | 16. Blackbutt        | 26. Chestnut          | 36. Black walnut     |
| 7. Grey merbau | 17. Jarrah           | 27. Hickory           | 37. Charcoal ash     |
| 8. Iroko       | 18. Sydney blue gum  | 28. Spotted gum       | 38. Black ash        |
| 9. Tassie oak  | 19. Rose mahogany    | 29. Eastern mahogany  |                      |
| 10. Maple      | 20. Koa              | 30. Merbau            |                      |



# BATTEN IN A BOX

## Batten in a Box

1200MM H x 2000MM W

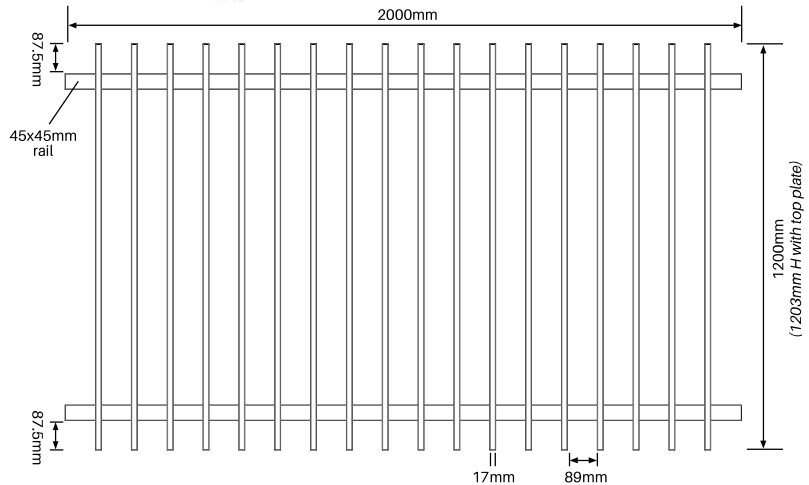
Order Code: XB6517-2000-1200-B/G/MN

- Complete batten in a box with back clip, snap on 65x17mm front and 2 x rails
- Premium powder coated aluminium including top caps
- Patented non-weld assembly method
- Rail and clip pre-drilled for fast & easy assembly. Assembly screws included.
- Cost effective batten fencing solution
- Pool fence compliant featuring 89mm gap spacing
- Height and width adjustable - simply cut to desired size if required
- Shrouds sold separately



## Powder coat colours —

Interpon powder coat



## 50x50mm post & accessories

Refer page 48



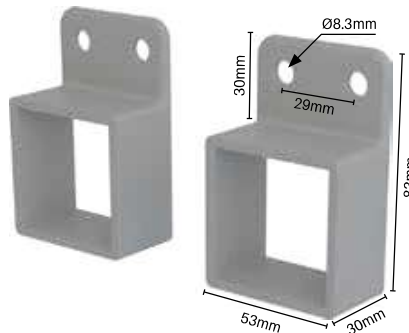
Accessories available in black, woodland grey and monument powder coat finish.

## Aluminium horizontal bracket

Pack of 2 – includes 8 x tek screws  
CLOSED SIDE

Order Code: XBAT-BH2-B/G/MN

- Aluminium die cast 383
- Brackets fit to inner face of a 65mm post or wall
- Suits 45x45mm horizontal rail
- Must leave minimum 35mm of exposed rail past finished batten as bracket depth is 30mm

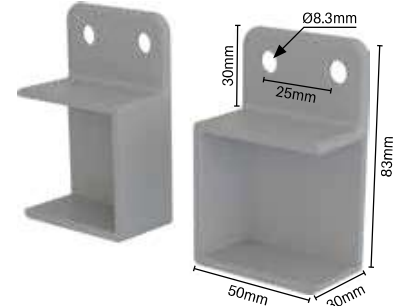


## Aluminium horizontal bracket

Pack of 2 – includes 8 x tek screws  
OPEN SIDE

Order Code: XBAT-BH20-B/G/MN

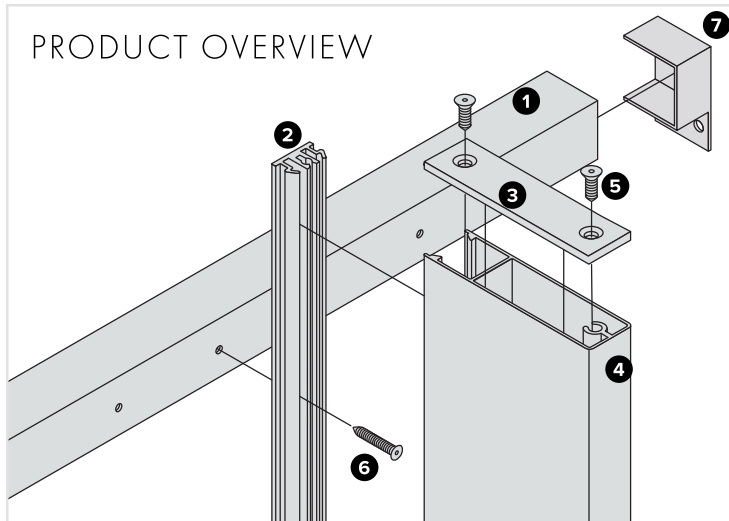
- Aluminium die cast 383
- Brackets fit to inner face of post or wall
- Suits 45x45mm horizontal rail
- 3 sided opening – brackets can be pre-installed then install rail into bracket opening
- Ideal solution when batten finishes close to end of rail – side of bracket does not conflict with batten at open side





# BATTEN IN A BOX

## PRODUCT OVERVIEW

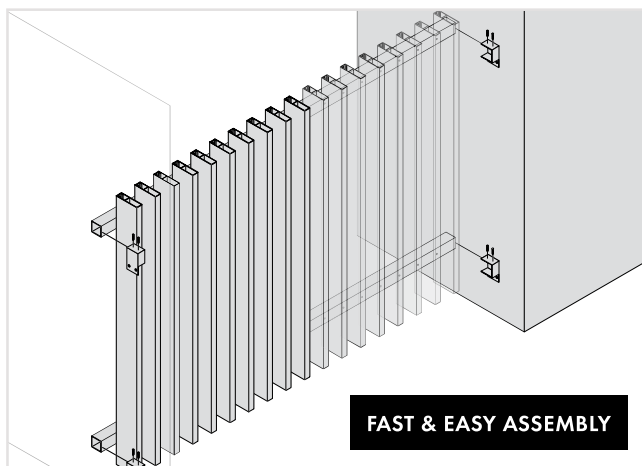
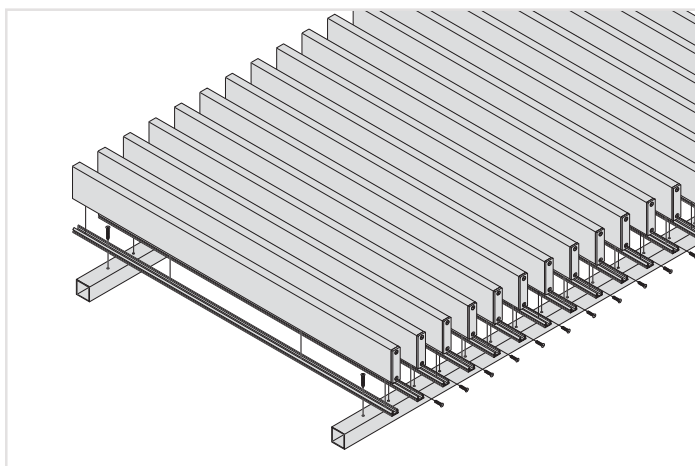


## COMPONENTS

- 1 Horizontal rail
- 2 Fixing clip
- 3 Top cap
- 4 Snap-on batten
- 5 Cap fixing screws
- 6 Rail fixing screws
- 7 Wall/post bracket (not included, sold separately)

### TRADE TIP

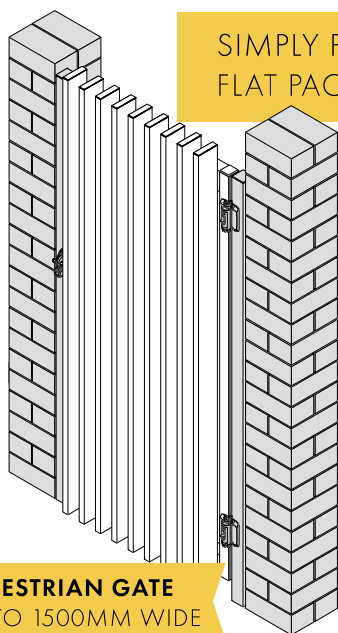
Refer [www.productinstall.com.au/vertbattens](http://www.productinstall.com.au/vertbattens) (password battens 1)



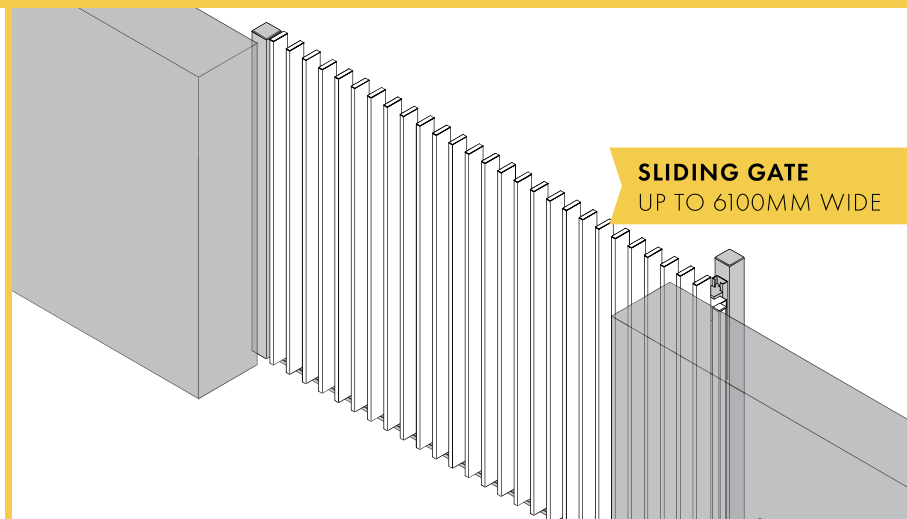
**FAST & EASY ASSEMBLY**

## Pedestrian gates & sliding gates available

SIMPLY PROVIDE YOUR MEASUREMENTS AND WE CUT TO SIZE AND FLAT PACK FOR QUICK AND EASY NON-WELD ASSEMBLY!



**PEDESTRIAN GATE**  
UP TO 1500MM WIDE



**SLIDING GATE**  
UP TO 6100MM WIDE