



**PERFORATED
PANELS**

(07) 5493 9779

WWW.BLITZGLASS.COM.AU

PREMIUM PERF FENCING



A NEW, EASY
'LOW MAINTENANCE'
FENCING SOLUTION



POOL FENCING COMPLIANT –
AS1926.1 TESTED
& COMPLIANT



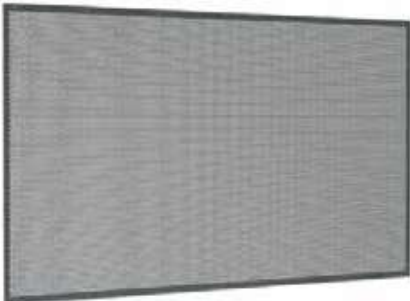
AVAILABLE IN
BLACK & MONUMENT –
SHATTER PROOF



TWO STYLISH DESIGNS TO
CHOOSE FROM – FULL PERF
OR PALM PATTERN

2 styles

FULL PERF



PALM



INSTALL –

2 methods

BRACKETS



U CHANNEL FIXING



WHAT IS PREMIUM PERF?

Overview

Premium Perf is an innovative new solution in the fencing industry with the added benefit of being pool fencing compliant. Perforated aluminium panels are extremely durable, corrosion resistant and are shatter proof.

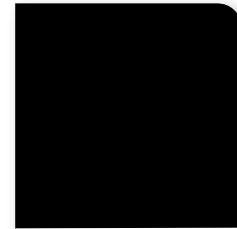
A key feature of Premium Perf is the excellent visibility through the panels resulting from the precision punching of 9mm diameter holes very close together. Additionally, Premium Perf is extremely low maintenance, especially versus glass fencing.

We are committed to excellence and Premium Perf is independently tested to ensure intrinsic strength, structural integrity and importantly for pool fencing, compliance to AS 1926.1. Testing has been conducted and certified by a NATA approved test facility using stringent testing procedures.

Premium Perf is an exciting breath of fresh air and alternative to traditional tubular fencing and glass fencing.

Outer frame & post finishes —

Genuine Interpon powder coat

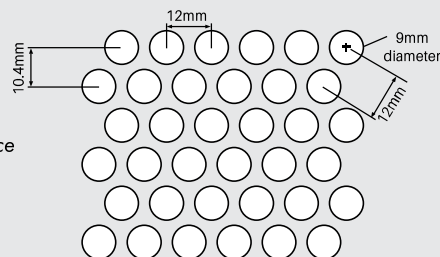


SATIN BLACK
GN150A (B)



MONUMENT MATT
GL229A (MN)

**Infill panels are textured Akzo Nobel powder coat*



Hole punch design ensures pool fencing compliance and maximum visibility through panel

PREMIUM PERF PANELS

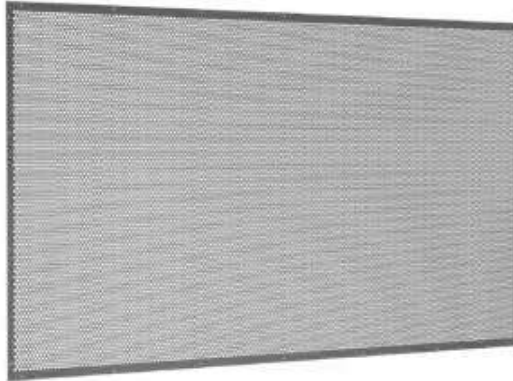
Premium Full Perf Infill Panel

1988mm W x 1188mm H

Matt Black & Monument Texture Powder Coat

Order Code: **PP-PANEL-B/MN**

- Premium marine grade alloy 5052 H32 ; 2.5mm thick
- Akzo Nobel powder coat: matt black and monument textured
- 9mm diameter precision punched holes
- 22 x 5.2mm diameter border holes to allow fixing to the frame kit
- Excellent visibility through punched panel; great alternative to glass
- Minimal cleaning required + shatter proof
- Pool fence compliant: tested to AS1926.1
- With framing panel is 2000mmW x 1200mmH - framing sold separately
- Height and width adjustable: simply cut to size. Refer 'fabrication overview' section



Premium Deco Perf Infill Panel

1988mm W x 1188mm H

Matt Black & Monument Texture Powder Coat

Order Code: **PP-PANEL-PALM-B/MN**

- Premium marine grade alloy 5052 H32 ; 2.5mm thick
- Decorative punched palm pattern
- Akzo Nobel powder coat: matt black and monument textured
- 9mm diameter punched holes with 5.2mm diameter holes to create palm pattern effect
- 22 x 5.2mm diameter border holes to allow fixing to the frame kit
- Excellent visibility through punched panel; great alternative to glass
- Minimal cleaning required + shatter proof
- Pool fence compliant: tested to AS1926.1
- With framing panel is 2000mmW x 1200mmH - framing sold separately
- Height and width adjustable: simply cut to size. Refer 'fabrication overview' section



Premium Full Perf Transition Panel

1288mm W x 1888mm H

Matt Black & Monument Texture Powder Coat

Order Code: **PP-PANEL-TRANS-B/MN**

- Premium marine grade alloy 5052 H32 ; 2.5mm thick
- Akzo Nobel powder coat: matt black and monument textured
- 9mm diameter precision punched holes
- 22 x 5.2mm diameter border holes to allow fixing to the transition frame kit
- Transition panel useful where extra height is required to overcome a step/climb point or similar - often at the beginning or end of a pool fence.
- Matches punch pattern of standard 1188mm high full perf panels ensuring seamless integration with standard panels
- With framing, transition panel is 1300mm W x 1900mm H - framing sold separately - refer special frame kit for transition panels - PP-TRANSKIT-B/MN
- Panel can be cut down in width or height. Refer 'fabrication overview' section.



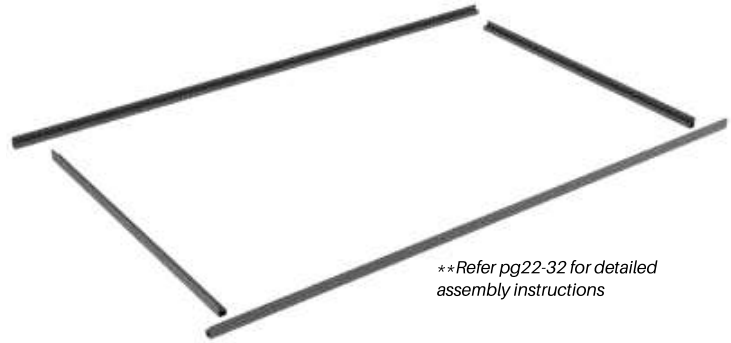
FRAME KITS & U CHANNELS

Premium Perf 38x25mm Frame Kit

Satin Black & Monument powder coat

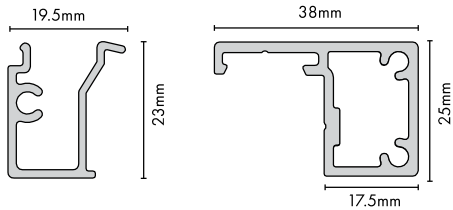
Order Code: **PP-FRAMEKIT-B/MN**

- Kit frames perf infill panel on all 4 sides.
- 2 part frame design enables hidden screw fixing of perf infill panel to frame. Panel fixing screws are covered by snap in cover. Finished frame profile is 38x25mm which suits standard fencing brackets.
- Suits framing of both full perf and deco perf infill panels
- Frame kit enables installing 2 ways: refer 'fabrication overview' for detailed information
 - 1) With shrouds/brackets: when assembled with perf infill panel, standard panel is 1200mm high and suits a 'daylight opening' width between posts of 2150mm.
 - 2) With U Channel fixing: when assembled with perf sheets, standard panel is 1200mm high and suits a 'daylight opening' width of 2012mm. **** (U Channels sold separately)**
- Frame kit is easily height and width adjustable. Simply cut to size.



***Refer pg22-32 for detailed assembly instructions*

KIT CONSISTS OF



- | | |
|---|---|
| <p>1) 2 x 2147mm long
horizontal snap in covers
2 x 1149mm long
vertical snap in covers</p> | <p>2) 2 x 2147mm long
horizontal frames
2 x 1149mm long
vertical frames</p> |
|---|---|

***Wafer screws for fixing infill panel to frame sold separately. Refer code: PP-SCREW-B/MN-50PK*

INNOVATIVE 2-PART FRAME



STEP 1

Place perf infill sheet against centre frame wall



STEP 2

Screw off sheet and snap in cover



STEP 3

Completed 38 x 25mm profile with hidden screw fixing

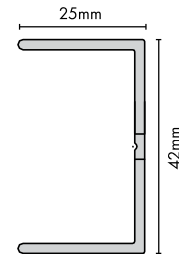
45x25.4mm U channels – pack of 2

1200mm long

Satin Black & Monument powder coat

Order Code: **PP-U-B/MN-2PK**

- Pack of 2 x U channels; 1200mm long
- 3 x 5mm pre-drilled holes per U channel
- Only required if panels installing via 'U Channel' method (ie not using brackets/shrouds)
- 38x25mm profile perf panel frame fits neatly inside U channels
- U channels are fitted to posts/pillars either side of framed perf panel
- Channels are height adjustable. Simply cut to size.



2 x 1200mm long U channels
*2mm wall thickness

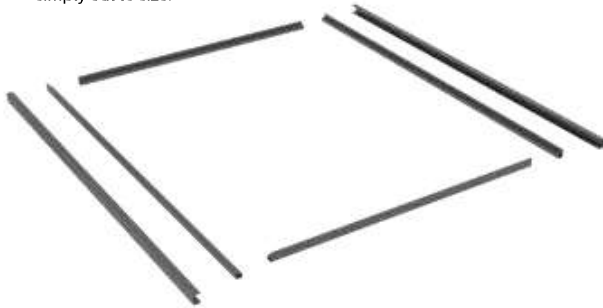
FRAME KITS & ACCESSORIES

Premium Perf 38x28mm Transition Panel Frame Kit

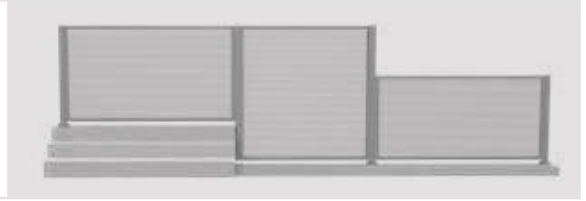
Satin Black & Monument Powder Coat

Order Code: **PP-TRANSKIT-B/MN**

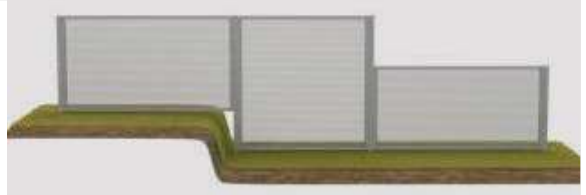
- Framing kit to suit TRANSITION full perf infill panel enabling framed panel size of 1900mm high
- Kit consists of:
 - 2 x 1400mm long horizontal rails with snap in cover
 - 2 x 1849mm long vertical rails with snap in cover
 - 2 x 1900mm long vertical U channels, with 4 x 5mm pre-drilled holes per U channel
- Kit enables installing 2 ways: with shrouds or with U channel. If shrouds used, discard U channels. Refer 'fabrication overview' for detailed information (** for U channel installation, max width is 1312mm 'daylight opening') (** for shroud installation, max width is 1400mm 'daylight opening')
- Frame kit is easily width and height adjustable: simply cut to size.



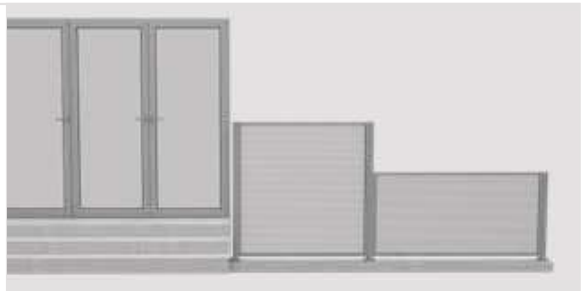
Overcome different levels along fence line



Overcome a stepping point in landscaping



Overcome stepping point issues around fence line



Self drilling wafer screws

10Gx16mm – BAG OF 50

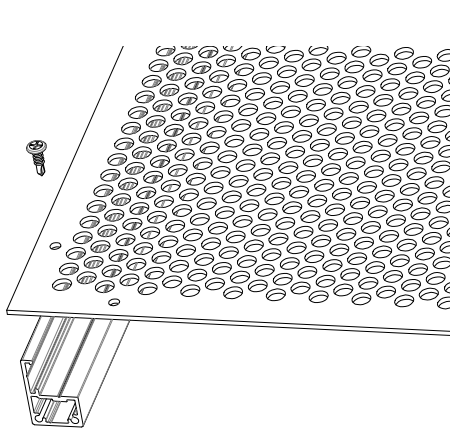
Satin black or Monument heads

Order Code: **PP-SCREW-B/MN-50PK**

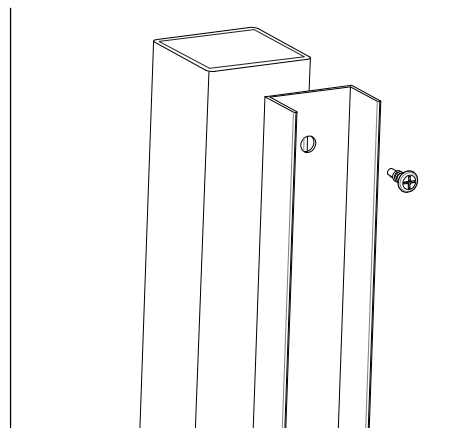
- Bags of 50 - 10G x 16mm self drilling wafer SS304 screw
- Powder coated heads for neat finish
- Screw used for a variety of applications:



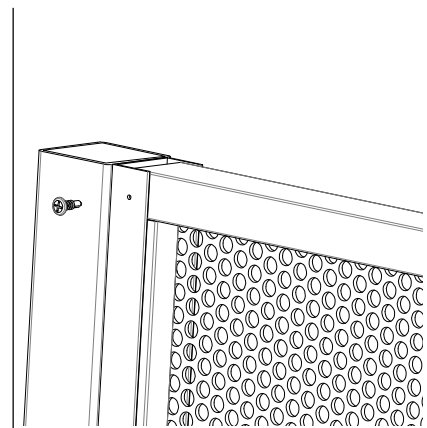
Slimline 2mm Philips drive screw head



1) Fixes perforated infill panel to framing kit
NOTE: 22 x screws are required to screw-fix perf infill panel to frame kit



2) Fixes U channels to aluminium 50x50mm posts



3) Fixes together U channel to framing kit vertical sides

GATES

Premium Perf Gate

975mm W x 1200mm H

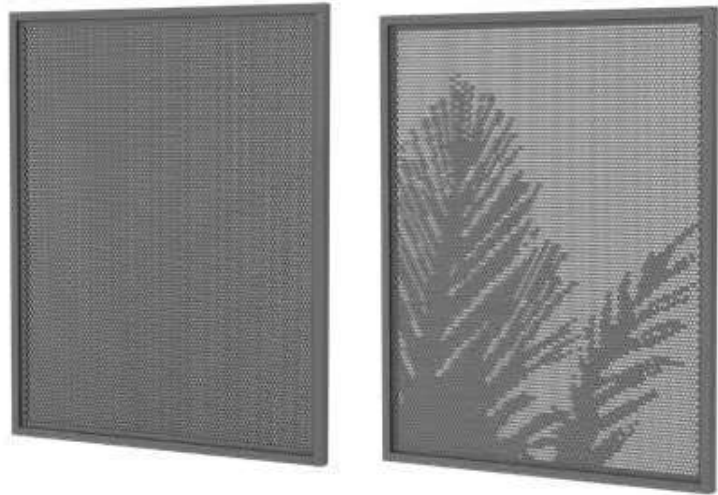
Matt Black & Monument Texture Powder Coat punched infill

Satin Black & Monument Powder Coat framing

Order Code: **PP-GATE-B/MN** (for full perf)

PP-GATE-PALM-B/MN (for palm deco pattern)

- FULLY ASSEMBLED gate with 38x25mm framing:
 - matches panel framing
- 975mm wide x 1200mm high gate
- Premium marine grade alloy sheets:
 - 5052 H32; 2.5mm thick
 - punched 9mm diam holes
 - Akzo Nobel powder coat: matt black or monument textured
- Framing is satin black or monument matt powder coated
- Excellent visibility through punched panel
- Pool fence compliant perf: tested to AS1926.1
- For pool fencing LATCH, gate can be installed with side pull or top pull (refer 'fabrication overview' section).



POSTS & ACCESSORIES



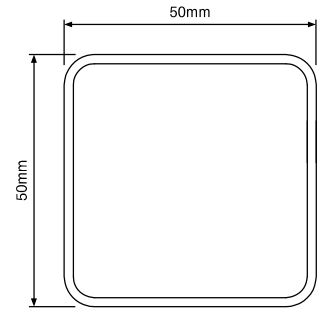
50x50mm core drill post

1800mm OR 2100mm H

Satin black & monument powder coat

Order Code: **SS-1800-B/MN**
SS-2100-B/MN

- 50mm x 50mm core drill post with anchor fin at bottom for sturdy embedment
- 1.8mm wall thickness
- Alloy 6063 - T6
- Free black top cap included



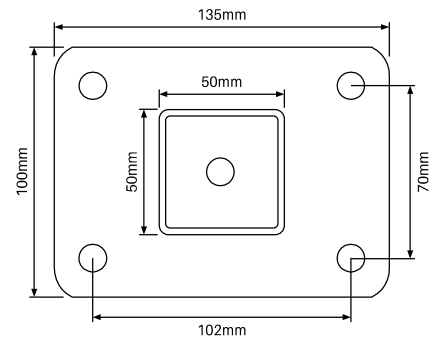
50x50mm base plated post

1300mm OR 1600mm H

Satin black & monument powder coat

Order Code: **SS-1300-BP-B/MN**
SS-1600-BP-B/MN

- 50mm x 50mm post with welded base plate (8mm thick base plate - 4x Ø11mm fixing holes)
- 1.8mm wall thickness
- Alloy 6063 - T6
- Free black top cap included



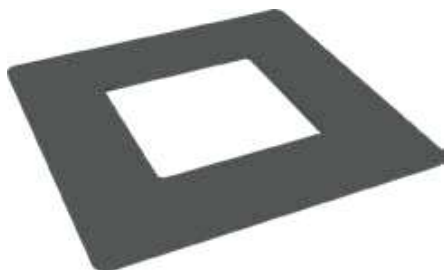
Two part domical cover

POWDER COATED ALUMINIUM

Satin black & monument powder coat

Order Code: **SS-DC-B/MN**

- 2 part domical cover for base plated fence post
- Outer dimensions: 140mm L x 106mm H x 30mm H
- Suits 135x100mm base plate (post codes SS-1300-BP-B/MN, SS-1600-BP-B/MN)
- Can be fitted after fence installation



50x50mm post dress ring

POWDER COATED ALUMINIUM

Satin black & monument powder coat

Order Code: **XP-DR-B/MN**

- Suits 50x50mm core drill posts
- 100mm x 100mm outer - 52mm x 52mm inner

POSTS & ACCESSORIES



HEAVY DUTY 50x50mm POST

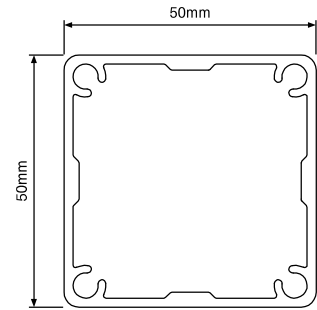
50x50mm full post

2400mm OR 6000mm H

Satin black & monument powder coat

Order Code: XP-2400/6000-FP-B/MN

- Alloy 6063 - T6
- 1.8mm wall thickness with 3mm ribs
- Screw flutes to screw on base plate if required
- Provides extra strength compared to standard 1.8mm wall thickness tubular posts
- Free aluminium powder coated press-in top plate included with 2400mm post, caps sold separately for 6000mm long posts



SUITS XP-2400/6000-FP-B/MN

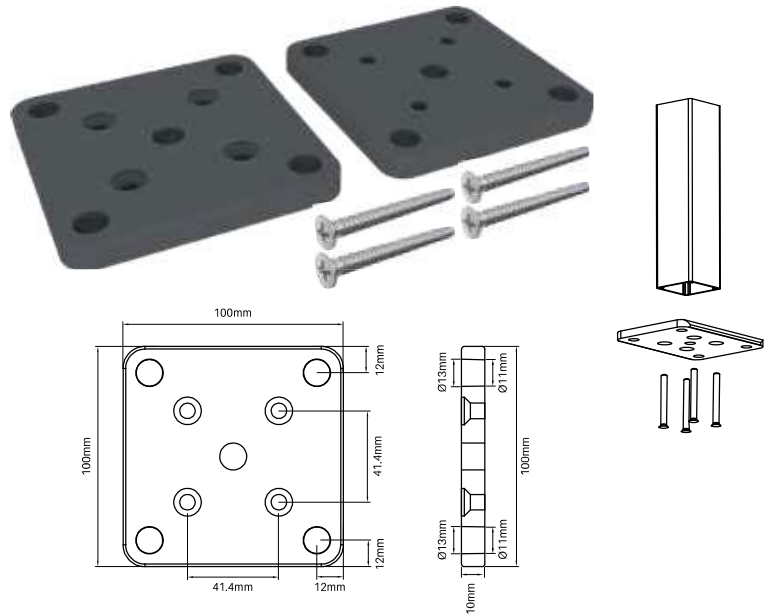
50x50mm post base plate set

POWDER COATED ALUMINIUM

Satin black & monument powder coat

Order Code: XP-BP-SET-B/MN

- Simply screw base plate onto core drill post
- Suits XP-2400/6000-FP posts only
- 4x 12G x 50mm long CSK screws included in set
- Suitable for pool fencing load requirements



Two part domical cover

POWDER COATED ALUMINIUM

Satin black & monument powder coat

Order Code: XP-DC-2P-B/MN

- 106x106mm outer - 52x52mm inner - Alloy ADC12
- Suits screw fixed base plated posts - does not suit welded 134x100mm base plated posts
- Cover can be fitted to posts after fence is installed



50x50mm post flat top plate

POWDER COATED ALUMINIUM

Satin black & monument powder coat

Order Code: XP-TP-B/MN

- Alloy ADC12 aluminium cap
- Press into post screw flutes for secure fixing
- 2400 long posts come with free top plate included - only purchase if extra top plates are required
- 6000mm long posts do not include top plates.



TRADE TIP

65x65mm aluminium posts also available. Refer p55 for more info.

POSTS & ACCESSORIES



Horizontal brackets – 4 pack

POWDER COATED ALUMINIUM
Satin black & monment powder coat

Order Code: SS-BH4-B/MN

- Suitable for 38mm x 25mm perf rail
- 2x fixing holes to post
- Pack includes 4x brackets and 10x self tapping colour matched tek screws



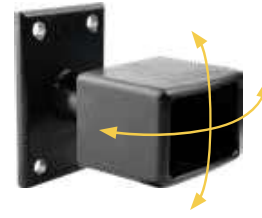
Vertical bracket

POWDER COATED ALUMINIUM
Single bracket

Satin black & monment powder coat

Order Code: SS-BV-B/MN

- Suitable for 38mm x 25mm perf rail
- Allows for install of panels at a vertical angle
- 2x fixing holes to post
- Fixing screws not included



360° bracket

NYLON
Single bracket
Black

Order Code: SS-B360-B

- Suitable for 38mm x 25mm perf rail
- Allows for 360° angle installation (side to side and up and down)
- 4x fixing holes to post
- Fixing screws not included



Angle bracket

Satin black powder coat

Order Code: SS-BA-B

- Aluminium angle
- Allows for variable angle installation of panels
- 2x fixing holes to post
- An alternative to standard shrouds

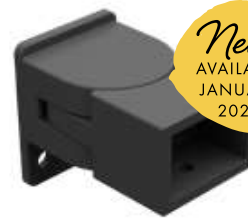
Horizontal swivel bracket

POWDER COATED ALUMINIUM
SINGLE BRACKET

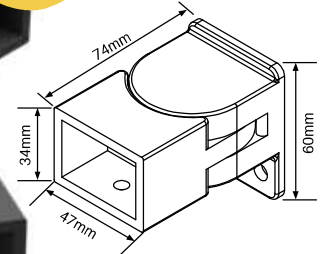
Satin black & monment powder coat

Order Code: SS-BSWIV-HORIZ-B
SS-BSWIV-HORIZ-MN

- Suitable for 38x25mm perf rails
- Stylish solution for variable HORIZONTAL angle installation of panels
- Swivels 45 degrees left and right from inline position (total 90 degree angle adjustment)
- 2 x fixing holes to post/wall
- Includes 3 x colour matched tek screws



New!
AVAILABLE
JANUARY
2023



**Swivels 45° left & right from inline position



Self drilling tek screws

12Gx20mm – BAG OF 100

Satin black & monment powder coat

Order Code: SS-TS-100-B/MN

- Self drilling tek screw featuring integrated thread and drill/cutting tip
- 12G x 20mm tek screw with hex head
- Used in a variety of aluminium fencing applications
- Packed in convenient bags of 100 screws
- Thread and tip not powder coated to ensure proper threading/cutting

Vertical swivel bracket

POWDER COATED ALUMINIUM
SINGLE BRACKET

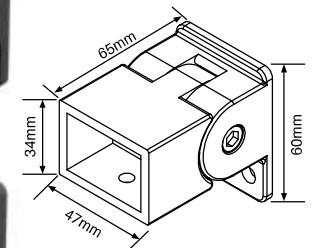
Satin black & monment powder coat

Order Code: SS-BSWIV-VERT-B
SS-BSWIV-VERT-MN

- Suitable for 38x25mm perf rails
- Stylish solution for variable VERTICAL angle installation of panels
- Swivels 45 degree up and down from straight position (total 90 degree angle adjustment)
- 2 x fixing holes to post/wall
- Includes 3 x colour matched tek screws



New!
AVAILABLE
JANUARY
2023



**Swivels 45° up & down from inline position

GATE HINGES & KITS

19mm
gap spacing

No
alignment legs

(variable spacing achievable)



Certi cap – Series 3

Order Code: TC-CAPS3

D&D code: TCACAP53

- Prevents toe hold on hinge
- Durable polymer material



TruClose® hinge pair

NO ALIGNMENT LEGS

Order Code: TC-H-AT-B (Pair)

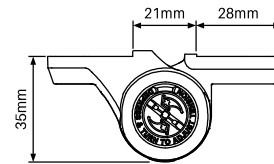
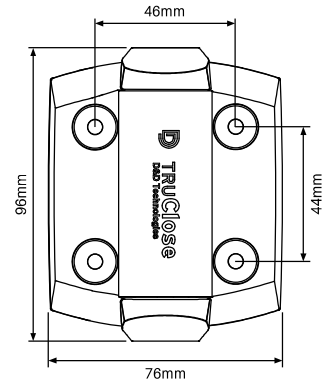
BB-TC-H-AT-B (*Bulk buy)

D&D code: TCA153BT

- D&D patented tension adjustment
- Strong, moulded polymer and stainless steel
- Adjust tension from both ends of the hinge
- No visible fixings
- Decorative trim covers available in black finish
- Super strong engineering polymers and stainless steel components
- Won't rust, bind, sag or stain
- Limited lifetime warranty
- Pool fencing compliant – Rated for gates up to 30kg

No alignment legs on hinge allows for flexibility when positioning gate onto post

*BULK BUY CARTON QTY: 20 PAIRS

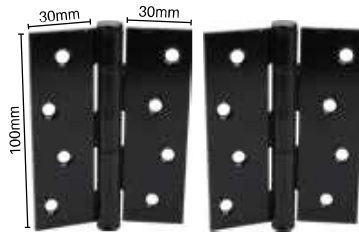


Butt hinge pair

100MM H x 75MM W

Order Code: SS-BH10075-B

- Cost effective where self closing hinge is not required
- Zinc plated steel
- Powder coated black
- Multiple fixing points – Ø6mm holes



Not pool fencing compliant



Magna Latch® with Tru Close® hinge pair

ADJUSTABLE TENSION

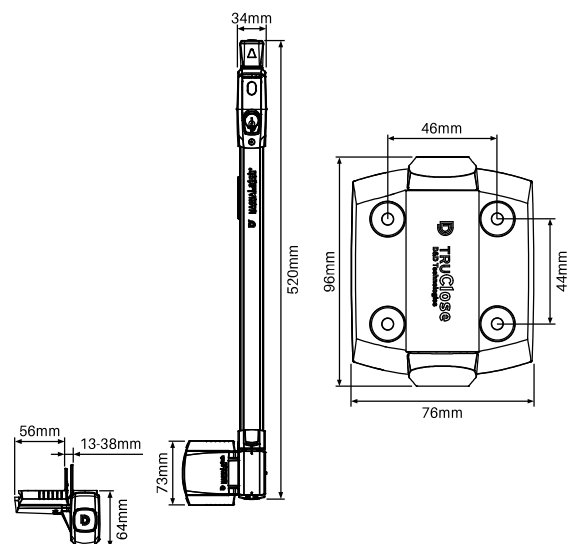
Order Code: ML-TL-TC-H-AT (Single)

BB-ML-TL-TC-H-AT (Bulk buy)

D&D code: MTSTDKS3LA

- Kit includes D&D top pull Magna latch and 2x TRU close hinges
- Patented tension adjustable hinges (TC-H-AT-B version hinges – no alignment legs on hinges provides for flexible installation)
- Pool fencing compliant – Rated to 30kg self close
- Magnetically triggered lockable latch

*BULK BUY CARTON QTY: 15 KITS



GATE LATCHES

13-38mm
gap spacing



D&D **MAGNALatch**

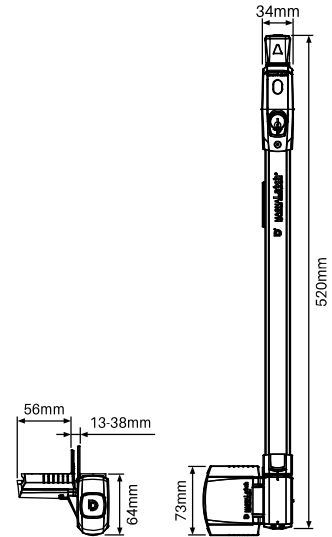
Top pull lockable latch

Order Code: **ML-TL (Single)**
BB-ML-TL (*Bulk buy)

D&D code: ML3TPLA

- Magnetically triggered lockable latch
- Improved stylish "Series 3" design
- Adjusts horizontally and vertically
- Includes adjustable striker plate
- D&D Limited lifetime warranty
- Quick and easy installation
- Tested to over 400,000 cycles

*BULK BUY CARTON QTY: 20PCS



8-10mm
gap spacing



D&D **D&D Technologies**
World's most trusted gate hardware

Face mount lockable latch

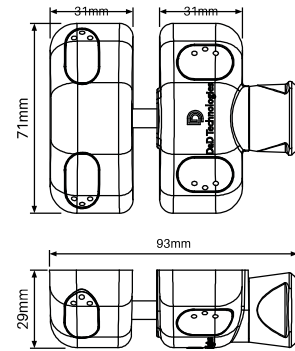
Order Code: **MR-FMLS (Single)**
BB-MR-FMLS (*Bulk buy)

D&D code: MLSP52L

- Key lockable
- Adjusts horizontally and vertically
- Limited lifetime warranty
- Black polymer

IMPORTANT NOTE: To ensure proper stopping position of perf gate, a gate stop must also be used. Refer code SS-GS
***TIP: Also ensure items PP-PACKER-SP is used with side pull per below*

*BULK BUY CARTON QTY: 10PCS

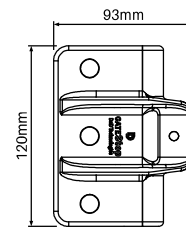


3mm PACKER (for side pull latch)

Black polymer finish

Order Code: PP-PACKER-SP

- 3mm black nylon packer with 2 x 35mm long SS304 screws
- Must use packer if installing SIDE PULL LATCH latch with Perf gate. Not required if installing gate with top pull latch.
- Simply place packer under side pull latch on gate frame.
- Packer ensures correct alignment between latch on gate and keeper on post.



D&D Gate stop

Black polymer finish

Order Code: SS-GS

D&D code: TCG53

- Ideal gate alignment device
- Prevents damage to latches & hinges
- Greatly reduces gate-slam noise
- Tough, durable polymer + rubber bumper

IMPORTANT NOTE: Must use if installing perf gate with side pull latch. Not required if installing with top pull latch.

***TIP: Install at latch height*

GATE LATCHES

10-45mm
gap spacing



* Padlock not included

Not pool fencing compliant

D D&D Technologies®
World's most trusted gate hardware

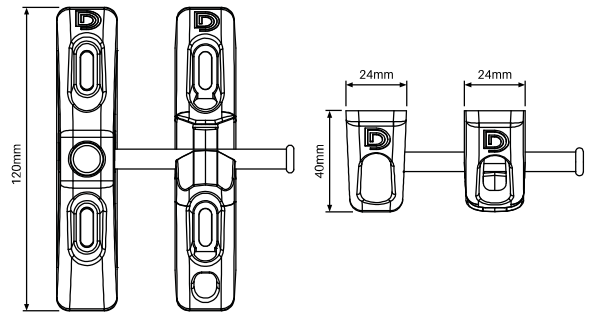
T latch

Order Code: **T-L (Single)**
BB-T-L (*Bulk buy)

D&D code: TL01

- Padlockable toggle latch
- Lockable from one side only

*BULK BUY CARTON QTY: 20PCS



10-35mm
gap spacing



Not pool fencing compliant

D latch

Order Code: **SS-DL-B**

- Easy to install D latch and striker
- Includes 4x tek screws
- Cost effective latching solution

