

---

# BARR FENCING

---



**(07) 5493 9779**

---

**WWW.BLITZGLASS.COM.AU**



## BARR FENCING



### Overview

BARR is a new design sensation providing the much sought after 'floating battens' look.

Panels & gates are welded and are made from 50x25mm aluminium extrusion with a sturdy 25x25mm extrusion utilised for top/bottom rails.

BARR's unique style is achieved via the 25x25mm rails passing through precision punched holes in the 50x25mm pickets – NOT face welded.

**This key design feature results in a panel which is unparalleled in strength and style.**

### Finishes —

Genuine Akzo Nobel powder coat





# BARR FENCING PANELS



1000MM H  
PANELS  
AVAILABLE  
JANUARY  
2023



Satin black



Pearl white

### TRADE TIP

Allow total bracket gap of 10 to 14mm so a 1733mm wide panel fits a daylight opening of 1743 to 1747mm

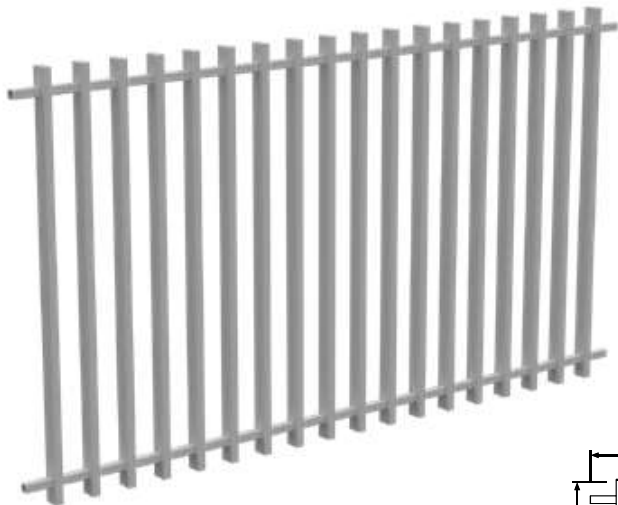
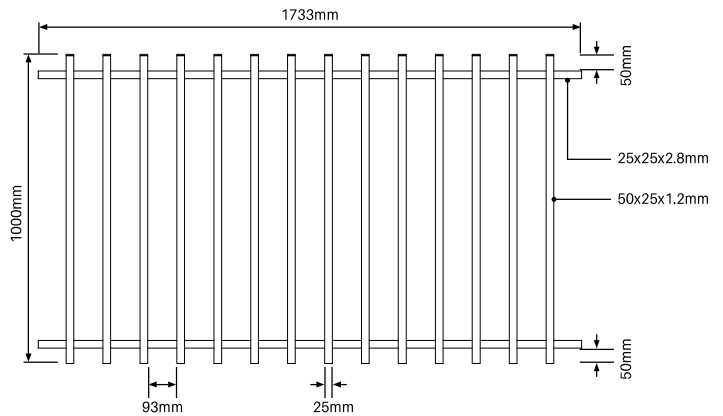
## BARR 50 x 25 Panel

1000MM H x 1733MM W

**Satin black** (GN150A) or **pearl white** (GA078A) finish

Order Code: **BR-PANEL-1733-1000-B/W**

- 1000mm high panel; aluminium alloy 6063-T6
- 50x25mm pickets/balusters with 25mm front/facing edge
- Cap pre-inserted in the top of each picket
- Sturdy 25x25x2.8mm horizontal top/bottom rails pass through the centre of punched pickets
- Pickets welded to rails
- Panel construction is very strong with rails passing through pickets
- 50x25mm picket provides the sought after seamless 'batten' look
- Being 1000mm high, ideal for garden/perimeter fencing
- Panel easily cut down in width



Satin black



Pearl white

### TRADE TIP

Allow total bracket gap of 10 to 14mm so a 2205mm wide panel fits a daylight opening of 2215 to 2219mm

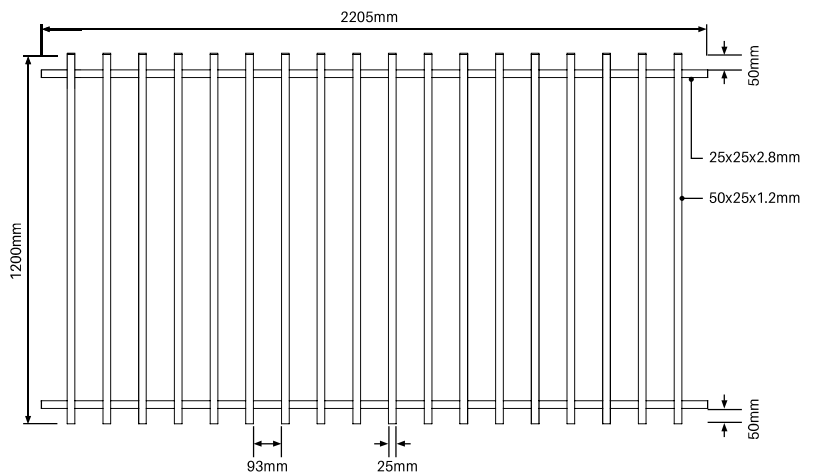
## BARR 50 x 25 Panel

1200MM H x 2205MM W

**Satin black** (GN150A) or **pearl white** (GA078A) finish

Order Code: **BR-PANEL-2205-1200-B/W**

- Pool fencing compliant to AS 1926.1
- 1200mm high panel; aluminium alloy 6063-T6
- 50x25mm pickets/balusters with 25mm front/facing edge
- Cap pre-inserted in the top of each picket
- Sturdy 25x25x2.8mm horizontal top/bottom rails pass through the centre of punched pickets
- Pickets welded to rails
- Panel construction is very strong with rails passing through pickets
- 50x25mm picket provides the sought after seamless 'batten' look
- Panel easily cut down in width





# BARR FENCING PANELS

**BLACK PANELS**  
AVAILABLE NOV 2022

**WHITE PANELS**  
AVAILABLE JAN 2023



**TRADE TIP**

Allow total bracket gap of 10 to 14mm so a 1969mm wide panel fits a daylight opening of 1979 to 1983mm

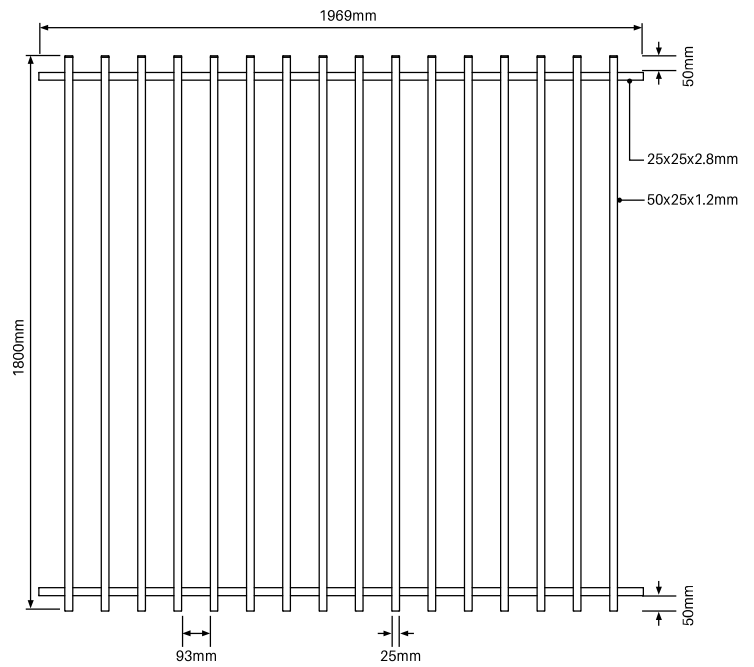
**BARR 50 x 25 Panel**

1800MM H x 1969MM W

**Satin black (GN150A) or pearl white (GA078A) finish**

Order Code: **BR-PANEL-1969-1800-B/W**

- Pool fencing compliant to AS 1926.1; also ideal for boundary fencing
- 1800mm high panel; aluminium alloy 6063-T6
- 50x25mm pickets/balusters with 25mm front/facing edge
- Cap pre-inserted in the top of each picket
- Sturdy 25x25x2.8mm horizontal top/bottom rails pass through the centre of punched pickets
- Pickets welded to rails
- Panel construction is very strong with rails passing through pickets
- 50x25mm picket provides the sought after seamless 'batten' look
- Panel easily cut down in width





# BARR FENCING GATES



Satin black



Pearl white

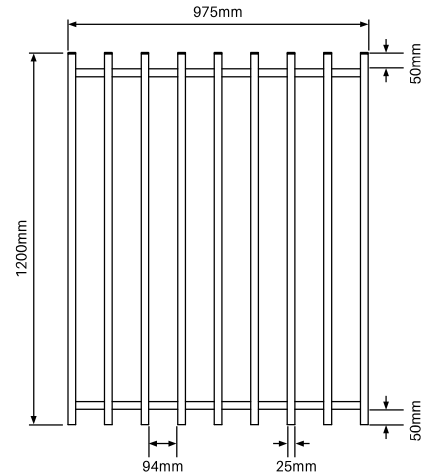
## BARR 50 x 25 Gate

1200MM H x 975MM W

Satin black (GN150A) or pearl white (GA078A) finish

Order Code: BR-GATE-0975-1200-B/W

- Pool fencing compliant to AS 1926.1
- 975mm wide x 1200mm high gate
- Aluminium alloy 6063-T6
- Same construction method as panels - horizontal rails pass through 50x25mm punched pickets & welded
- Gate side stiles are also 50x25mm
- To ensure maximum strength, four sided welding of horizontal rails to vertical gate stiles
- Caps pre-inserted into pickets



**BLACK GATES**  
AVAILABLE NOV 2022

**WHITE GATES**  
AVAILABLE JAN 2023



Satin black



Pearl white

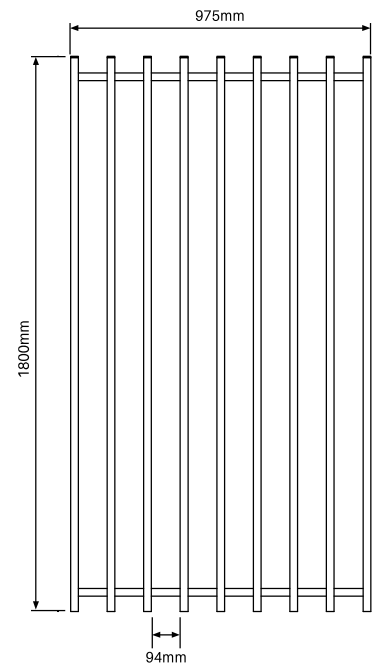
## BARR 50 x 25 Gate

1800MM H x 975MM W

Satin black (GN150A) or pearl white (GA078A) finish

Order Code: BR-GATE-0975-1800-B/W

- Pool fencing compliant to AS 1926.1
- 975mm wide x 1800mm high gate
- Aluminium alloy 6063-T6
- Same construction method as panels - horizontal rails pass through 50x25mm punched pickets & welded
- Gate side stiles are also 50x25mm
- To ensure maximum strength, four sided welding of horizontal rails to gate stiles
- Caps pre-inserted into pickets





# BARR FENCING POSTS



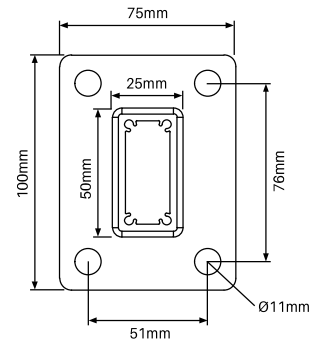
## Post with welded base plate

1280mm long

Satin black or pearl white finish

Order Code: **BR-1280-BP-B/W**

- 50x25x3mm post with welded 100x75mm base plate
- Base plate is 10mm thick
- Superior rigidity with 3mm wall thickness post
- Top cap pre-inserted
- Aluminium alloy 6063-T6
- 50x25mm post profile matches pickets to give a continuous 'batten' look.
- Traditionally posts are 50x50mm which breaks up the symmetrical batten look.



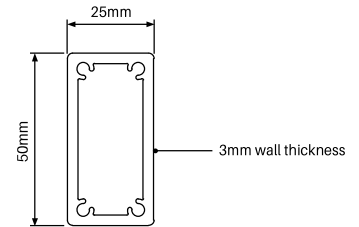
## Post

1800mm long

Satin black or pearl white finish

Order Code: **BR-1800-B/W**

- 50x25x3mm post at 1800mm long
- Superior rigidity with 3mm wall thickness
- Includes top cap pre-inserted
- Includes 100mm long x 25mm wide anchor at bottom of post for aiding sturdy embedment into concrete
- Aluminium alloy 6063-T6
- 50x25mm post profile matches pickets to give a continuous 'batten' look.
- Traditionally posts are 50x50mm which breaks up the symmetrical batten look.



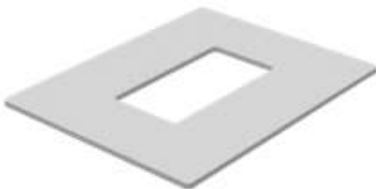
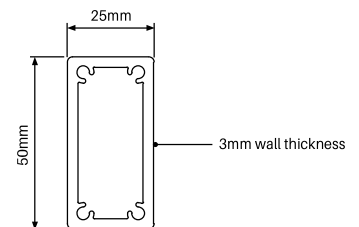
## Post

2500mm long

Satin black or pearl white finish

Order Code: **BR-2500-B/W**

- 50x25x3mm post at 2500mm long
- Superior rigidity with 3mm wall thickness
- Includes top cap pre-inserted
- Includes 100mm long x 25mm wide anchor at bottom of post for aiding sturdy embedment into concrete
- Aluminium alloy 6063-T6
- 50x25mm post profile matches pickets to give a continuous 'batten' look.
- Traditionally posts are 50x50mm which breaks up the symmetrical batten look.

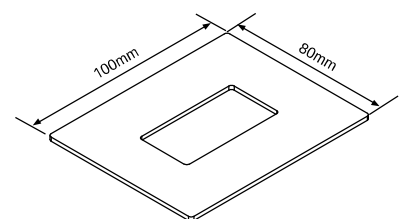


## Dress ring

Satin black or pearl white finish

Order Code: **BR-DR-B/W**

- 100 x 80mm dress ring
- Suits covering a core hole up to 80mm diameter
- For BARR posts, suggested to use 63mm or 76mm core drill size



# BARR FENCING ACCESSORIES



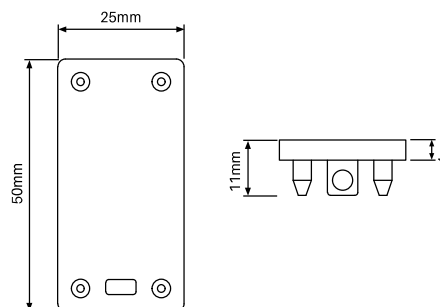
## BARR Top Cap

50 x 25 x 4MM

Satin black or pearl white finish

Order Code: BR-TCA-B/W

- Optional extra 4mm thick aluminium powder coated top cap
- Presses into screw flutes in 50x25mm pickets and/or posts
- Panels and posts come with nylon caps preinserted. Option to remove and replace with aluminium caps
- Made from solid aluminium and CNC machined (not die cast aluminium)



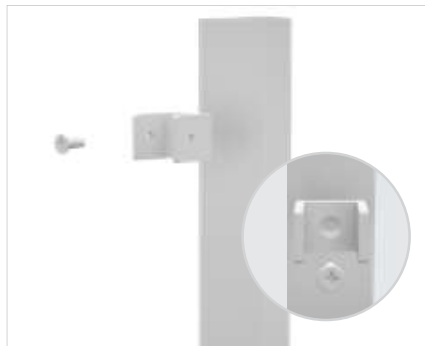
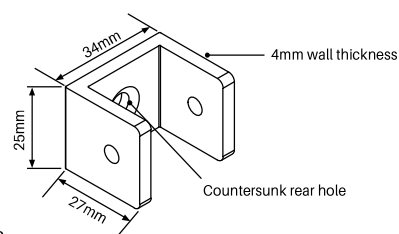
## BARR 'C' Bracket Kit

4 PACK

Satin black or pearl white finish

Order Code: BR-BR25-B/W-4PK

- Slimline "C" bracket for neat fixing of panels to posts/wall
- Made from extruded aluminium
- A stylish solution versus traditional full shrouds
- Sold as a pack of 4 x "C" brackets with matching screws
- Screws supplied for each bracket include 1 x countersunk SS304 screw for fixing to aluminium posts & 2 x panhead SS304 square drive screws for fixing the panels to the rails



- 1** Fix C bracket to post/wall using countersunk fixing. Fixing is hidden and is flush with back of bracket.



- 2** Insert panel into C bracket opening and pilot hole drill horizontal rails on both sides.



- 3** Fix off both sides with panhead screws. Screw heads are colour matched.



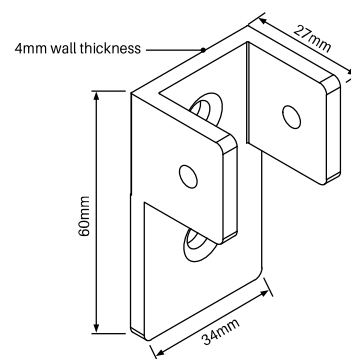
## BARR Extended 'C' Bracket Kit

4 PACK

Satin black or pearl white finish

Order Code: BR-BR60-B/W-4PK

- EXTENDED "C" bracket for neat fixing of panels to posts/wall
- Made from extruded aluminium
- Sold as a pack of 4 x EXTENDED "C" brackets with matching screws
- Features a longer back leg allowing 2 x fixings to post/wall for extra strength if needed
- Screws supplied for each bracket include 2 x countersunk SS304 screw for fixing to aluminium posts & 2 x panhead SS304 square drive screws for fixing the panels with the rails





# BARR FENCING GATE CONVERTERS

**GATE CONVERTERS AVAILABLE JAN 2023**

**HUGE SAVINGS VS TRADITIONAL FULL FABRICATION**

**MAKE GATES TO REQUIRED WIDTH WITH GATE CONVERTERS**

## BARR gate converter

1000/1200/1800mm high

Satin black or pearl white finish

Order Code: BR-1000-GC-2PK-B

BR-1000-GC-2PK-W

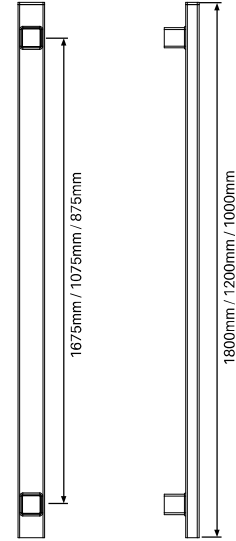
BR-1200-GC-2PK-B

BR-1200-GC-2PK-W

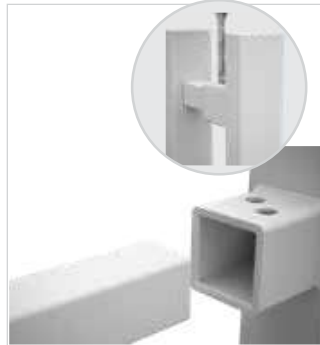
BR-1800-GC-2PK-B

BR-1800-GC-2PK-W

- Easily convert standard BARR panels into pedestrian gates
- Available to suit 1000, 1200 & 1800mm high panels
- Simply adjust panel to required width, place converters both sides and fix off
- Bolt/nuts are included and are colour matched
- Gate converter stiles are 50x25mm profile to match standard pickets
- Top caps included
- Sold as a pair (for left & right side of gate)



**1** Cut panel to required width. *NOTE: ensure minimum of 42mm of horizontal rail remains both sides past pickets for attaching of converters*



**2** Insert panel ends into converter and drill through guide holes.



**3** Fix off converters both sides with nut/bolts provided.



**4** Completed gate.

## Driver bit

Order Code: DB-PH3

- Driver bit to suit Phillips #3 screw head



## Square head driver bit

Order Code: DB-SQ3.4

- Driver bit to suit 3.4mm square screw head hole
- Suits panhead screws used with "C" brackets



## Touch Up Paint

150g SPRAY CAN

**Black or white finish**

Order Code: PAINT-B (Black)  
PAINT-W (White)

- Colour match touch up paint

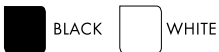






# ORDER CODES

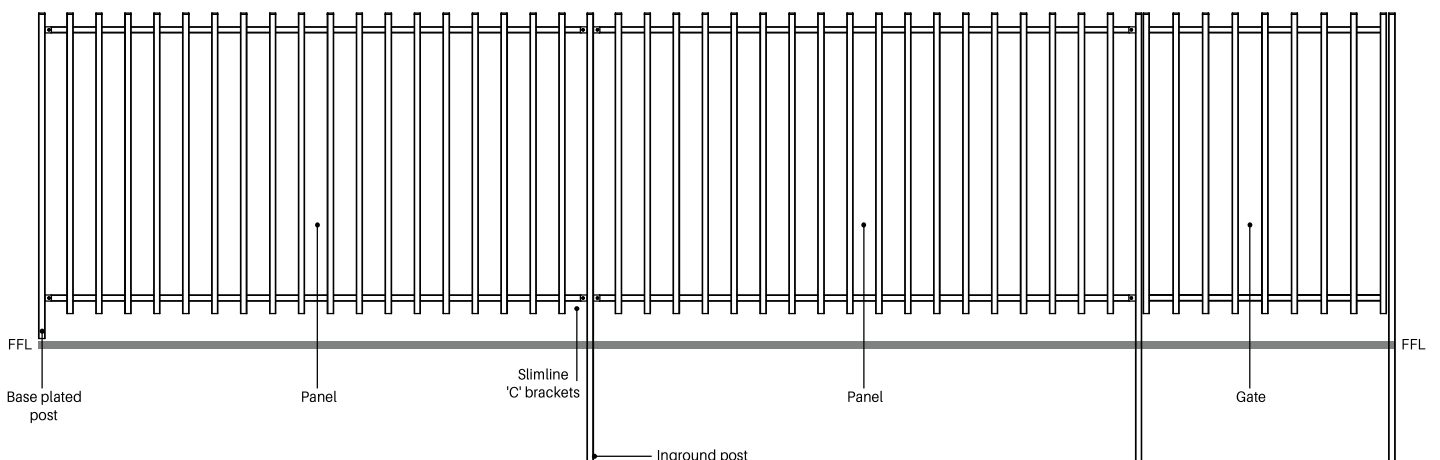
Order Code	Description	Colours
BR-PANEL-1733-1000-B/W	BARR 50 x 25 Panel – 1000mm H x 1733mm W	
BR-PANEL-2205-1200-B/W	BARR 50 x 25 Panel – 1200mm H x 2205mm W	
BR-PANEL-1969-1800-B/W	BARR 50 x 25 Panel – 1800mm H x 1969mm W	
BR-GATE-0975-1200-B/W	BARR 50 x 25 Gate – 1200mm H x 975mm W	
BR-GATE-0975-1800-B/W	BARR 50 x 25 Gate – 1800mm H x 975mm W	
BR-1280-BP-B/W	Post with welded base plate – 1280mm long	
BR-1800-B/W	Post – 1800mm long	
BR-2500-B/W	Post – 2500mm long	
BR-DR-B/W	Dress ring	
BR-TCA-B/W	BARR Aluminium Top Cap	
BR-BR25-B/W-4PK	BARR 'C' Bracket Kit	
BR-BR60-B/W-4PK	BARR Extended 'C' Bracket Kit	
BR-1000-GC-2PK-B/W	BARR Gate Converter – 1000mm high	
BR-1200-GC-2PK-B/W	BARR Gate Converter – 1200mm high	
BR-1800-GC-2PK-B/W	BARR Gate Converter – 1800mm high	



**For fencing accessories/hinges/latches refer pages 56-79**

## ASSEMBLY OVERVIEW OF BARR SYSTEM

SEAMLESS INTEGRATION OF PANELS & POSTS WITH MATCHING 50x25MM PROFILES



Images & drawings are not to scale