

---

# BALUSTRADE GLASS

---

At BLITZ GLASS we provide a range of glass fencing products that are suited to various styles of fencing.

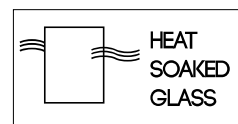
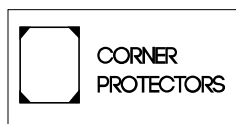
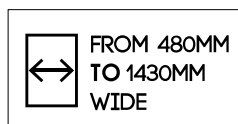
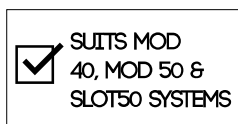
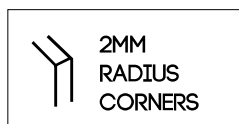
**(07) 5493 9779**

---

**WWW.BLITZGLASS.COM.AU**

## 10MM, 850MM HIGH CLEAR TOUGHENED + HEAT SOAKED GLASS PANELS

Order Code	Width	Height	Thickness	Sqm	Glass Weight KGS
850BGH-0480	480mm	850mm	10mm	0.41	10kg
850BGH-0530	530mm	850mm	10mm	0.45	11kg
850BGH-0580	580mm	850mm	10mm	0.49	12kg
850BGH-0630	630mm	850mm	10mm	0.54	13kg
850BGH-0680	680mm	850mm	10mm	0.58	14kg
850BGH-0730	730mm	850mm	10mm	0.62	16kg
850BGH-0780	780mm	850mm	10mm	0.66	17kg
850BGH-0830	830mm	850mm	10mm	0.71	18kg
850BGH-0880	880mm	850mm	10mm	0.75	19kg
850BGH-0930	930mm	850mm	10mm	0.79	20kg
850BGH-0980	980mm	850mm	10mm	0.83	21kg
850BGH-1030	1030mm	850mm	10mm	0.88	22kg
850BGH-1080	1080mm	850mm	10mm	0.92	23kg
850BGH-1130	1130mm	850mm	10mm	0.96	24kg
850BGH-1180	1180mm	850mm	10mm	1.00	25kg
850BGH-1230	1230mm	850mm	10mm	1.05	26kg
850BGH-1280	1280mm	850mm	10mm	1.09	27kg
850BGH-1330	1330mm	850mm	10mm	1.13	28kg
850BGH-1380	1380mm	850mm	10mm	1.17	29kg
850BGH-1430	1430mm	850mm	10mm	1.22	30kg

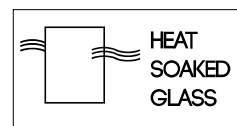
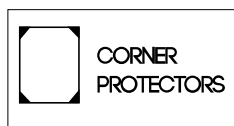
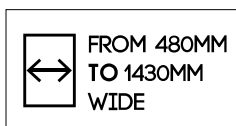
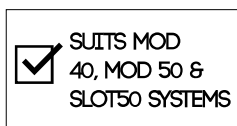
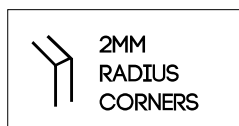


## 10MM, 950MM HIGH CLEAR TOUGHENED + HEAT SOAKED GLASS PANELS

Order Code	Width	Height	Thickness	Sqm	Glass Weight KGS
950BGH-0480	480mm	950mm	10mm	0.46	11kg
950BGH-0530	530mm	950mm	10mm	0.50	13kg
950BGH-0580	580mm	950mm	10mm	0.55	14kg
950BGH-0630	630mm	950mm	10mm	0.60	15kg
950BGH-0680	680mm	950mm	10mm	0.65	16kg
950BGH-0730	730mm	950mm	10mm	0.69	17kg
950BGH-0780	780mm	950mm	10mm	0.74	19kg
950BGH-0830	830mm	950mm	10mm	0.79	20kg
950BGH-0880	880mm	950mm	10mm	0.84	21kg
950BGH-0930	930mm	950mm	10mm	0.88	22kg
950BGH-0980	980mm	950mm	10mm	0.93	23kg
950BGH-1030	1030mm	950mm	10mm	0.98	24kg
950BGH-1080	1080mm	950mm	10mm	1.03	26kg
950BGH-1130	1130mm	950mm	10mm	1.07	27kg
950BGH-1180	1180mm	950mm	10mm	1.12	28kg
950BGH-1230	1230mm	950mm	10mm	1.17	29kg
950BGH-1280	1280mm	950mm	10mm	1.22	30kg
950BGH-1330	1330mm	950mm	10mm	1.26	32kg
950BGH-1380	1380mm	950mm	10mm	1.31	33kg
950BGH-1430	1430mm	950mm	10mm	1.36	34kg

All 850mm & 950mm high glass balustrade panels are toughened & HEAT SOAKED

**tip!** check recent amendments to the Building Code of Australia which requires Heat Soaked toughened glass in certain installations.



# NO HOLE 12MM TOUGHENED HEAT SOAKED GLASS

*Suitable for use with Nanorail & Summit Handrails*

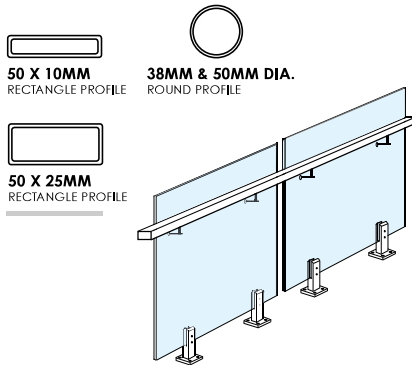
Order Code	Width	Height	Thickness	SQM	Weight
970NTG-0300	300mm	970mm	12mm	0.29	9kg
970NTG-0350	350mm	970mm	12mm	0.34	10kg
970NTG-0400	400mm	970mm	12mm	0.38	11kg
970NTG-0450	450mm	970mm	12mm	0.43	13kg
970NTG-0500	500mm	970mm	12mm	0.49	15kg
970NTG-0550	550mm	970mm	12mm	0.53	16kg
970NTG-0600	600mm	970mm	12mm	0.58	17kg
970NTG-0650	650mm	970mm	12mm	0.63	19kg
970NTG-0700	700mm	970mm	12mm	0.68	20kg
970NTG-0750	750mm	970mm	12mm	0.73	22kg
970NTG-0800	800mm	970mm	12mm	0.78	23kg
970NTG-0850	850mm	970mm	12mm	0.82	25kg
970NTG-0900	900mm	970mm	12mm	0.87	26kg
970NTG-0950	950mm	970mm	12mm	0.92	28kg
970NTG-1000	1000m m	970mm	12mm	0.97	29kg
970NTG-1050	1050m m	970mm	12mm	1.02	31kg
970NTG-1100	1100m m	970mm	12mm	1.07	32kg
970NTG-1150	1150mm	970mm	12mm	1.12	33kg
970NTG-1200	1200m m	970mm	12mm	1.16	35kg
970NTG-1250	1250m m	970mm	12mm	1.21	35kg
970NTG-1300	1300m m	970mm	12mm	1.26	38kg

970NTG-1350	1350m m	970mm	12mm	1.13	39kg
970NTG-1400	1400m m	970mm	12mm	1.36	41kg
970NTG-1450	1450m m	970mm	12mm	1.41	42kg
970NTG-1500	1500m m	970mm	12mm	1.46	44kg
970NTG-1550	1550m m	970mm	12mm	1.50	45kg
970NTG-1600	1600m m	970mm	12mm	1.55	47kg
970NTG-1650	1650m m	970mm	12mm	1.60	48kg
970NTG-1700	1700m m	970mm	12mm	1.65	49kg
970NTG-1750	1750m m	970mm	12mm	1.70	51kg
970NTG-1800	1800m m	970mm	12mm	1.75	52kg

## NO HOLE 12MM TOUGHENED HEAT SOAKED GLASS

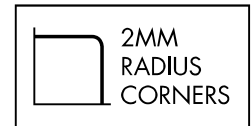
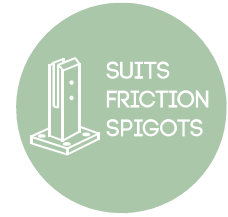
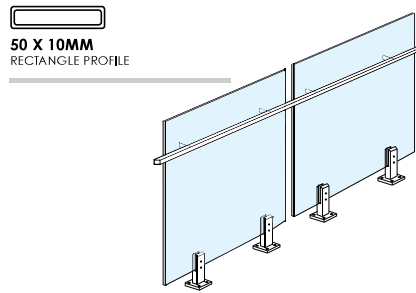
SUITABLE FOR USE WITH EURO & SOLO HANDRAILS

### EURO OFFSET HANDRAIL



### 50 X 10MM SOLO HANDRAIL

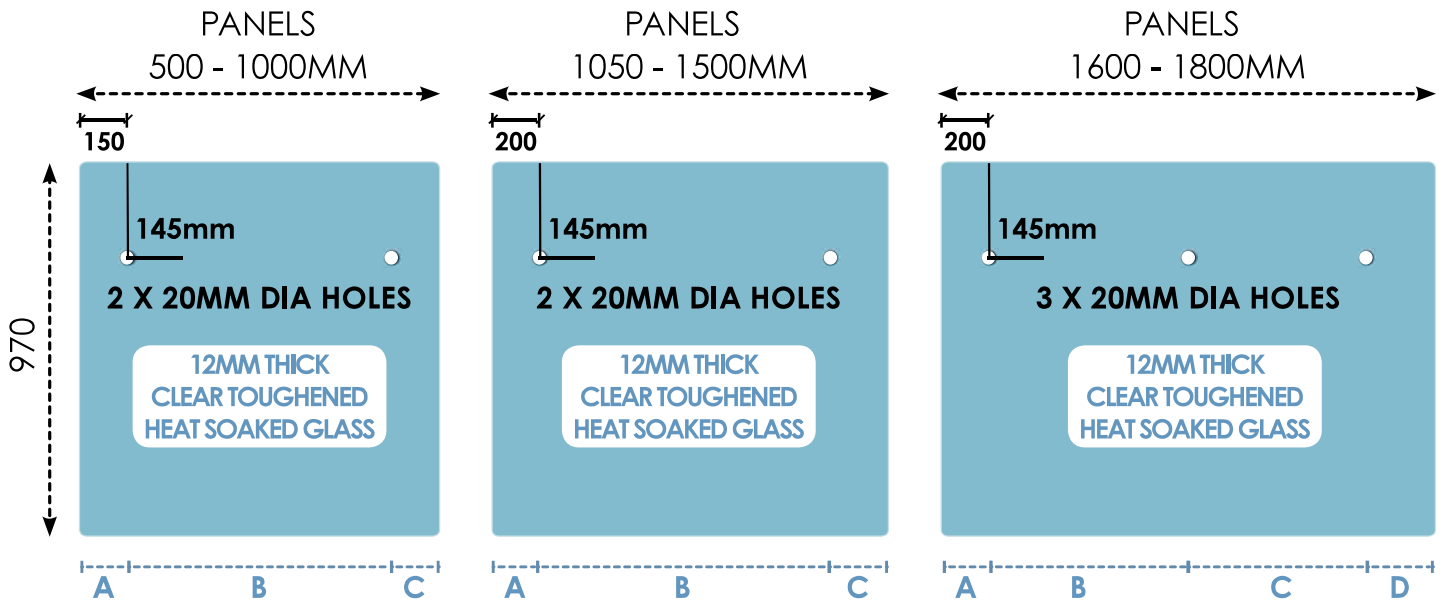
AFFIXED WITH SLIMLINE SLOTTED BRACKETS



Order Code	Width	Height	Thickness	Sqm	Glass Weight KGS
970NOS-0500	500mm	970mm	12mm	0.49	15kg
970NOS-0550	550mm	970mm	12mm	0.53	16kg
970NOS-0600	600mm	970mm	12mm	0.58	17kg
970NOS-0650	650mm	970mm	12mm	0.63	19kg
970NOS-0700	700mm	970mm	12mm	0.68	20kg
970NOS-0750	750mm	970mm	12mm	0.73	22kg
970NOS-0800	800mm	970mm	12mm	0.78	23kg
970NOS-0850	850mm	970mm	12mm	0.82	25kg
970NOS-0900	900mm	970mm	12mm	0.87	26kg
970NOS-0950	950mm	970mm	12mm	0.92	28kg
970NOS-1000	1000mm	970mm	12mm	0.97	29kg
970NOS-1050	1050mm	970mm	12mm	1.02	31kg
970NOS-1100	1100mm	970mm	12mm	1.07	32kg
970NOS-1150	1150mm	970mm	12mm	1.12	33kg
970NOS-1200	1200mm	970mm	12mm	1.16	35kg
970NOS-1250	1250mm	970mm	12mm	1.21	36kg
970NOS-1300	1300mm	970mm	12mm	1.26	38kg
970NOS-1350	1350mm	970mm	12mm	1.31	39kg
970NOS-1400	1400mm	970mm	12mm	1.36	41kg
970NOS-1450	1450mm	970mm	12mm	1.41	42kg
970NOS-1500	1500mm	970mm	12mm	1.46	44kg
970NOS-1550	1550mm	970mm	12mm	1.50	45kg
970NOS-1600	1600mm	970mm	12mm	1.55	47kg
970NOS-1650	1650mm	970mm	12mm	1.60	48kg
970NOS-1700	1700mm	970mm	12mm	1.65	49kg
970NOS-1750	1750mm	970mm	12mm	1.70	51kg
970NOS-1800	1800mm	970mm	12mm	1.75	52kg

## NO HOLE 12MM TOUGHENED HEAT SOAKED GLASS

SPIGOT PLACEMENT SPECIFICATIONS = TO CENTRE OF SPIGOT



Overall Width	A	B	C	D
500mm	150mm	200mm	150mm	
550mm	150mm	250mm	150mm	
600mm	150mm	300mm	150mm	
650mm	150mm	350mm	150mm	
700mm	150mm	400mm	150mm	
750mm	150mm	450mm	150mm	
800mm	150mm	500mm	150mm	
850mm	150mm	550mm	150mm	
900mm	150mm	600mm	150mm	
950mm	150mm	650mm	150mm	
1000mm	150mm	700mm	150mm	
1050mm	200mm	650mm	200mm	
1100mm	200mm	700mm	200mm	
1150mm	200mm	750mm	200mm	
1200mm	200mm	800mm	200mm	
1250mm	200mm	850mm	200mm	
1300mm	200mm	900mm	200mm	
1350mm	200mm	950mm	200mm	
1400mm	200mm	1000mm	200mm	
1450mm	200mm	1050mm	200mm	
1500mm	200mm	1100mm	200mm	
1550mm	200mm	1150mm	200mm	
1600mm	200mm	600mm	600mm	200mm
1650mm	200mm	625mm	625mm	200mm
1700mm	200mm	650mm	650mm	200mm
1750mm	200mm	675mm	675mm	200mm
1800mm	200mm	700mm	700mm	200mm

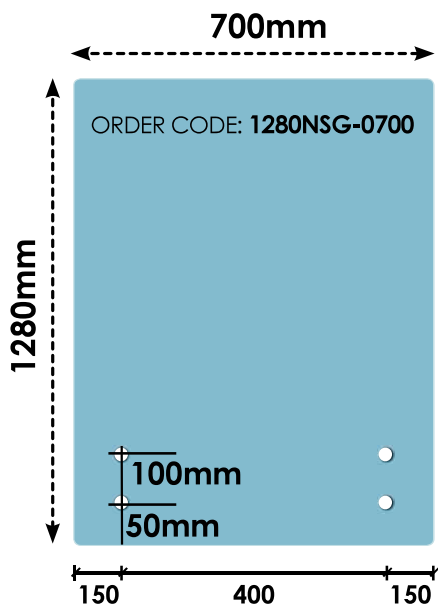
### DID YOU KNOW...

Heat Soaking is an extra processing step that takes place after glass is toughened. Glass is put in special racks and placed in a heat soak oven which heats up the panels to a certain temperature, holding this temperature for some hours, and cooling again to room temperature. This test seeks to induce breakage in the oven of any panel with NiS inclusion and/or stress in the glass hence reduce the chance of onsite breakages.

3 spigots specified for frameless balustrade panels 1600mm + wider

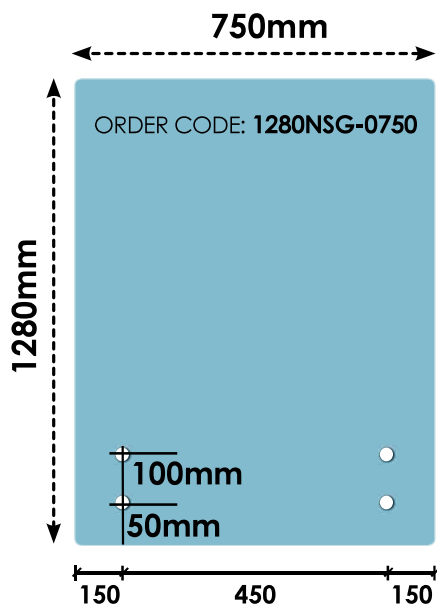
## 12MM HEAT SOAKED TOUGHENED GLASS PANELS

STANDOFF GLASS - SUITABLE FOR USE WITH SUMMIT HANDRAILS



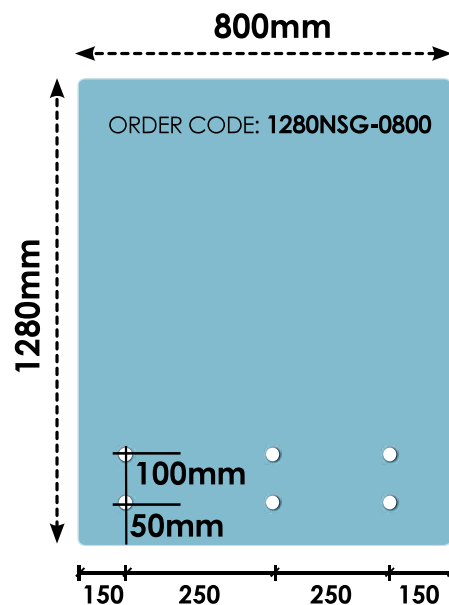
4 x 22mm diameter holes

Thickness	Sqm	Corner Radius	Glass Weight KGS
12mm	0.90	2mm	27kg



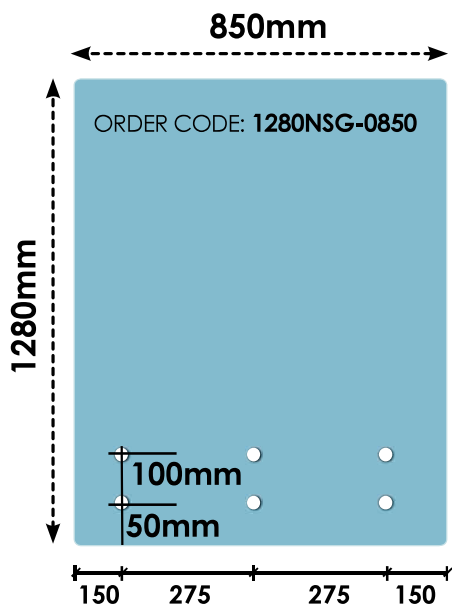
4 x 22mm diameter holes

Thickness	Sqm	Corner Radius	Glass Weight KGS
12mm	0.96	2mm	29kg



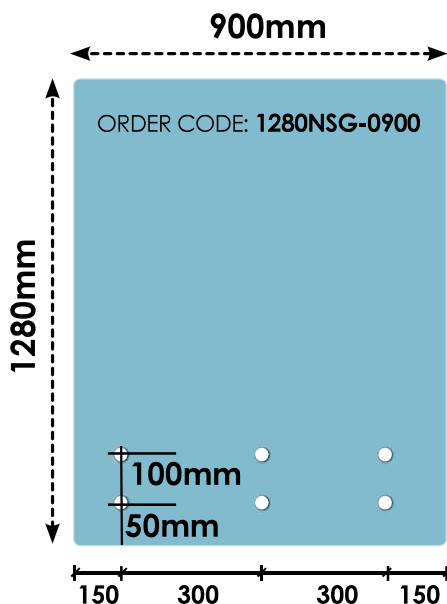
6 x 22mm diameter holes

Thickness	Sqm	Corner Radius	Glass Weight KGS
12mm	1.02	2mm	31kg



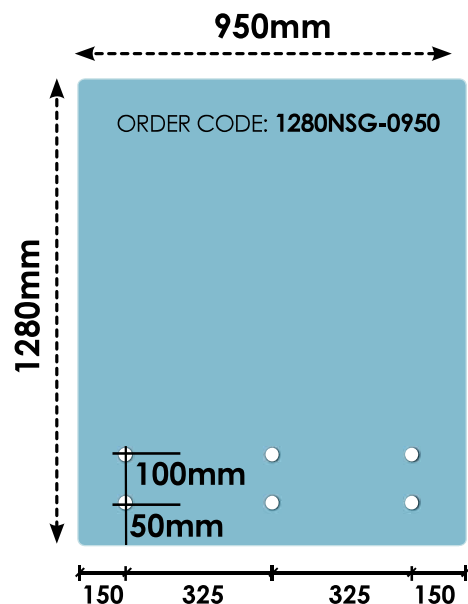
6 x 22mm diameter holes

Thickness	Sqm	Corner Radius	Glass Weight KGS
12mm	1.09	2mm	33kg



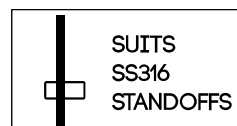
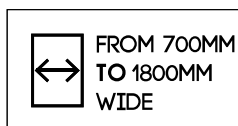
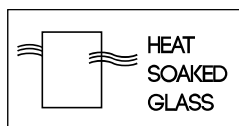
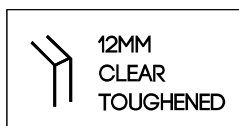
6 x 22mm diameter holes

Thickness	Sqm	Corner Radius	Glass Weight KGS
12mm	1.15	2mm	35kg



6 x 22mm diameter holes

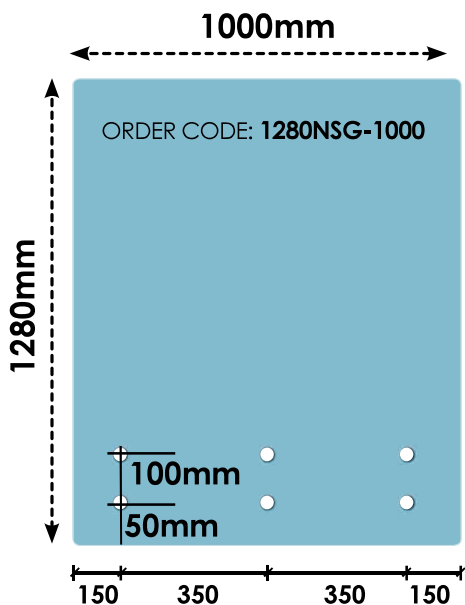
Thickness	Sqm	Corner Radius	Glass Weight KGS
12mm	1.22	2mm	37kg





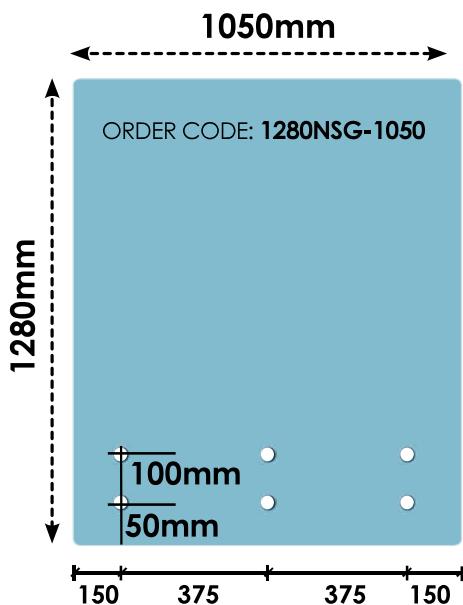
## 12MM HEAT SOAKED TOUGHENED GLASS PANELS

STANDOFF GLASS - SUITABLE FOR USE WITH SUMMIT HANDRAILS



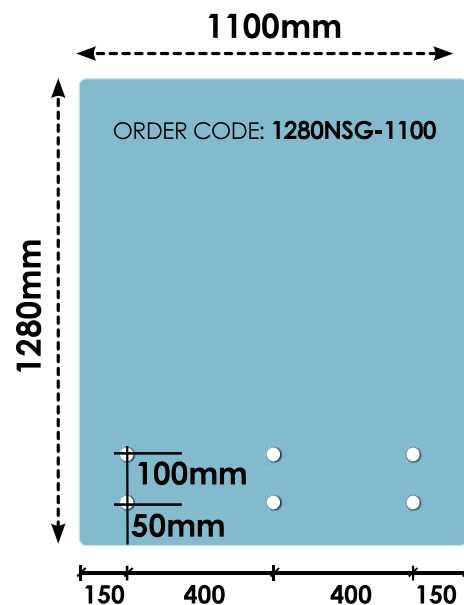
6 x 22mm diameter holes

Thickness	Sqm	Corner Radius	Glass Weight KGS
12mm	1.28	2mm	38kg



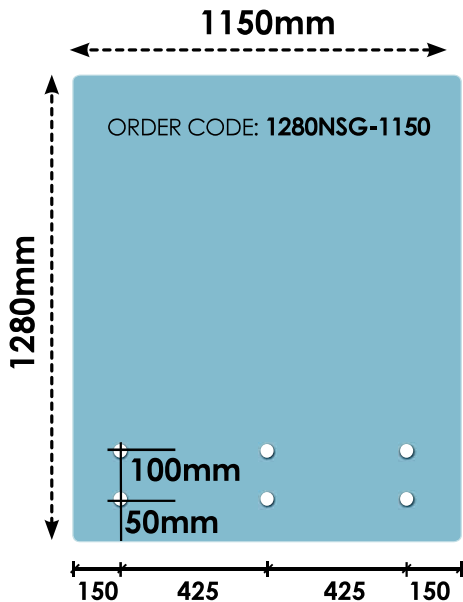
6 x 22mm diameter holes

Thickness	Sqm	Corner Radius	Glass Weight KGS
12mm	1.34	2mm	40kg



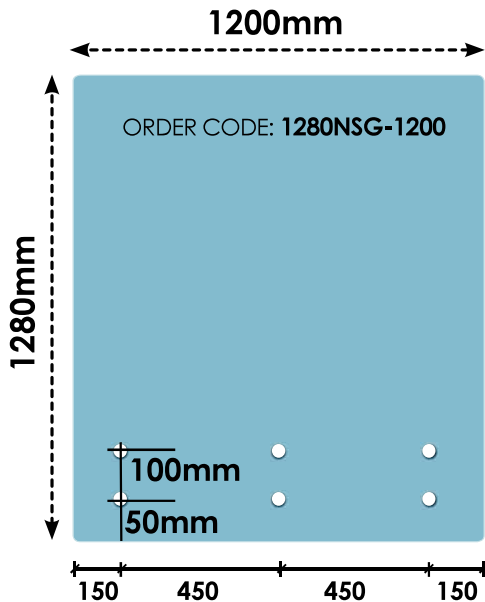
6 x 22mm diameter holes

Thickness	Sqm	Corner Radius	Glass Weight KGS
12mm	1.41	2mm	42kg



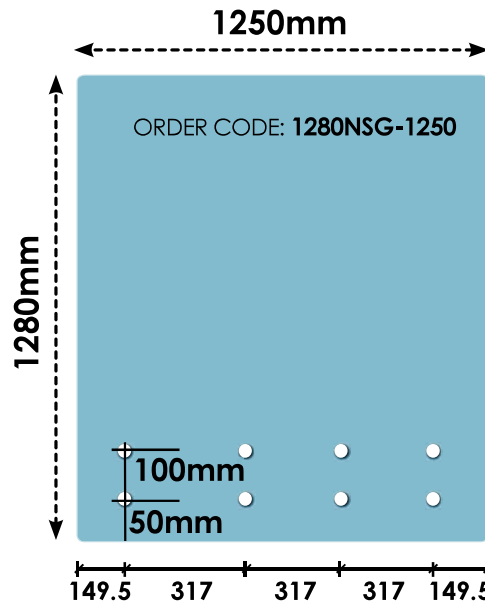
6 x 22mm diameter holes

Thickness	Sqm	Corner Radius	Glass Weight KGS
12mm	1.47	2mm	44kg



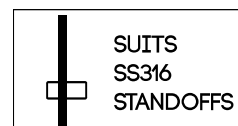
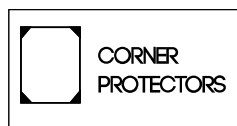
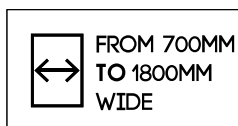
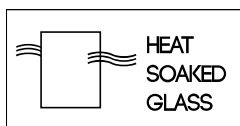
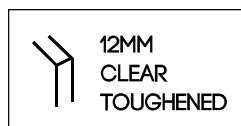
6 x 22mm diameter holes

Thickness	Sqm	Corner Radius	Glass Weight KGS
12mm	1.54	2mm	46kg



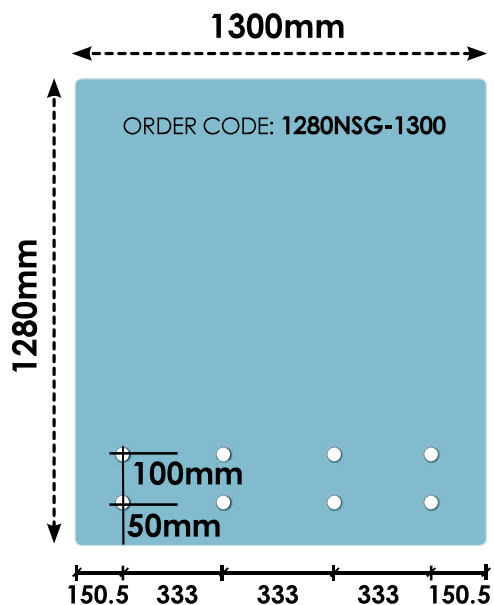
8 x 22mm diameter holes

Thickness	Sqm	Corner Radius	Glass Weight KGS
12mm	1.6	2mm	48kg



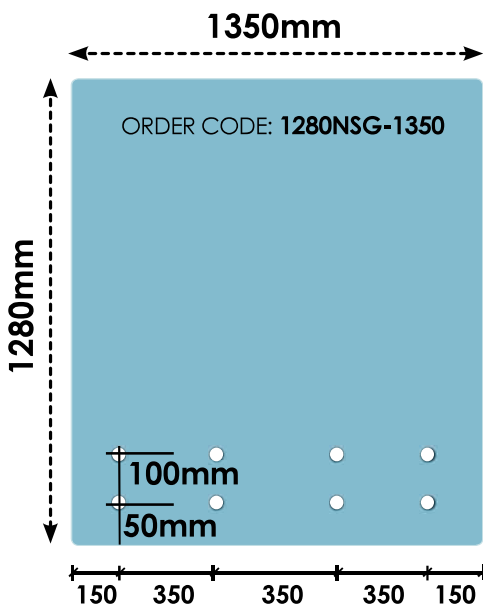
## 12MM HEAT SOAKED TOUGHENED GLASS PANELS

STANDOFF GLASS - SUITABLE FOR USE WITH SUMMIT HANDRAILS



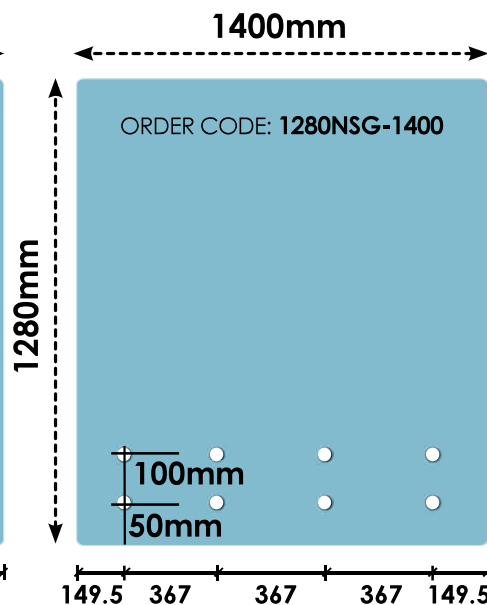
8 x 22mm diameter holes

Thickness	Sqm	Corner Radius	Glass Weight KGS
12mm	1.66	2mm	50kg



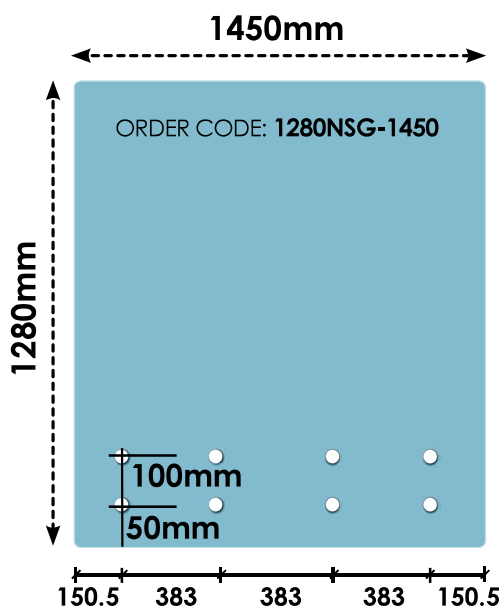
8 x 22mm diameter holes

Thickness	Sqm	Corner Radius	Glass Weight KGS
12mm	1.73	2mm	52kg



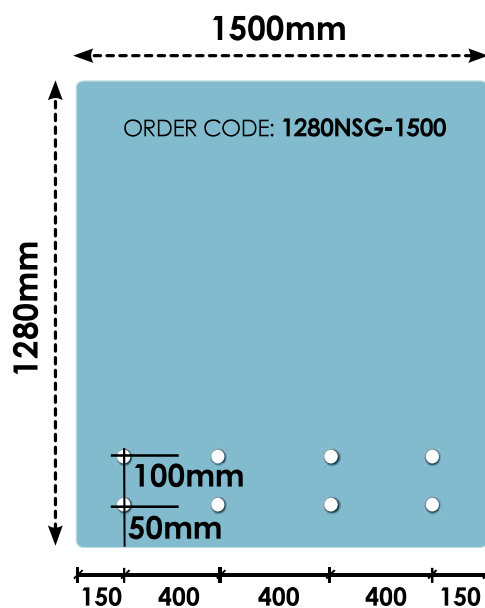
8 x 22mm diameter holes

Thickness	Sqm	Corner Radius	Glass Weight KGS
12mm	1.79	2mm	54kg



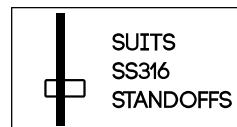
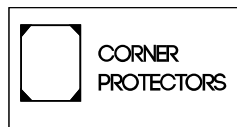
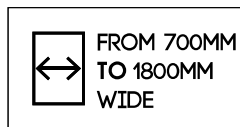
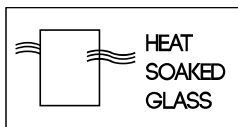
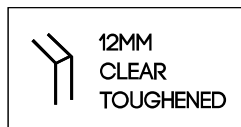
8 x 22mm diameter holes

Thickness	Sqm	Corner Radius	Glass Weight KGS
12mm	1.86	2mm	56kg



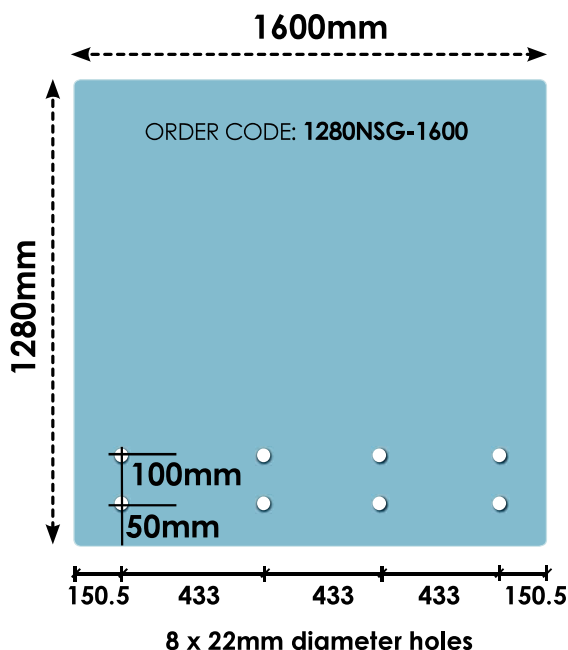
8 x 22mm diameter holes

Thickness	Sqm	Corner Radius	Glass Weight KGS
12mm	1.92	2mm	58kg

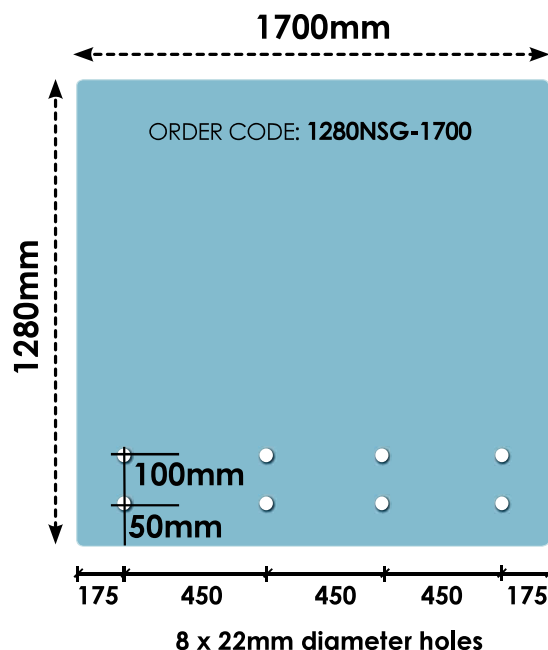


## 12MM HEAT SOAKED TOUGHENED GLASS PANELS

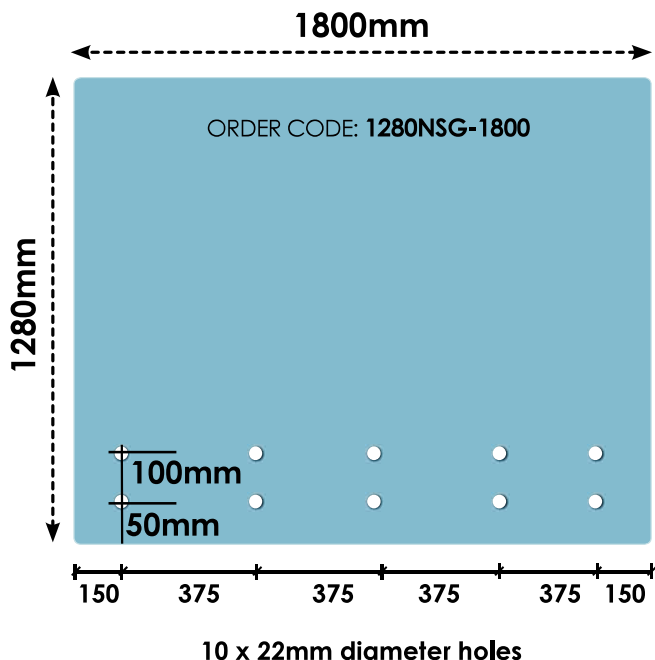
STANDOFF GLASS - SUITABLE FOR USE WITH SUMMIT HANDRAILS



Thickness	Sqm	Corner Radius	Glass Weight KGS
12mm	2.05	2mm	61kg



Thickness	Sqm	Corner Radius	Glass Weight KGS
12mm	2.18	2mm	65kg

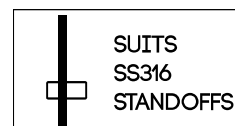
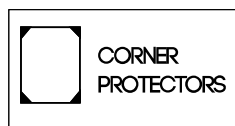
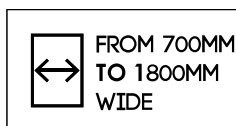
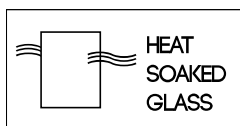
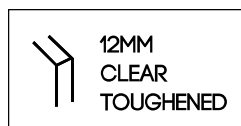


Thickness	Sqm	Corner Radius	Glass Weight KGS
12mm	2.30	2mm	69kg

### DID YOU KNOW..

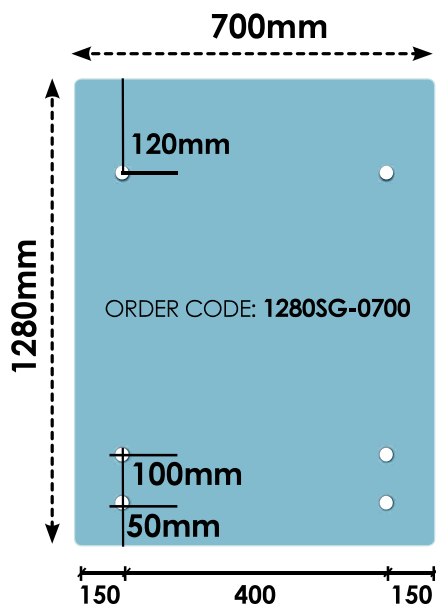
Heat Soaking is an extra processing step that takes place after glass is toughened. Glass is put in special racks and placed in a heat soak oven which heats up the panels to a certain temperature, holding this temperature for some hours, and cooling again to room temperature. This test seeks to induce breakage in the oven of any panel with NiS inclusion and hence reduce the chance of onsite breakages.

Glass Outlet's utilises a heat soak oven meeting the requirements of BS EN 14179-1:2005. Please check with relevant Building Code of Australia regulations and/or Australian Standards regarding specific requirements for heat soaked tempered glass.



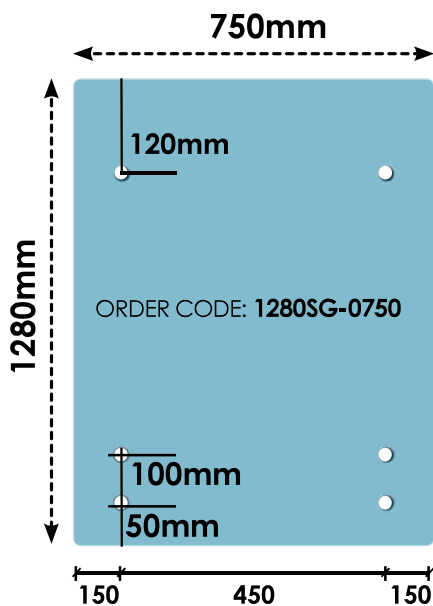
## 12MM HEAT SOAKED TOUGHENED GLASS PANELS

STANDOFF GLASS - SUITABLE FOR USE WITH EURO OFFSET & SOLO HANDRAILS



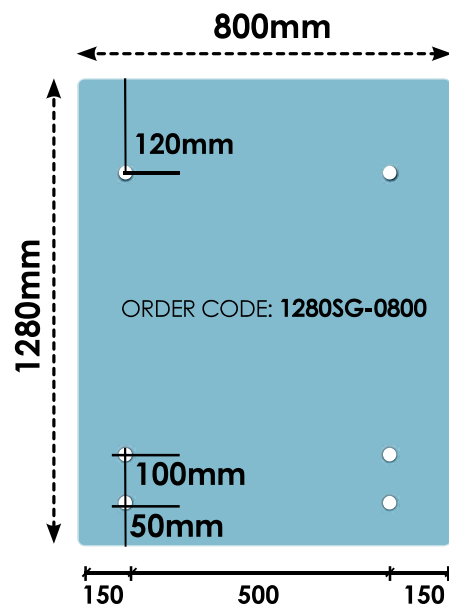
TOP holes 2 x 20mm diameter  
BOTTOM holes 4 x 22mm diameter

Thickness	Sqm	Corner Radius	Glass Weight KGS
12mm	0.9	2mm	27kg



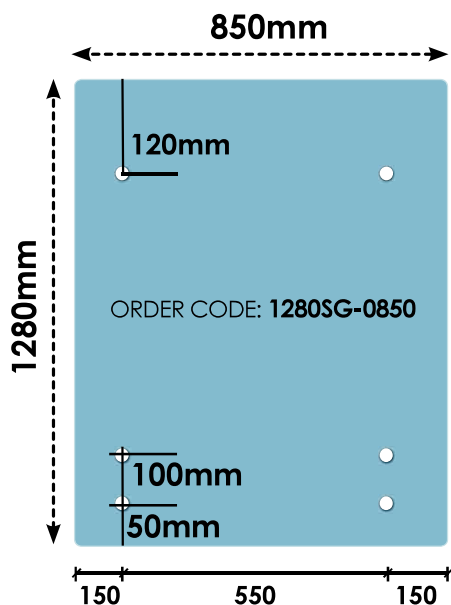
TOP holes 2 x 20mm diameter  
BOTTOM holes 4 x 22mm diameter

Thickness	Sqm	Corner Radius	Glass Weight KGS
12mm	0.96	2mm	29kg



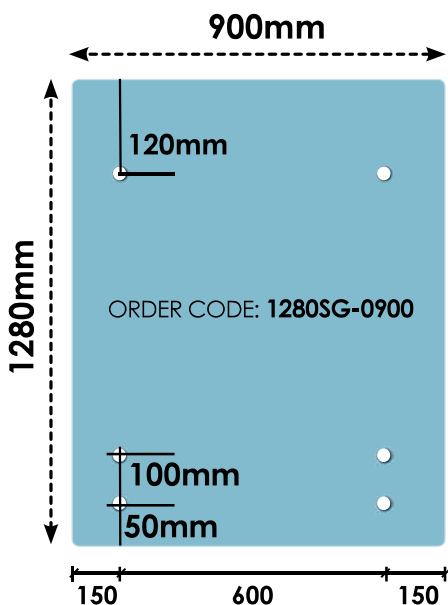
TOP holes 2 x 20mm diameter  
BOTTOM holes 4 x 22mm diameter

Thickness	Sqm	Corner Radius	Glass Weight KGS
12mm	1.02	2mm	31kg



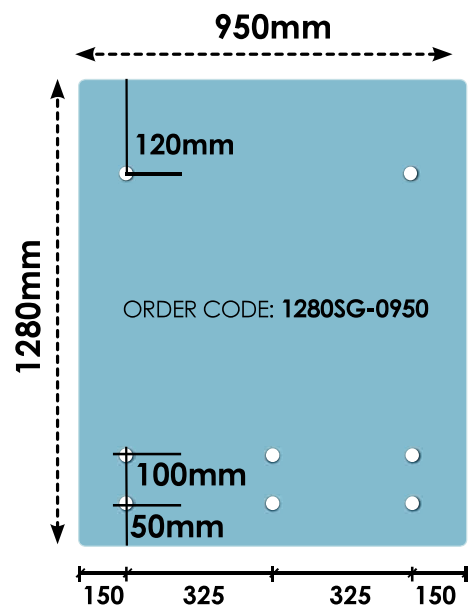
TOP holes 2 x 20mm diameter  
BOTTOM holes 4 x 22mm diameter

Thickness	Sqm	Corner Radius	Glass Weight KGS
12mm	1.09	2mm	33kg



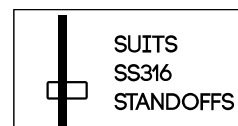
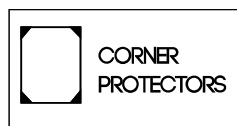
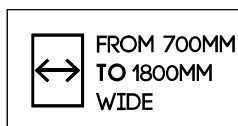
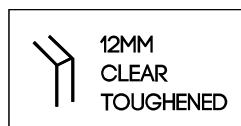
TOP holes 2 x 20mm diameter  
BOTTOM holes 4 x 22mm diameter

Thickness	Sqm	Corner Radius	Glass Weight KGS
12mm	1.15	2mm	35kg



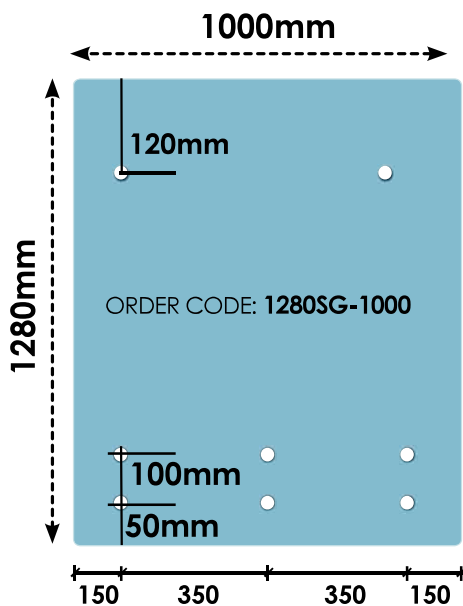
TOP holes 2 x 20mm diameter  
BOTTOM holes 6 x 22mm diameter

Thickness	Sqm	Corner Radius	Glass Weight KGS
12mm	1.22	2mm	37kg



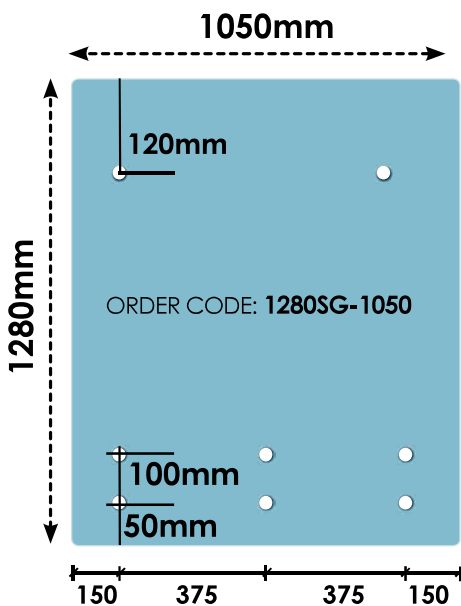
## 12MM HEAT SOAKED TOUGHENED GLASS PANELS

STANDOFF GLASS - SUITABLE FOR USE WITH EURO OFFSET & SOLO HANDRAILS



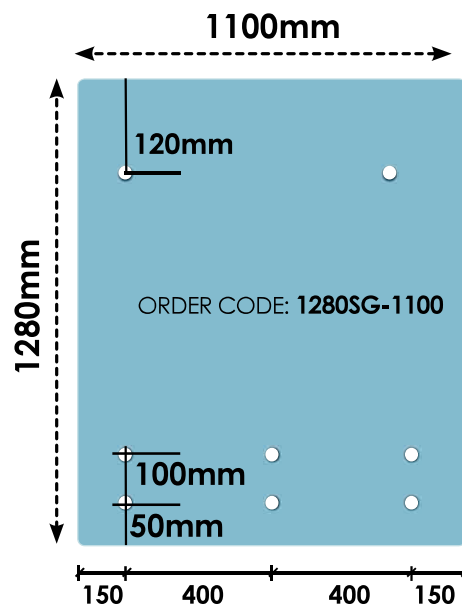
TOP holes 2 x 20mm diameter  
BOTTOM holes 6 x 22mm diameter

Thickness	Sqm	Corner Radius	Glass Weight KGS
12mm	1.28	2mm	38kg



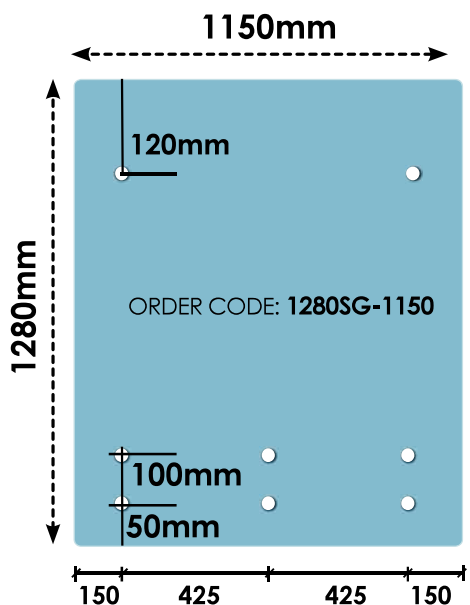
TOP holes 2 x 20mm diameter  
BOTTOM holes 6 x 22mm diameter

Thickness	Sqm	Corner Radius	Glass Weight KGS
12mm	1.34	2mm	40kg



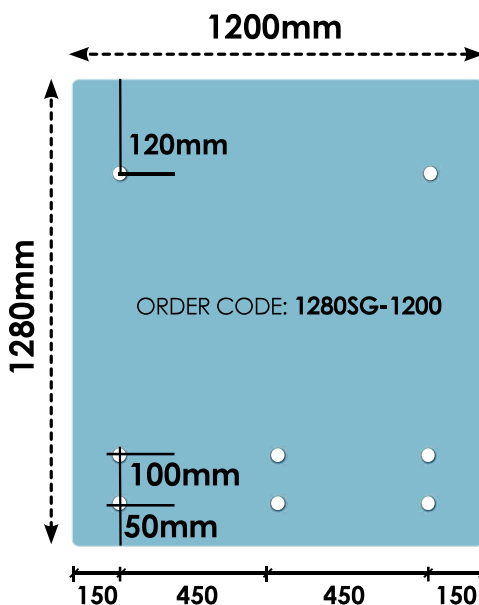
TOP holes 2 x 20mm diameter  
BOTTOM holes 6 x 22mm diameter

Thickness	Sqm	Corner Radius	Glass Weight KGS
12mm	1.41	2mm	42kg



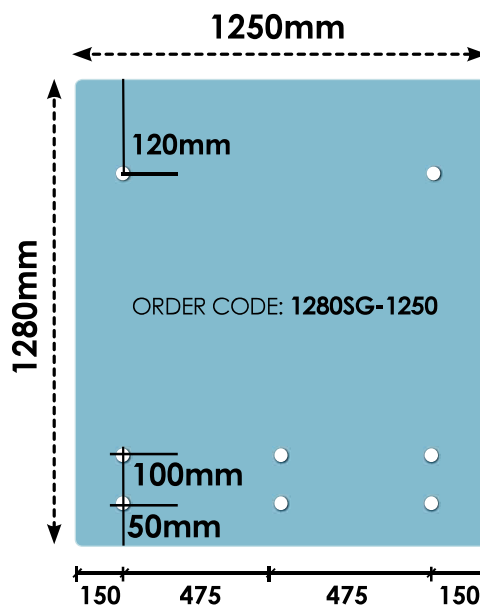
TOP holes 2 x 20mm diameter  
BOTTOM holes 6 x 22mm diameter

Thickness	Sqm	Corner Radius	Glass Weight KGS
12mm	1.47	2mm	44kg



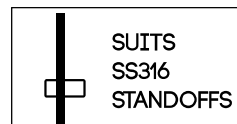
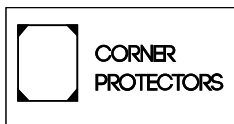
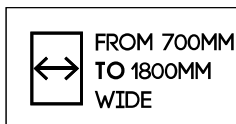
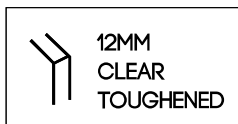
TOP holes 2 x 20mm diameter  
BOTTOM holes 6 x 22mm diameter

Thickness	Sqm	Corner Radius	Glass Weight KGS
12mm	1.54	2mm	46kg



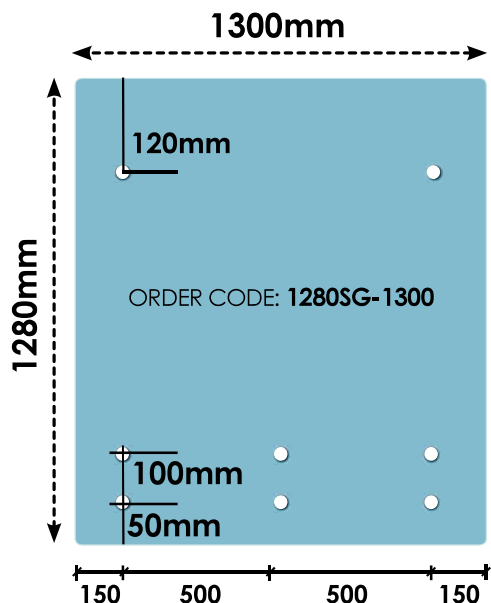
TOP holes 2 x 20mm diameter  
BOTTOM holes 6 x 22mm diameter

Thickness	Sqm	Corner Radius	Glass Weight KGS
12mm	1.6	2mm	48kg



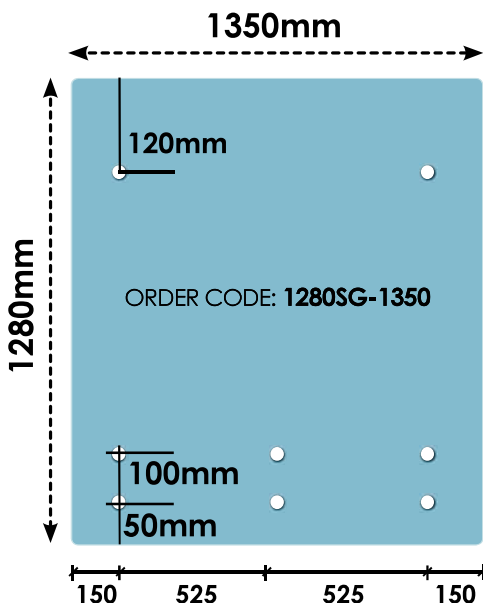
## 12MM HEAT SOAKED TOUGHENED GLASS PANELS

STANDOFF GLASS - SUITABLE FOR USE WITH EURO OFFSET & SOLO HANDRAILS



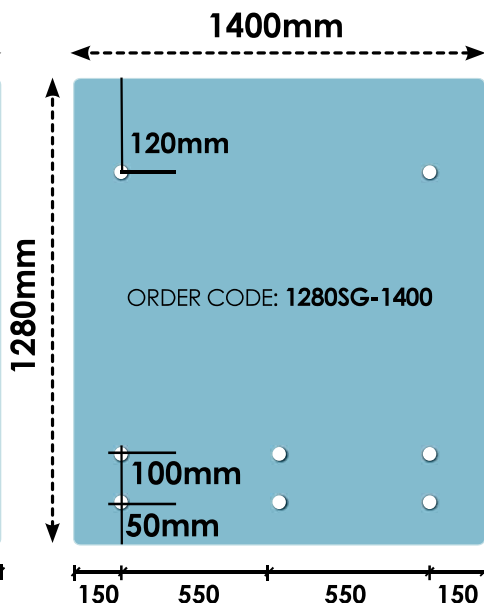
TOP holes 2 x 20mm diameter  
BOTTOM holes 6 x 22mm diameter

Thickness	Sqm	Corner Radius	Glass Weight KGS
12mm	1.66	2mm	50kg



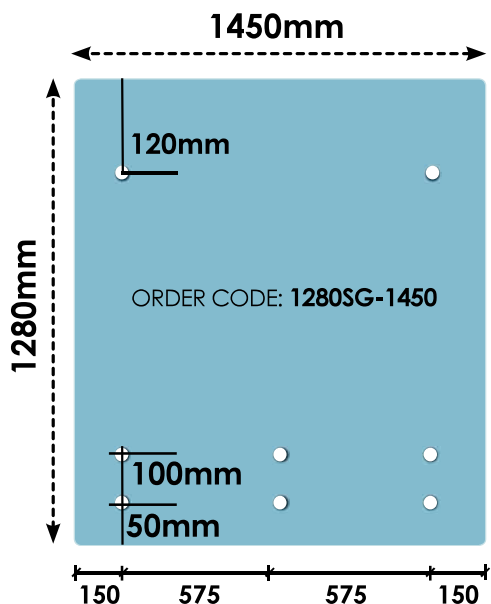
TOP holes 2 x 20mm diameter  
BOTTOM holes 6 x 22mm diameter

Thickness	Sqm	Corner Radius	Glass Weight KGS
12mm	1.73	2mm	52kg



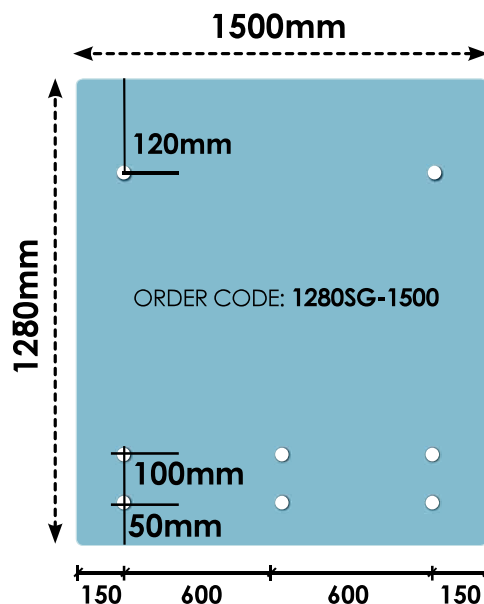
TOP holes 2 x 20mm diameter  
BOTTOM holes 6 x 22mm diameter

Thickness	Sqm	Corner Radius	Glass Weight KGS
12mm	1.79	2mm	54kg



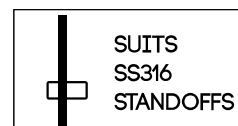
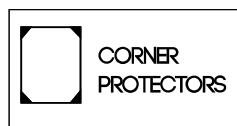
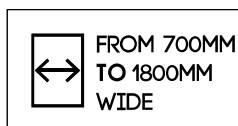
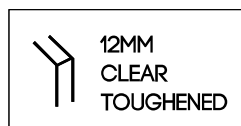
TOP holes 2 x 20mm diameter  
BOTTOM holes 6 x 22mm diameter

Thickness	Sqm	Corner Radius	Glass Weight KGS
12mm	1.86	2mm	56kg



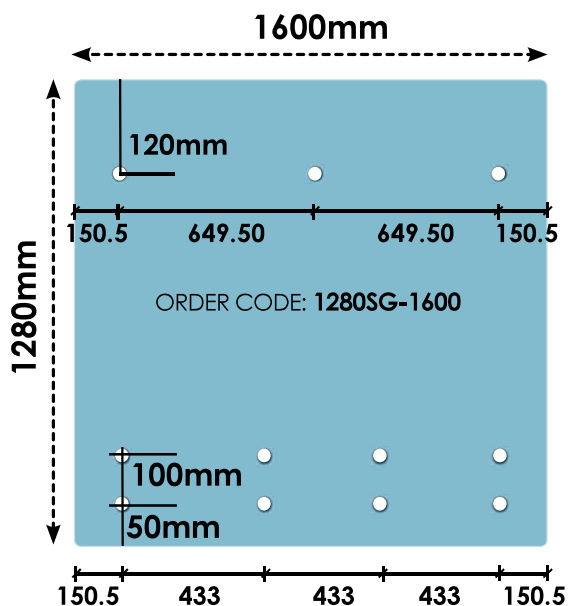
TOP holes 2 x 20mm diameter  
BOTTOM holes 6 x 22mm diameter

Thickness	Sqm	Corner Radius	Glass Weight KGS
12mm	1.92	2mm	58kg



## 12MM HEAT SOAKED TOUGHENED GLASS PANELS

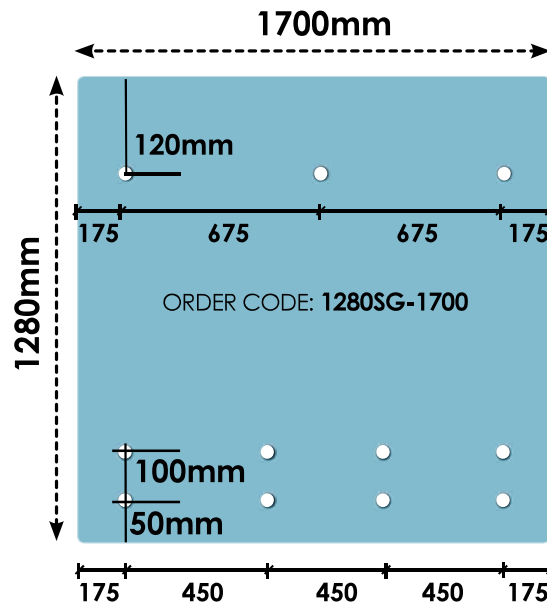
STANDOFF GLASS - SUITABLE FOR USE WITH EURO OFFSET & SOLO HANDRAILS



ORDER CODE: 1280SG-1600

TOP holes 3 x 20mm diameter  
BOTTOM holes 8 x 22mm diameter

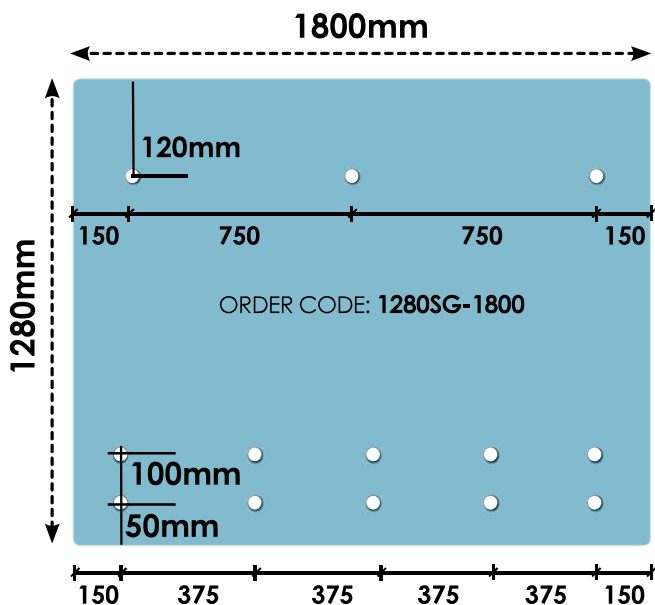
Thickness	Sqm	Corner Radius	Glass Weight KGS
12mm	2.05	2mm	61kg



ORDER CODE: 1280SG-1700

TOP holes 3 x 20mm diameter  
BOTTOM holes 8 x 22mm diameter

Thickness	Sqm	Corner Radius	Glass Weight KGS
12mm	2.18	2mm	65kg



ORDER CODE: 1280SG-1800

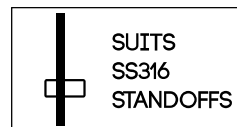
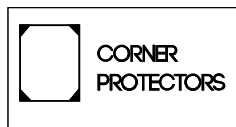
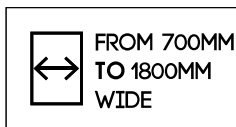
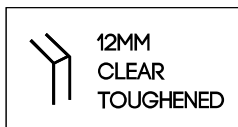
TOP holes 3 x 20mm diameter  
BOTTOM holes 10 x 22mm diameter

Thickness	Sqm	Corner Radius	Glass Weight KGS
12mm	2.30	2mm	69kg

### DID YOU KNOW...

Heat Soaking is an extra processing step that takes place after glass is toughened. Glass is put in special racks and placed in a heat soak oven which heats up the panels to a certain temperature, holding this temperature for some hours, and cooling again to room temperature. This test seeks to induce breakage in the oven of any panel with NiS inclusion and hence reduce the chance of on site breakages.

Glass Outlet utilises a heat soak oven meeting the requirements of BS EN 14179-1:2005. Please check with relevant Building Code of Australia regulations and/or Australian Standards regarding specific requirements for heat soaked tempered glass.



## NO HOLE 11.52MM TOUGHENED HEAT SOAKED GLASS

Order Code	Width	Height	Thickness	SQM	Weight
1000DG-0300	300mm	1000mm	11.52mm	0.29	9kg
1000DG-0350	350mm	1000mm	11.52mm	0.34	10kg
1000DG-0400	400mm	1000mm	11.52mm	0.38	11kg
1000DG-0450	450mm	1000mm	11.52mm	0.43	13kg
1000DG-0500	500mm	1000mm	11.52mm	0.49	15kg
1000DG-0550	550mm	1000mm	11.52mm	0.53	16kg
1000DG-0600	600mm	1000mm	11.52mm	0.58	17kg
1000DG-0650	650mm	1000mm	11.52mm	0.63	19kg
1000DG-0700	700mm	1000mm	11.52mm	0.68	20kg
1000DG-0750	750mm	1000mm	11.52mm	0.73	22kg
1000DG-0800	800mm	1000mm	11.52mm	0.78	23kg
1000DG-0850	850mm	1000mm	11.52mm	0.82	25kg
1000DG-0900	900mm	1000mm	11.52mm	0.87	26kg
1000DG-0950	950mm	1000mm	11.52mm	0.92	28kg
1000DG-1000	1000mm	1000mm	11.52mm	0.97	29kg
1000DG-1050	1050mm	1000mm	11.52mm	1.02	31kg
1000DG-1100	1100mm	1000mm	11.52mm	1.07	32kg
1000DG-1150	1150mm	1000mm	11.52mm	1.12	33kg
1000DG-1200	1200mm	1000mm	11.52mm	1.16	35kg
1000DG-1250	1250mm	1000mm	11.52mm	1.21	35kg
1000DG-1300	1300mm	1000mm	11.52mm	1.26	38kg
1000DG-1350	1350mm	1000mm	11.52mm	1.13	39kg
1000DG-1400	1400mm	1000mm	11.52mm	1.36	41kg
1000DG-1450	1450mm	1000mm	11.52mm	1.41	42kg
1000DG-1500	1500mm	1000mm	11.52mm	1.46	44kg