
BARR FENCING



(07) 5493 9779

WWW.BLITZGLASS.COM.AU

NEW RELEASE

BARR FENCING



Overview

BARR is a new design sensation providing the much sought after 'floating battens' look.

Panels & gates are welded and are made from 50x25mm aluminium extrusion with a sturdy 25x25mm extrusion utilised for top/bottom rails.

BARR's unique style is achieved via the 25x25mm rails passing through precision punched holes in the 50x25mm pickets – NOT face welded.

This key design feature results in a panel which is unparalleled in strength and style.

Finishes —

Genuine Akzo Nobel powder coat



SATIN BLACK
GN150A



PEARL WHITE
GA078A (W)



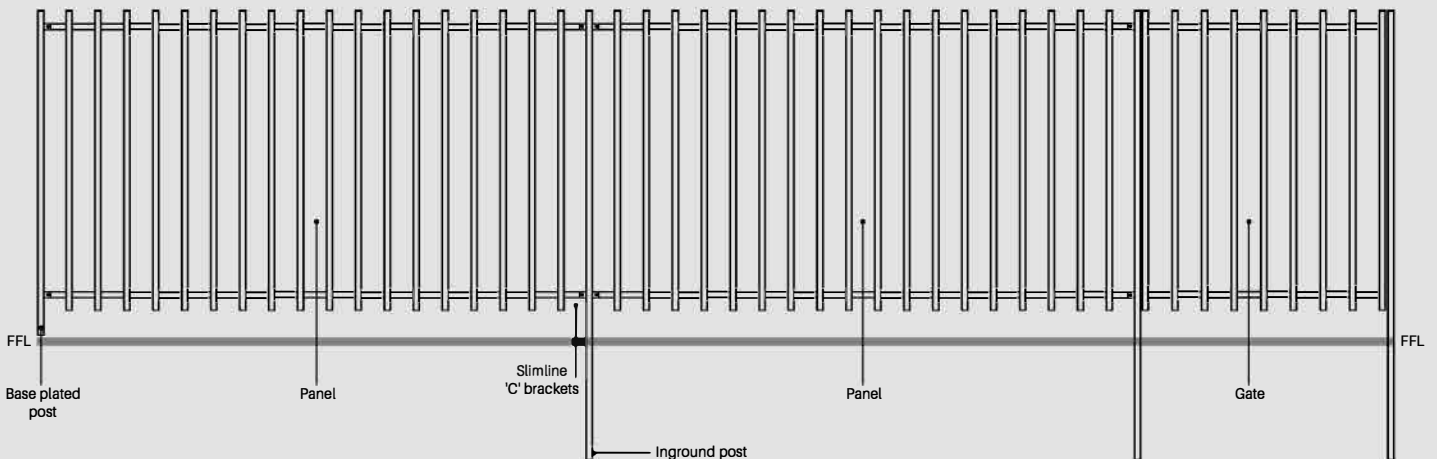
Satin black



Pearl white

ASSEMBLY OVERVIEW OF BARR SYSTEM

SEAMLESS INTEGRATION OF PANELS & POSTS WITH MATCHING 50x25MM PROFILES





BARR FENCING PANELS



1000MM H
PANELS
AVAILABLE
JANUARY
2023



Satin black



Pearl white

TRADE TIP

Allow total bracket gap of 10 to 14mm so a 1733mm wide panel fits a daylight opening of 1743 to 1747mm

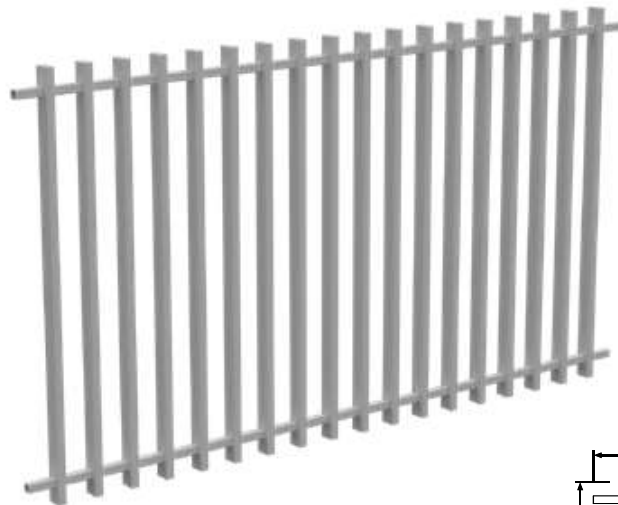
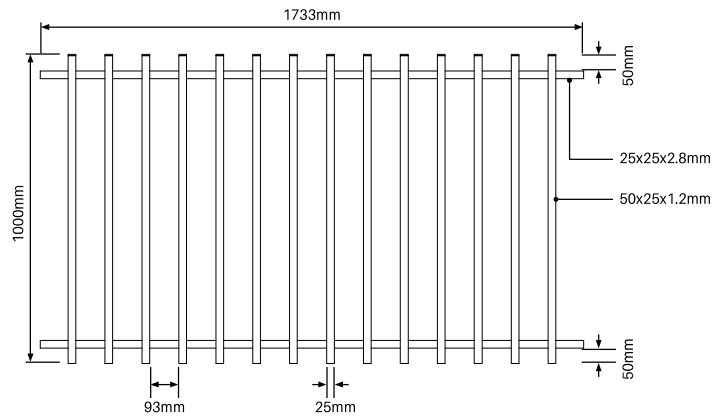
BARR 50 x 25 Panel

1000MM H x 1733MM W

Satin black (GN150A) or **pearl white** (GA078A) finish

Order Code: **BR-PANEL-1733-1000-B/W**

- 1000mm high panel; aluminium alloy 6063-T6
- 50x25mm pickets/balusters with 25mm front/facing edge
- Cap pre-inserted in the top of each picket
- Sturdy 25x25x2.8mm horizontal top/bottom rails pass through the centre of punched pickets
- Pickets welded to rails
- Panel construction is very strong with rails passing through pickets
- 50x25mm picket provides the sought after seamless 'batten' look
- Being 1000mm high, ideal for garden/perimeter fencing
- Panel easily cut down in width



Satin black



Pearl white

TRADE TIP

Allow total bracket gap of 10 to 14mm so a 2205mm wide panel fits a daylight opening of 2215 to 2219mm

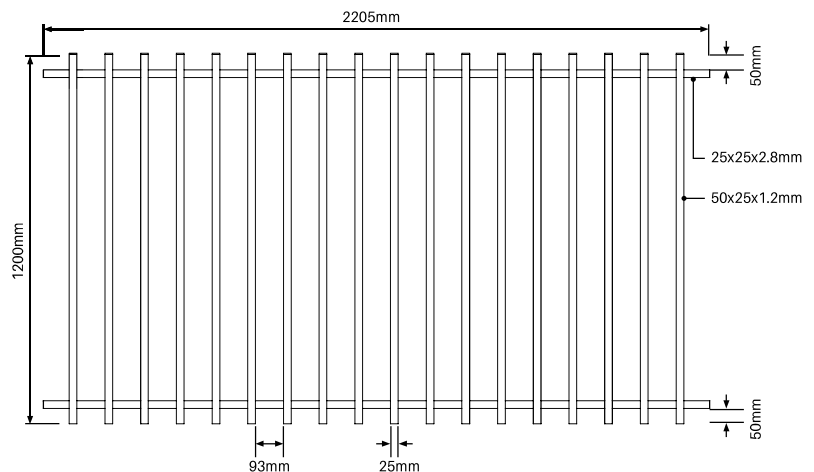
BARR 50 x 25 Panel

1200MM H x 2205MM W

Satin black (GN150A) or **pearl white** (GA078A) finish

Order Code: **BR-PANEL-2205-1200-B/W**

- Pool fencing compliant to AS 1926.1
- 1200mm high panel; aluminium alloy 6063-T6
- 50x25mm pickets/balusters with 25mm front/facing edge
- Cap pre-inserted in the top of each picket
- Sturdy 25x25x2.8mm horizontal top/bottom rails pass through the centre of punched pickets
- Pickets welded to rails
- Panel construction is very strong with rails passing through pickets
- 50x25mm picket provides the sought after seamless 'batten' look
- Panel easily cut down in width





BARR FENCING PANELS

BLACK PANELS
AVAILABLE NOV 2022

WHITE PANELS
AVAILABLE JAN 2023



TRADE TIP

Allow total bracket gap of 10 to 14mm so a 1969mm wide panel fits a daylight opening of 1979 to 1983mm

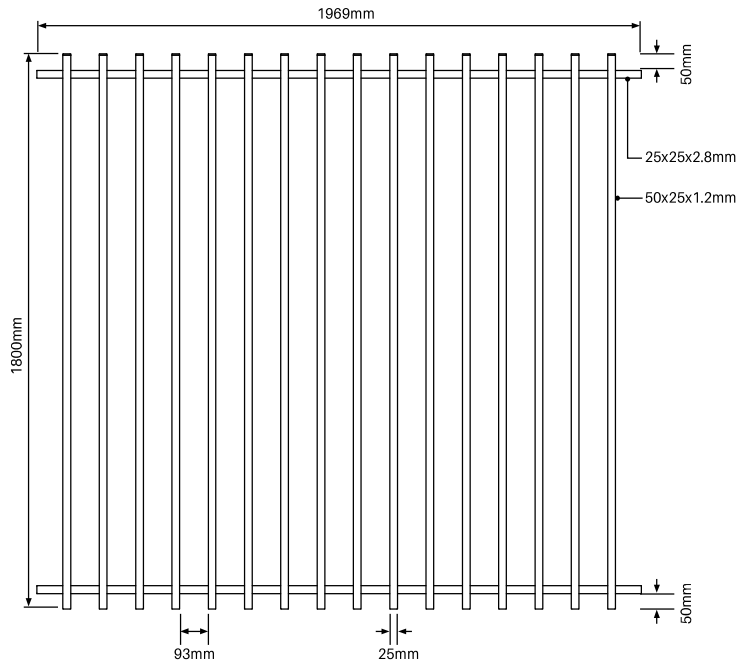
BARR 50 x 25 Panel

1800MM H x 1969MM W

Satin black (GN150A) or pearl white (GA078A) finish

Order Code: **BR-PANEL-1969-1800-B/W**

- Pool fencing compliant to AS 1926.1; also ideal for boundary fencing
- 1800mm high panel; aluminium alloy 6063-T6
- 50x25mm pickets/balusters with 25mm front/facing edge
- Cap pre-inserted in the top of each picket
- Sturdy 25x25x2.8mm horizontal top/bottom rails pass through the centre of punched pickets
- Pickets welded to rails
- Panel construction is very strong with rails passing through pickets
- 50x25mm picket provides the sought after seamless 'batten' look
- Panel easily cut down in width





BARR FENCING GATES



Satin black



Pearl white

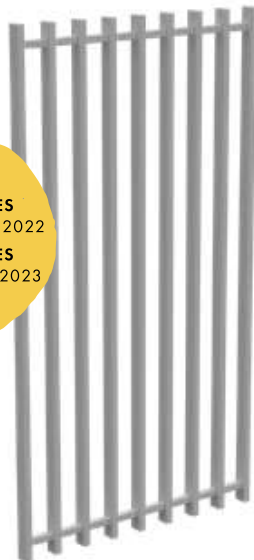
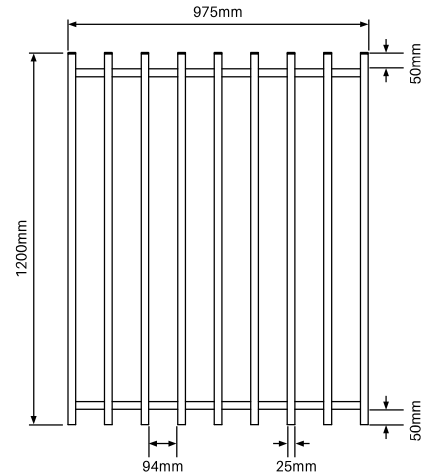
BARR 50 x 25 Gate

1200MM H x 975MM W

Satin black (GN150A) or pearl white (GA078A) finish

Order Code: BR-GATE-0975-1200-B/W

- Pool fencing compliant to AS 1926.1
- 975mm wide x 1200mm high gate
- Aluminium alloy 6063-T6
- Same construction method as panels - horizontal rails pass through 50x25mm punched pickets & welded
- Gate side stiles are also 50x25mm
- To ensure maximum strength, four sided welding of horizontal rails to vertical gate stiles
- Caps pre-inserted into pickets



BLACK GATES
AVAILABLE NOV 2022

WHITE GATES
AVAILABLE JAN 2023



Satin black



Pearl white

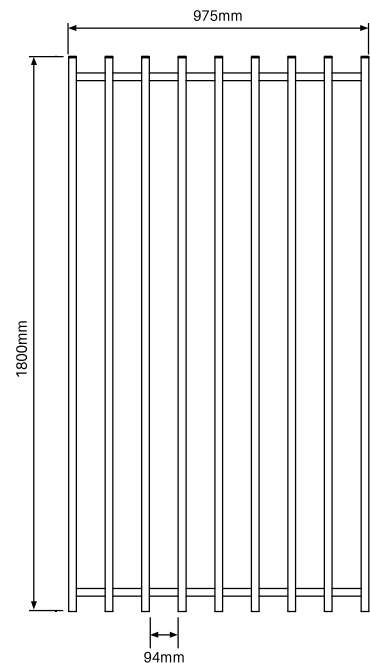
BARR 50 x 25 Gate

1800MM H x 975MM W

Satin black (GN150A) or pearl white (GA078A) finish

Order Code: BR-GATE-0975-1800-B/W

- Pool fencing compliant to AS 1926.1
- 975mm wide x 1800mm high gate
- Aluminium alloy 6063-T6
- Same construction method as panels - horizontal rails pass through 50x25mm punched pickets & welded
- Gate side stiles are also 50x25mm
- To ensure maximum strength, four sided welding of horizontal rails to gate stiles
- Caps pre-inserted into pickets





BARR FENCING POSTS



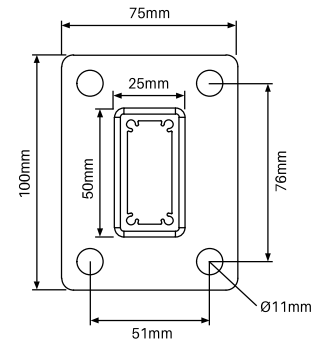
Post with welded base plate

1280mm long

Satin black or pearl white finish

Order Code: **BR-1280-BP-B/W**

- 50x25x3mm post with welded 100x75mm base plate
- Base plate is 10mm thick
- Superior rigidity with 3mm wall thickness post
- Top cap pre-inserted
- Aluminium alloy 6063-T6
- 50x25mm post profile matches pickets to give a continuous 'batten' look.
- Traditionally posts are 50x50mm which breaks up the symmetrical batten look.



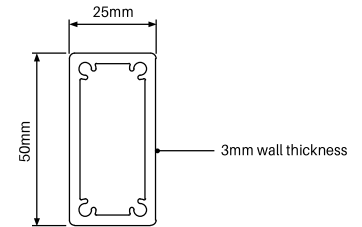
Post

1800mm long

Satin black or pearl white finish

Order Code: **BR-1800-B/W**

- 50x25x3mm post at 1800mm long
- Superior rigidity with 3mm wall thickness
- Includes top cap pre-inserted
- Includes 100mm long x 25mm wide anchor at bottom of post for aiding sturdy embedment into concrete
- Aluminium alloy 6063-T6
- 50x25mm post profile matches pickets to give a continuous 'batten' look.
- Traditionally posts are 50x50mm which breaks up the symmetrical batten look.



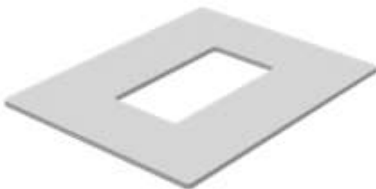
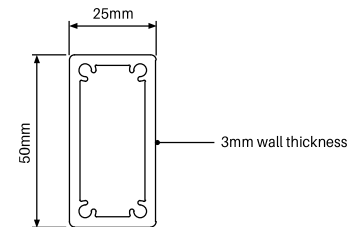
Post

2500mm long

Satin black or pearl white finish

Order Code: **BR-2500-B/W**

- 50x25x3mm post at 2500mm long
- Superior rigidity with 3mm wall thickness
- Includes top cap pre-inserted
- Includes 100mm long x 25mm wide anchor at bottom of post for aiding sturdy embedment into concrete
- Aluminium alloy 6063-T6
- 50x25mm post profile matches pickets to give a continuous 'batten' look.
- Traditionally posts are 50x50mm which breaks up the symmetrical batten look.

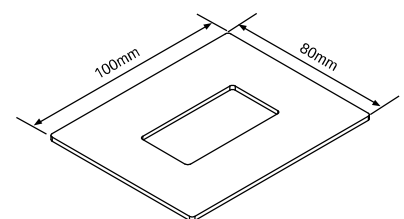


Dress ring

Satin black or pearl white finish

Order Code: **BR-DR-B/W**

- 100 x 80mm dress ring
- Suits covering a core hole up to 80mm diameter
- For BARR posts, suggested to use 63mm or 76mm core drill size



BARR FENCING ACCESSORIES



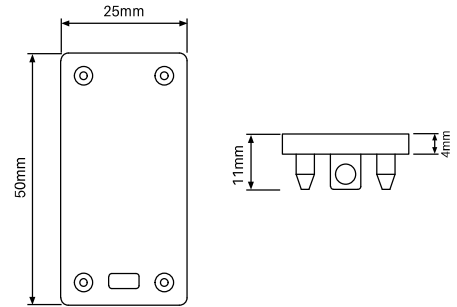
BARR Top Cap

50 x 25 x 4MM

Satin black or pearl white finish

Order Code: BR-TCA-B/W

- Optional extra 4mm thick aluminium powder coated top cap
- Presses into screw flutes in 50x25mm pickets and/or posts
- Panels and posts come with nylon caps preinserted. Option to remove and replace with aluminium caps
- Made from solid aluminium and CNC machined (not die cast aluminium)



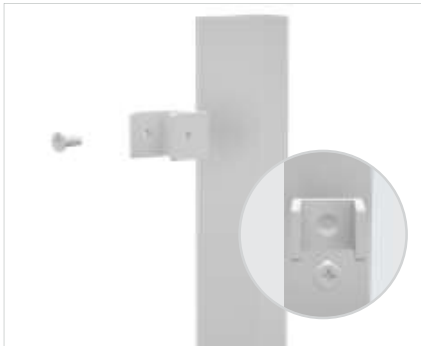
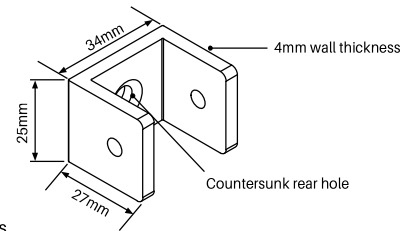
BARR 'C' Bracket Kit

4 PACK

Satin black or pearl white finish

Order Code: BR-BR25-B/W-4PK

- Slimline "C" bracket for neat fixing of panels to posts/wall
- Made from extruded aluminium
- A stylish solution versus traditional full shrouds
- Sold as a pack of 4 x "C" brackets with matching screws
- Screws supplied for each bracket include 1 x countersunk SS304 screw for fixing to aluminium posts & 2 x panhead SS304 square drive screws for fixing the panels to the rails



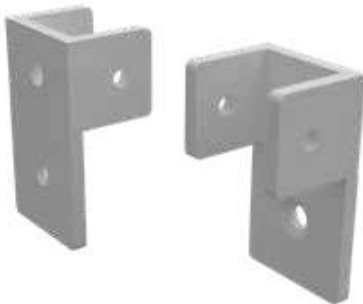
1 Fix C bracket to post/wall using countersunk fixing. Fixing is hidden and is flush with back of bracket.



2 Insert panel into C bracket opening and pilot hole drill horizontal rails on both sides.



3 Fix off both sides with panhead screws. Screw heads are colour matched.



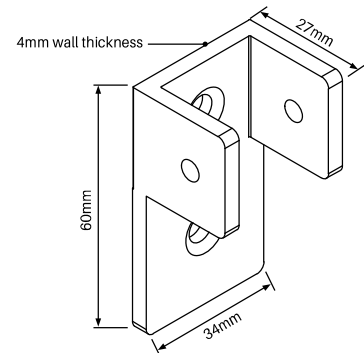
BARR Extended 'C' Bracket Kit

4 PACK

Satin black or pearl white finish

Order Code: BR-BR60-B/W-4PK

- EXTENDED "C" bracket for neat fixing of panels to posts/wall
- Made from extruded aluminium
- Sold as a pack of 4 x EXTENDED "C" brackets with matching screws
- Features a longer back leg allowing 2 x fixings to post/wall for extra strength if needed
- Screws supplied for each bracket include 2 x countersunk SS304 screw for fixing to aluminium posts & 2 x panhead SS304 square drive screws for fixing the panels with the rails



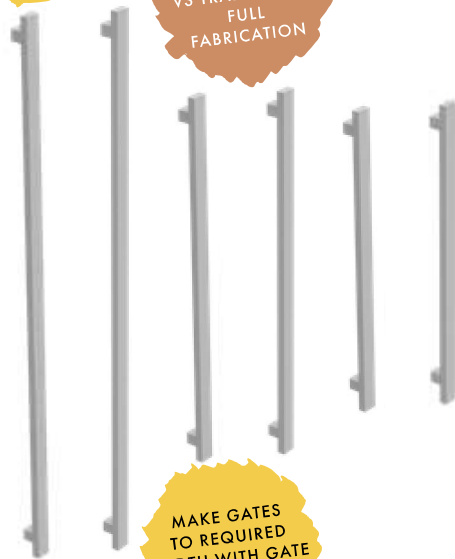


BARR FENCING GATE CONVERTERS

GATE CONVERTERS AVAILABLE JAN 2023

HUGE SAVINGS VS TRADITIONAL FULL FABRICATION

MAKE GATES TO REQUIRED WIDTH WITH GATE CONVERTERS



BARR gate converter

1000/1200/1800mm high

Satin black or pearl white finish

Order Code: BR-1000-GC-2PK-B

BR-1000-GC-2PK-W

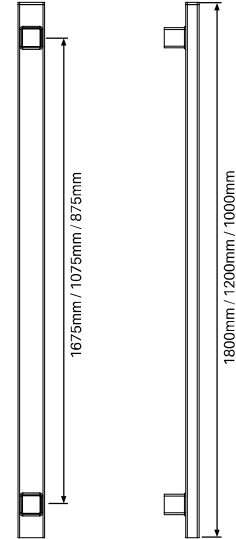
BR-1200-GC-2PK-B

BR-1200-GC-2PK-W

BR-1800-GC-2PK-B

BR-1800-GC-2PK-W

- Easily convert standard BARR panels into pedestrian gates
- Available to suit 1000, 1200 & 1800mm high panels
- Simply adjust panel to required width, place converters both sides and fix off
- Bolt/nuts are included and are colour matched
- Gate converter stiles are 50x25mm profile to match standard pickets
- Top caps included
- Sold as a pair (for left & right side of gate)



1 Cut panel to required width. *NOTE: ensure minimum of 42mm of horizontal rail remains both sides past pickets for attaching of converters*



2 Insert panel ends into converter and drill through guide holes.



3 Fix off converters both sides with nut/bolts provided.



4 Completed gate.

Driver bit

Order Code: DB-PH3

- Driver bit to suit Phillips #3 screw head



Square head driver bit

Order Code: DB-SQ3.4

- Driver bit to suit 3.4mm square screw head hole
- Suits panhead screws used with "C" brackets



Touch Up Paint

150g SPRAY CAN

Black or white finish

Order Code: PAINT-B (Black)
PAINT-W (White)

- Colour match touch up paint





ORDER CODES

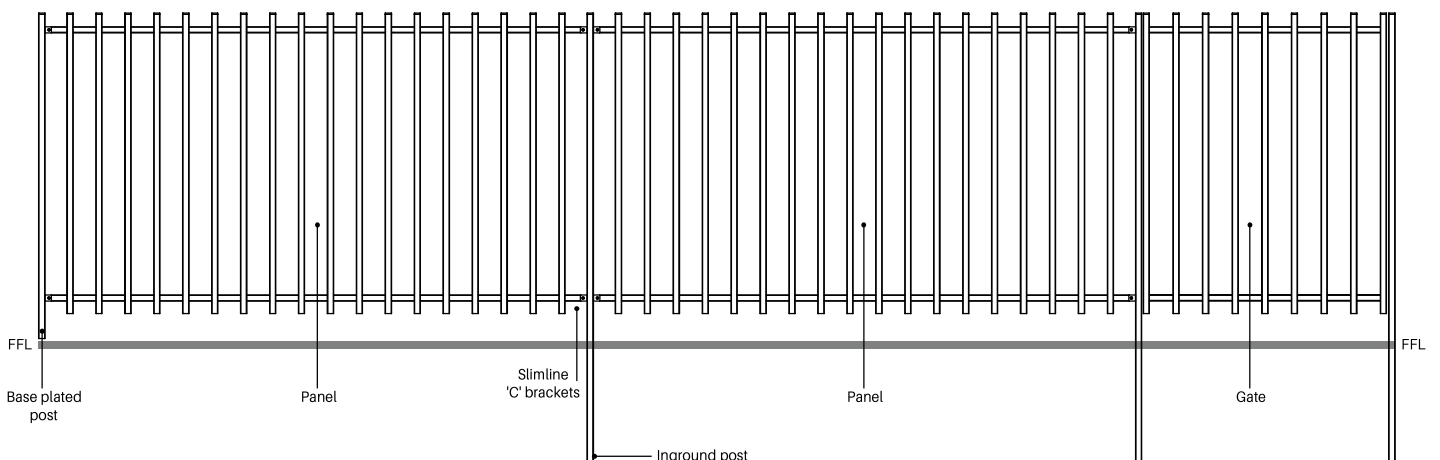
Order Code	Description	Colours
BR-PANEL-1733-1000-B/W	BARR 50 x 25 Panel – 1000mm H x 1733mm W	
BR-PANEL-2205-1200-B/W	BARR 50 x 25 Panel – 1200mm H x 2205mm W	
BR-PANEL-1969-1800-B/W	BARR 50 x 25 Panel – 1800mm H x 1969mm W	
BR-GATE-0975-1200-B/W	BARR 50 x 25 Gate – 1200mm H x 975mm W	
BR-GATE-0975-1800-B/W	BARR 50 x 25 Gate – 1800mm H x 975mm W	
BR-1280-BP-B/W	Post with welded base plate – 1280mm long	
BR-1800-B/W	Post – 1800mm long	
BR-2500-B/W	Post – 2500mm long	
BR-DR-B/W	Dress ring	
BR-TCA-B/W	BARR Aluminium Top Cap	
BR-BR25-B/W-4PK	BARR 'C' Bracket Kit	
BR-BR60-B/W-4PK	BARR Extended 'C' Bracket Kit	
BR-1000-GC-2PK-B/W	BARR Gate Converter – 1000mm high	
BR-1200-GC-2PK-B/W	BARR Gate Converter – 1200mm high	
BR-1800-GC-2PK-B/W	BARR Gate Converter – 1800mm high	



For fencing accessories/hinges/latches refer pages 56-79

ASSEMBLY OVERVIEW OF BARR SYSTEM

SEAMLESS INTEGRATION OF PANELS & POSTS WITH MATCHING 50x25MM PROFILES



Images & drawings are not to scale