

**ZEUS
SECURITY**

(07) 5493 9779

WWW.BLITZGLASS.COM.AU

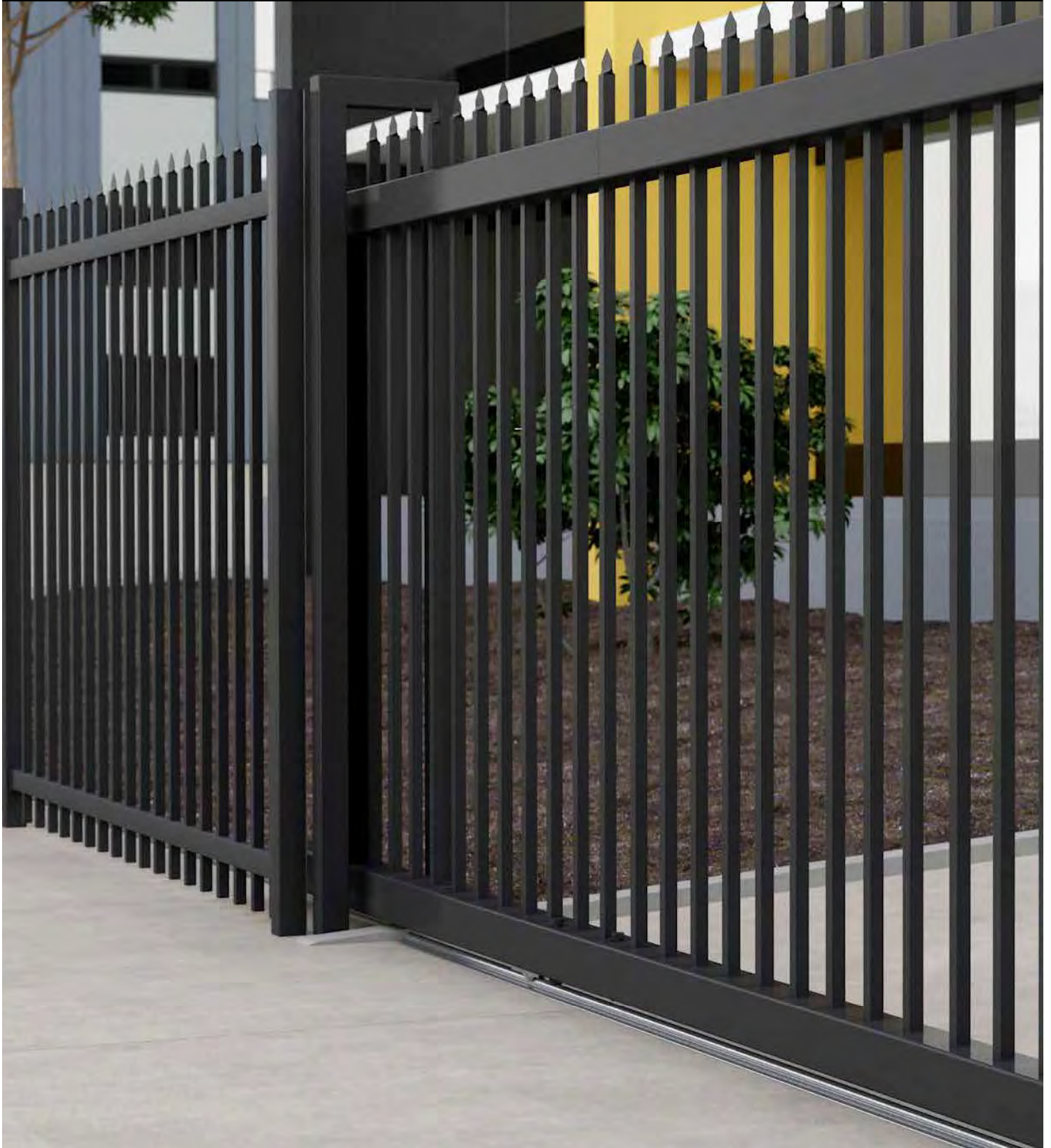


ZEUS

SECURITY FENCING

A full range of press top powder coated security fencing

Zeus Security Fencing is our heavy duty powder coated fencing range which is perfect for commercial security fencing, residential boundary fencing or school security fencing. Available in galvanised steel or aluminium.



ZEUS STEEL PANELS & GATES



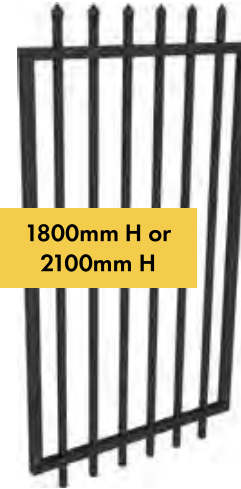
1800mm H or
2100mm H

Zeus steel panel

1800MM OR 2100MM H x 2400MM W

Order Code: ZF-SP-2400-1800/2100

- Black powder coated galvanised steel
- Pressed spear top
- 6 weld points - Superior silicone bronze welds
- Pickets: 25mm x 25mm - 1.2mm wall thickness
- Rails: 40mm x 40mm - 1.8mm wall thickness
- Spacings: 140mm centre to centre of picket



1800mm H or
2100mm H

Zeus steel gate

1800MM OR 2100MM H x 975MM W

Order Code: ZF-PG-0975-1800/2100

- Black powder coated galvanised steel
- Pressed spear top
- 6 weld points - Superior silicone bronze welds
- Pickets: 25mm x 25mm - 1.2mm wall thickness
- Rails (Top/bottom & vertical stiles): 40mm x 40mm - 1.8mm wall thickness
- Mitred top corners
- Spacings: 140mm centre to centre of picket

Powder coat colours —
Genuine AKZO Nobel powder coat



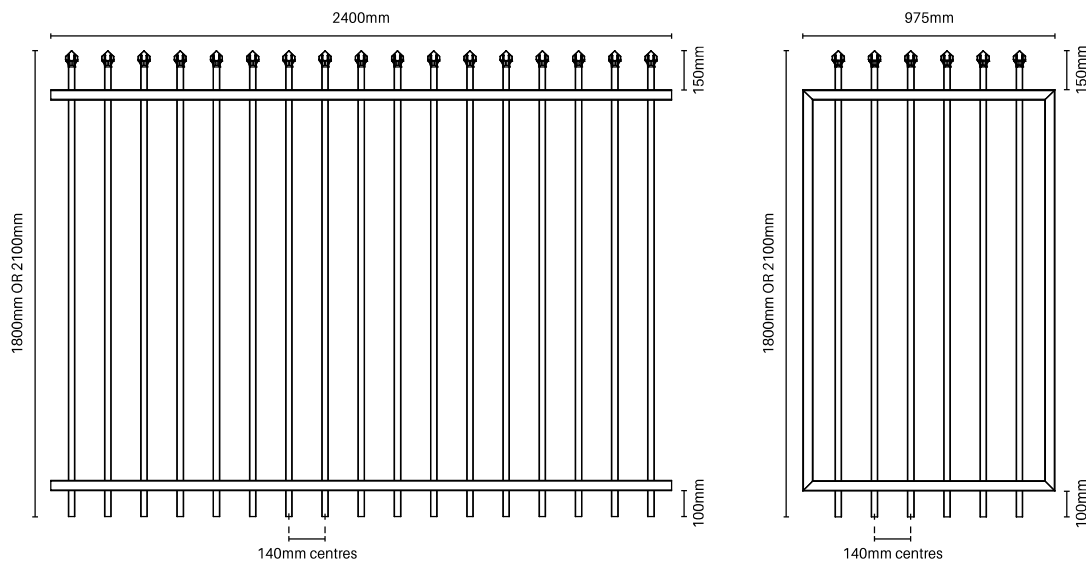
40x40mm punched rails allow
pickets to pass through to
provide a neat finish

Pressed
spear top
pickets



Not pool fencing compliant

TECHNICAL INFO



ZEUS STEEL GATES & POSTS



1800mm H or
2100mm H

Zeus steel 2450mm gate

1800MM OR 2100MM H X 2450MM W

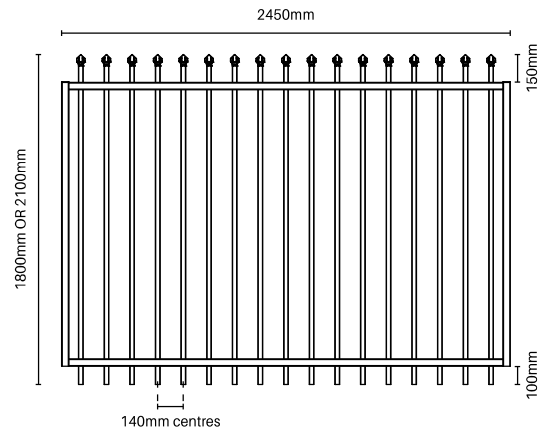
Order Code: ZF-G-2450-1800/2100

- Black powder coated galvanised steel
- Pressed spear top
- 6 point welds - Superior silicone bronze welds
- Pickets: 25mm x 25mm - 1.2mm wall thickness
- Rails (Top/bottom & vertical stiles): 40mm x 40mm - 1.8mm wall thickness
- Spacings: 140mm centre to centre of picket

Powder coat colours —
Genuine Interpon powder coat

BLACK
GN150A

TECHNICAL INFO



Gudgeon hinge pair BLACK FINISH

Order Code: ZF-GH-B

- Black powder coated finish
- Adjustable bolt
- Install by inserting into 40x40mm top/bottom gate side stiles

Alternative: use standard side fixed hinges

Not pool fencing compliant

ZEUS STEEL PICKETS



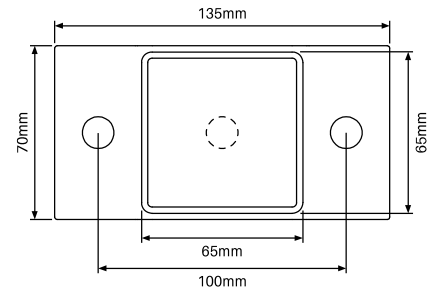
65x65mm steel post

2400MM OR 2700MM H

Black finish

Order Code: ZF-2400/2700-B

- Black powder coated galvanised steel
- 65mm x 65mm
- Available in 2400mm and 2700mm high
- 2.5mm wall thickness
- Includes welded on 8mm thick base plate with 2x Ø13mm fixing holes – use for base plated post fixing or bury into concrete for a superior anchor point
- FREE top cap included



Top cap

BLACK NYLON FINISH

Order Code: ZF-65TC

- Suits 65x65mm post
- Only purchase if extra top caps are required – posts come with 1x free top cap installed

75x75mm & 100x100mm steel posts also available. Refer page 95



Zeus steel pickets – 4 pack

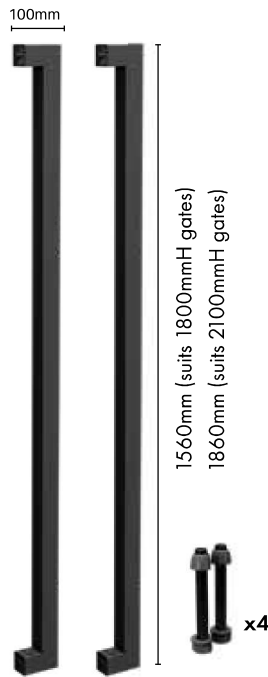
2100MM LONG

Order Code: ZF-PICKET-4PK

- 4 pack of pickets: 25x25mm – 1.2mm wall thickness
- 2100mm long galvanised steel pickets with pressed top
- Not powder coated so can be welded
- 100 grams/sqm galvanised
- Use galvanised pickets to weld/fabricate sliding gates, pedestrian gates or custom panels. Pressed top pickets match pre-made panels and gates
- Suits 2100mm or 1800mm high panels – simply cut picket to required height

ZEUS STEEL GATE CONVERTERS

**HUGE SAVINGS
VERSUS TRADITIONAL
FABRICATION OF
SECURITY GATE**



Zeus steel gate converters

Black powder coated galvanised steel

Order Code: ZF-1800-GC-2PK (for 1800mm H steel panels)

ZF-2100-GC-2PK (for 2100mm H steel panels)

- Easily convert standard Zeus panels into a hinged gate
- Suits 1800mm and 2100mm high panels with 40x40mm horizontal rails (excludes DETE specification panels)
- Simply adjust panel width, place converters on both sides and fix off with bolts provided
- Made from 50x50mm heavy duty galvanised steel box section - panel rails sleeve into converters
- Design innovations:
 - Polymer insert in separates panel from converter to avoid metal on metal rubbing
 - Added security feature - shear nuts. Once bolted tightened nut. Nut head snaps off leaving a difficult to untighten cone shaped head only
- Sold as a pair (for left & right side of gate); black only
- Includes 8x bolts with shear nuts & spring washers (bolts & nut black)

Also available in Aluminium*

1800mm H: ZAF-1800-GC-2PK

2100mm H: ZAF-2100-GC-2PK

*Brisbane, Gold Coast & Newcastle depots only

SIMPLE HOW TO

- 1 Adjust panel width, drill bolt holes in panel & place converters on both ends.



* Allow minimum 40mm gap from edge of picket when adjusting width

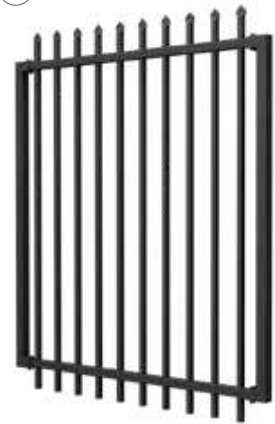
- 2 Fix off with black bolts, nuts & washers provided.



- 3 Nut head snaps off leaving a difficult to untighten cone shaped head only.



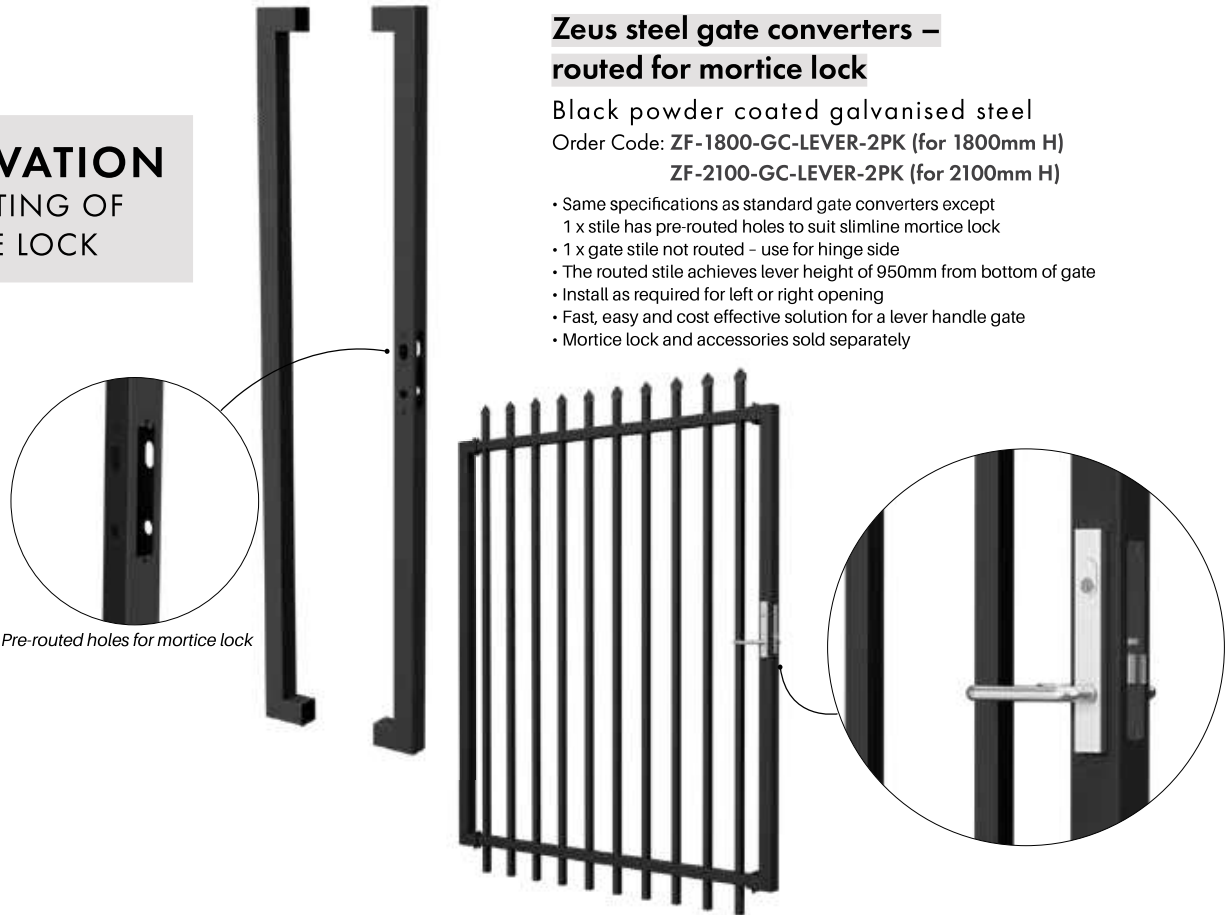
- 4 Complete gate panel.



ZEUS STEEL GATE CONVERTERS

FOR MORTICE LOCK

INNOVATION
EASY FITTING OF
MORTICE LOCK



Pre-routed holes for mortice lock

Zeus steel gate converters – routed for mortice lock

Black powder coated galvanised steel

Order Code: ZF-1800-GC-LEVER-2PK (for 1800mm H)

ZF-2100-GC-LEVER-2PK (for 2100mm H)

- Same specifications as standard gate converters except
- 1 x stile has pre-routed holes to suit slimline mortice lock
- 1 x gate stile not routed – use for hinge side
- The routed stile achieves lever height of 950mm from bottom of gate
- Install as required for left or right opening
- Fast, easy and cost effective solution for a lever handle gate
- Mortice lock and accessories sold separately

Mortice Lock Kit

Order Code: XT-MORT-LOCK

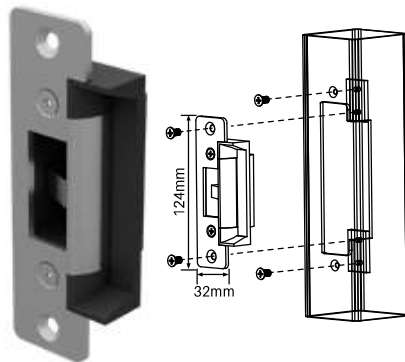
- Slimline mortice lock kit includes 2 x lever handles, face plate, lock mechanism, striker and 2 keys
- Handles made from durable solid brass nickel plated
- Lock suits 50x50mm vertical gate stile (ie matches Zeus gate converter routed hole)
- Keyed both sides and lock / unlock both sides
- 6 pin restricted compatible lock
- Allow up to 8mm gap between edge of gate stile and latch post



Electric Striker

Order Code: XT-MORT-ES

- Optional electric striker kit
- Power required to lock/unlock
- Voltage/current: dual voltage 12VDC/200mA 24VDC/100mA
- Stainless steel face plate
- Post must be routed for electric striker mounting – template included in kit



*Routing template included in box

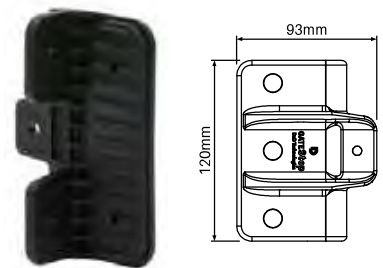
D&D Gate stop

Black polymer finish

Order Code: SS-GS

D&D code: TCG53

- Ideal gate alignment device
- Tough, durable polymer + rubber bumper
- Simple gate stop solution
- Alternatively, a vertical black aluminium extrusion may be used as a gate stop – ensure routed around striker to not interfere. (Not supplied by GO)



ZEUS ALUMINIUM PANELS & GATES



1800mm H or
2100mm H



Aluminium Zeus range is stocked at our Brisbane, Gold Coast, Newcastle & Perth depots only



Aluminium Zeus is recommended for high corrosive environments such as coastal areas



1800mm H or
2100mm H

Zeus aluminium panel

1800MM OR 2100MM H x 2400MM W

Order Code: ZAF-SP-2400-1800/2100

- Black powder coated aluminium
- Pressed spear top
- 6 point welds
- Pickets: 25mm x 25mm - 1.6mm wall thickness
- Rails: 40mm x 40mm - 2mm wall thickness
- Spacings: 140mm centre to centre of picket

Zeus aluminium gate

1800MM OR 2100MM H x 975MM W

Order Code: ZAF-PG-0975-1800/2100

- Black powder coated aluminium
- Pressed spear top
- 6 point welds
- Pickets: 25mm x 25mm - 1.6mm wall thickness
- Rails (Top/bottom & vertical stiles): 40mm x 40mm - 2mm wall thickness
- Mitred top corners
- Spacings: 140mm centre to centre of picket

Powder coat colours —
Genuine Interpon powder coat



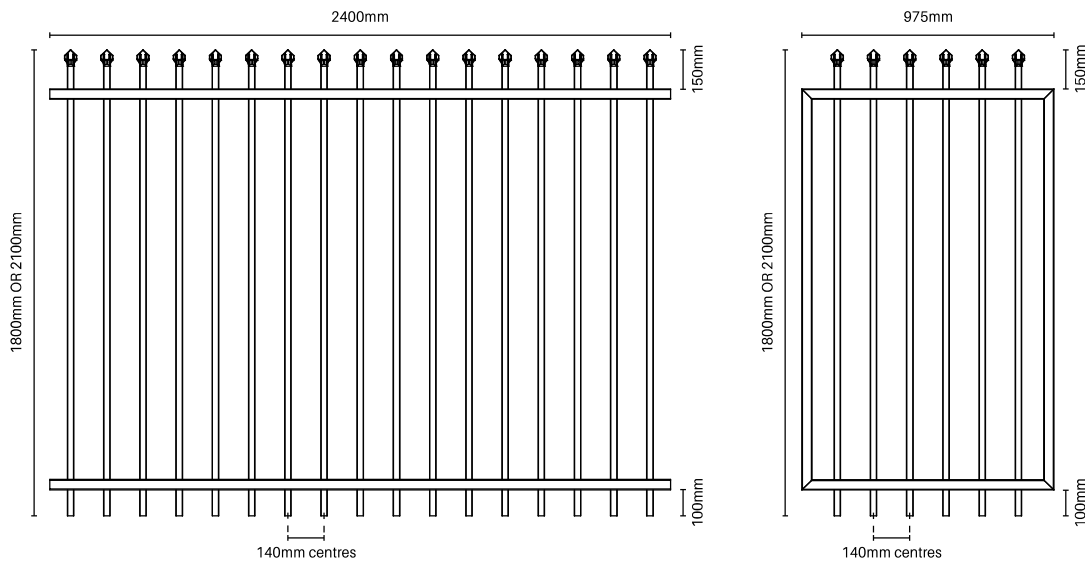
40x40mm punched rails allow pickets to pass through to provide a neat finish

Pressed spear top pickets



Not pool fencing compliant

TECHNICAL INFO



ZEUS ALUMINIUM PICKETS & POSTS



Zeus aluminium pickets – 4 pack

2100MM LONG – MILL FINISH

Order Code: **ZAF-PICKET-4PK**

- 4 pack of pickets: 25x25mm – 1.6mm wall thickness
- 2100mm long aluminum pickets with pressed top
- Alloy 6063 T5 – Mill finish
- Use aluminium pickets to weld/fabricate sliding gates, pedestrian gates or custom panels. Pressed top pickets match pre-made panels and gates
- Suits 2100mm or 1800mm high panels – simply cut picket to required height



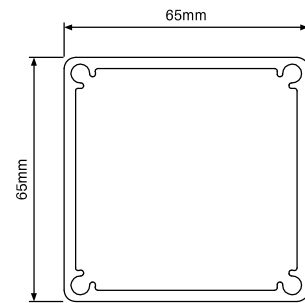
65x65mm aluminium post

2400MM OR 6000MM H

Black finish

Order Code: **XP-2400/6000-65HD-B**

- Powder coated black aluminium
- 65x65mm larger profile, heavy duty post
- Alloy 6063 – T6
- 3mm wall thickness
- Screw flutes to screw on base plate if required
- 2400mm post comes with free press-in top cap



65x65mm post base plate set

POWDER COATED ALUMINIUM
Black

Order Code: **XP-65BP-SET-B**

See page 55 for full specifications



Aluminium dress ring

POWDER COATED BLACK
ALUMINIUM

Order Code: **XP-65DR-B**

- Suits 65x65mm post
- 115mm x 115mm outer
67mm x 67mm inner



Aluminium top cap

POWDER COATED BLACK
ALUMINIUM

Order Code: **XP-65TP-B**

- Suits 65x65mm post
- Optional extra cap only – 2400mm post comes with cap supplied. For 6000mm post, cap must be purchased separately



Zeus aluminium gate converters

Black powder coated aluminium

Order Code: **ZAF-1800-GC-2PK (for 1800mm H aluminium panels)**

ZAF-2100-GC-2PK (for 2100mm H aluminium panels)

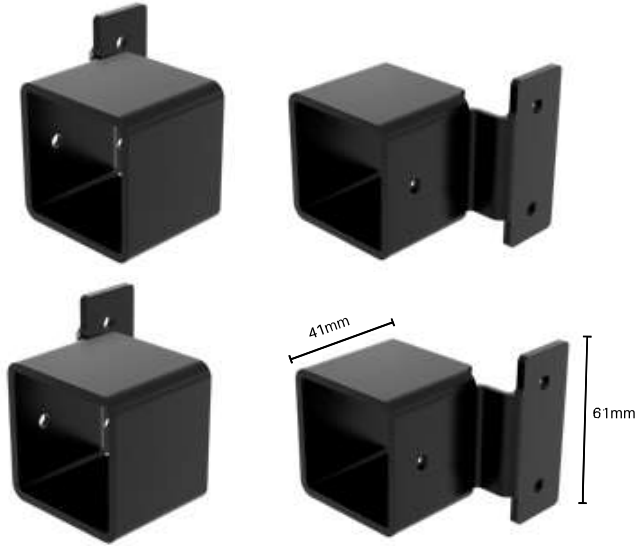
- Easily convert standard Zeus panels into a hinged gate
- Suits 1800mm and 2100mm high panels with 40x40mm horizontal rails
- Simply adjust panel width, place converters on both sides and fix off with bolts provided
- Refer page 88 for assembly guide



SIMPLY
FIT GATE
CONVERTERS
BOTH SIDES
OF PANEL

ZEUS ACCESSORIES

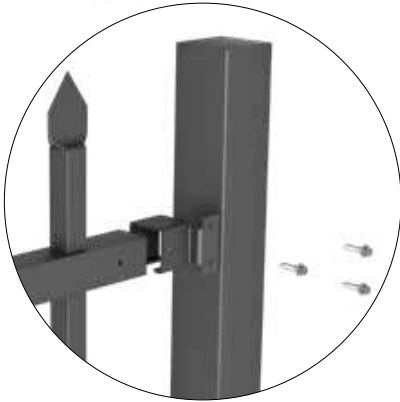
BRACKET OPTION 1



Zeus panel security brackets

Order Code: ZF-BSEC-4PK

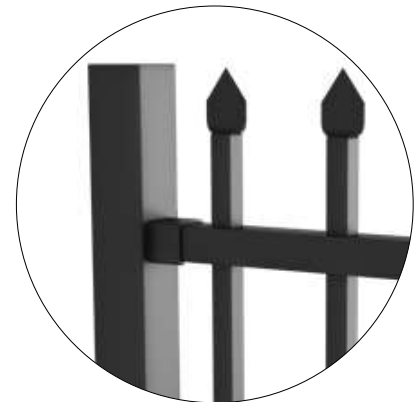
- Suits 40 x 40mm rail
- 4 pack
- Hot dip galvanised steel powder coated black
- Includes 14 x tek screws
- No visible fixing from outside of property - visually appealing & better security
- Easy & flexible install - panel rail can move internal of bracket for optimal positioning prior to fixing off



Affix the bracket with tek screws onto the Zeus post

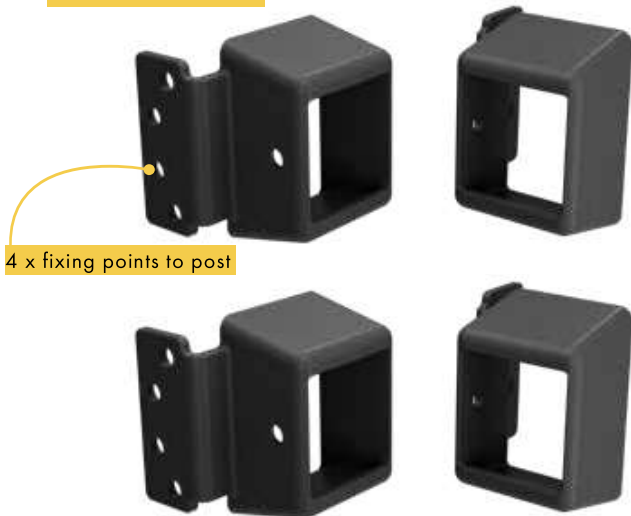


Fixings on inside of fence



No visible fixings from the outside

BRACKET OPTION 2



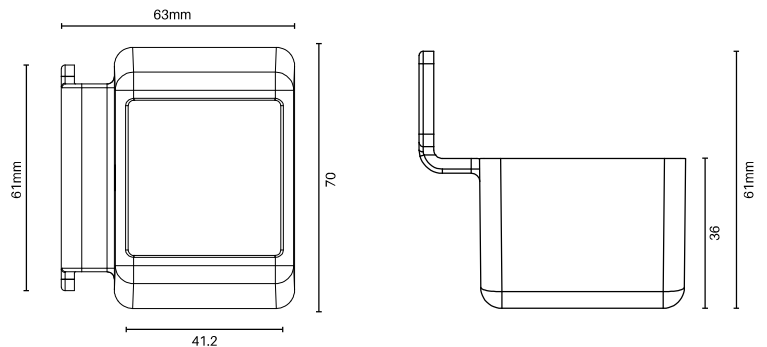
Zeus security brackets – DETE spec

PACK OF 4

Black finish

Order Code: ZF-BSEC-DELUXE-4PK

- Suits 40x40mm rails
- Made from galvanised steel powder coated black
- Designed for 75x75mm posts but also can be installed with 65x65 & 100x100mm posts
- 4 x fixing holes to post
- Fixings are on inside of fence
- Sold as a 4 pack (fixing screws sold separately)



ZEUS ACCESSORIES

BRACKET OPTION 3



Zeus panel brackets

Order Code: ZF-BH4

- 40mm x 40mm aluminium panel brackets
- Pack of 4 brackets
- 10x tek screws included in pack
- Satin black finish



Zeus 400mm drop bolt

Order Code: ZF-DB400-B

- 400mm long
- Black finish



Drop bolt

Black or zinc plated finish

Order Code: SS-0300DB-B/ZP

- Ideal for driveway gates
- Cost effective drop bolt
- Easy to install
- 300mm long

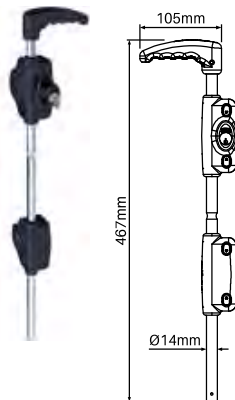
D&D Premium lockable drop bolt

Black finish

Order Code: LB-PL

D&D code: LL118BX-LA

- 316 marine-grade stainless steel drop-rod
- Tough polymer-housing mounting system
- 6-pin lock (rekeyable to match doors & gate locks)



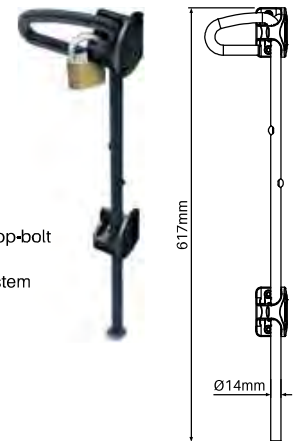
D&D Padlockable drop bolt

Black finish

Order Code: QB124

D&D code: QB124

- Powder coated black, stainless steel drop-bolt
- Padlockable (*Padlock not included)
- Tough, moulded polymer mounting system



Anti tamper screws

25 PACK

Order Code: ZF-SECURESCREW-25PK

- 12G x25mm long button head anti-tamper screw.
- 10mm diameter button head
- Black powder coated
- Respected "Pentaforce" brand
- Requires special drive bit for fixing: refer code ZF-PENTAFORCE-BIT
- Optional extra anti tamper screws can be used for affixing panel brackets to posts



Drivebit for anti tamper screws

Order Code: ZF-PENTAFORCE-BIT

- Required for fitting of Pentaforce anti-tamper screws
- Sold as single drive bit



ZEUS DE TE SECURITY FENCING

(QLD ONLY)



Zeus DE TE steel panel

2100MM H x 2400MM W

Order Code: ZF-SP-2400-2100-DE TE

- Complies with Specifications for Security Fencing in State Schools (Department of Education QLD)**
- Pickets: 25x25x1.6mm punched through rails with silicon bronze welds to rails
- Rails: 40x40x2mm with picket centres of 125mm
- Grade of steel: C250 chemical composition
- Coating: whip blasted followed by epoxy primer and polyester powder coat black
- Spacings: 125mm centre to centre of picket

Powder coat colours —

Genuine AKZO Nobel powder coat

BLACK
GN150A

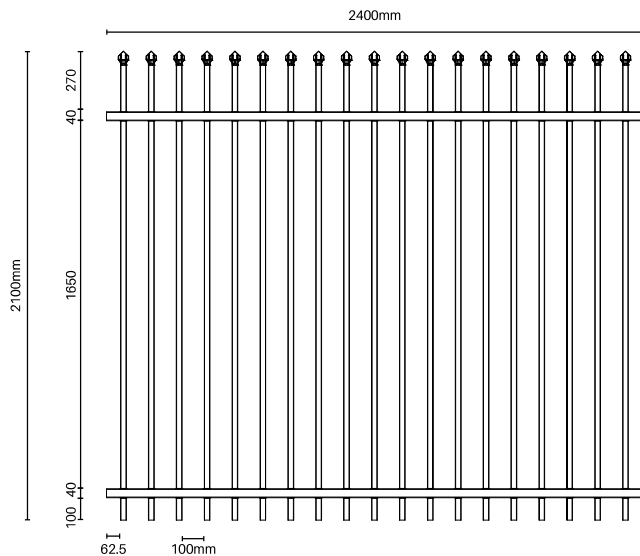
** Specification current as of October 2020

** DE TE Spec panels stocked at GO Brisbane (Virginia) depot only

Pressed
spear top
pickets



TECHNICAL INFO



Whip blasted
+ epoxy primer
+ powder coated



4 x fixing points to post

Zeus security brackets – DE TE spec

PACK OF 4

Black finish

Order Code: ZF-BSEC-DELUXE-4PK

- Suits 40x40mm rails
- Made from galvanised steel powder coated black
- Designed for 75x75mm posts but also can be installed with 65x65 & 100x100mm posts
- 4 x fixing holes to post
- Fixings are on inside of fence
- Sold as a 4 pack (fixing screws sold separately)

ZEUS DETE SECURITY FENCING

(QLD ONLY)

75x75mm steel post

3000MM H

Black finish

Order Code: ZF-3000-7575-B-DETE

- 75x75mm post 3000mm high for DETE specification
- 3mm wall thickness
- Grade of steel: C350 chemical composition
- Coating: whip blast followed by epoxy primer and polyester powder coat black
- Features welded top flat cap
- Includes 80x145mm welded on bottom of post for superior anchoring

75 x75mm post



100x100mm steel post

3000MM H

Black finish

Order Code: ZF-3000-SQ100-B-DETE

- 100x100mm post 3000mm high for DETE specification
- 4mm wall thickness
- Commonly used for gate posts & corner posts
- Grade of steel: C350 chemical composition
- Coating: whip blast followed by epoxy primer and polyester powder coat black
- Features welded top flat cap
- Includes 105x170mm welded on bottom of post for superior anchoring

100 x100mm post



25 PACK

Anti tamper screws

25 PACK

Order Code: ZF-SECURESCREW-25PK

- 12G x25mm long button head anti-tamper screw.
- 10mm diameter button head
- Black powder coated
- Respected "Pentaforce" brand
- Requires special drive bit for fixing; refer code ZF-PENTAFORCE-BIT
- Optional extra anti tamper screws can be used for affixing panel brackets to posts



Drivebit for anti tamper screws

Order Code: ZF-PENTAFORCE-BIT

- Required for fitting of Pentaforce anti-tamper screws
- Sold as single drive bit

ZEUS ACCESSORIES

12-35mm
gap spacing



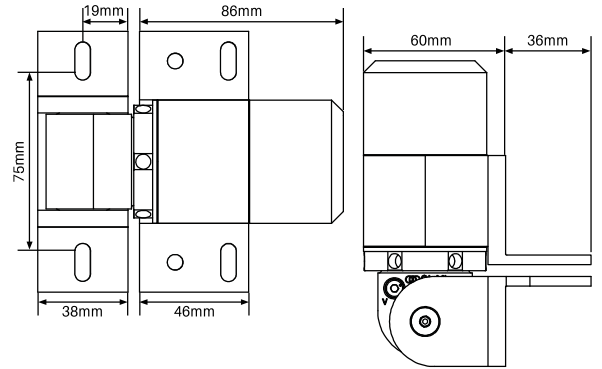
FIXING SCREWS SUPPLIED
MIN POST SIZE: 50MM

Sureclose – Readyfit hinge

HYDRAULIC HINGE CLOSER
2 ALIGNMENT LEGS

Order Code: **SURECLOSE-HH**
D&D Order Code: **74108313**

- Ideal for commercial/industrial applications
- Easy install - screw on externally mounted
- Self close gates up to 120kg
- Heavy duty, 50 micron black anodised aluminium
- Sold as SINGLE hinge
- **SELF CLOSING FROM 83 degrees**
- **HOLDS OPEN AT 90 deg to 180 deg**
- **MAX GATE OPENING 178 deg**



TRADE TIP: Commonly a hydraulic closer hinge is installed on the bottom of the gate (SURECLOSE-HH) with the non self closing hinge at top of gate (SURECLOSE-NSC). For very heavy gates, 2 x closer hinges may be considered.

12-35mm
gap spacing



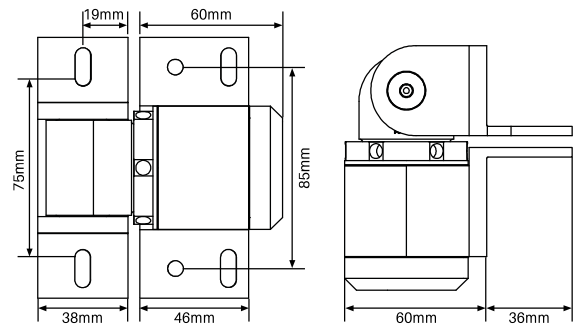
FIXING SCREWS SUPPLIED
MIN POST SIZE: 50MM

Sureclose – Readyfit hinge

NON SELF CLOSING CLOSER
2 ALIGNMENT LEGS

Order Code: **SURECLOSE-NSC**
D&D Order Code: **74001313**

- Ideal for commercial/industrial applications
- Easy install - screw on externally mounted
- NON SELF CLOSING hinge
- Heavy duty, 50 micron black anodised aluminium
- Sold as SINGLE hinge
- **LOAD BEARING** non self closing hinge
- **MAX GATE OPENING 178 deg**



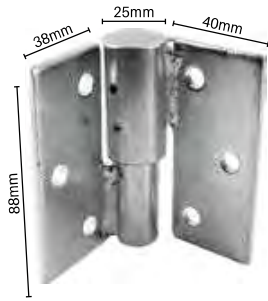
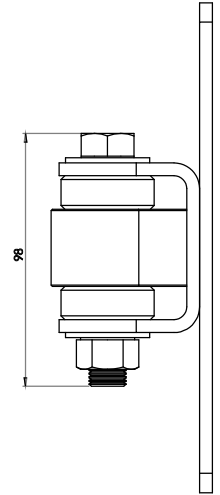
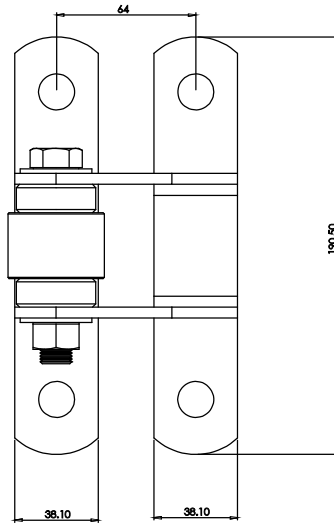
ZEUS ACCESSORIES



Shut It™ heavy duty hinge

Order Code: ZF-CI3720B

- Heavy duty surface mount bolt on hinge
- Commonly used for school fencing gates
- Genuine D&D Technologies product
- Non self-closing; opens 180 degrees
- Steel zinc plated powder coated black
- Unique brushing design produces near frictionless movement with maintenance free usage
- Achieve gate gap as small as 14mm
- Features slotted holes allowing up to 13mm horizontal adjustment
- Sold as a single hinge (2x hinges required per gate)
- Rated to 250kg max per hinge



Zeus hinges

Order Code: ZF-BBH-L/R (Left/Right)

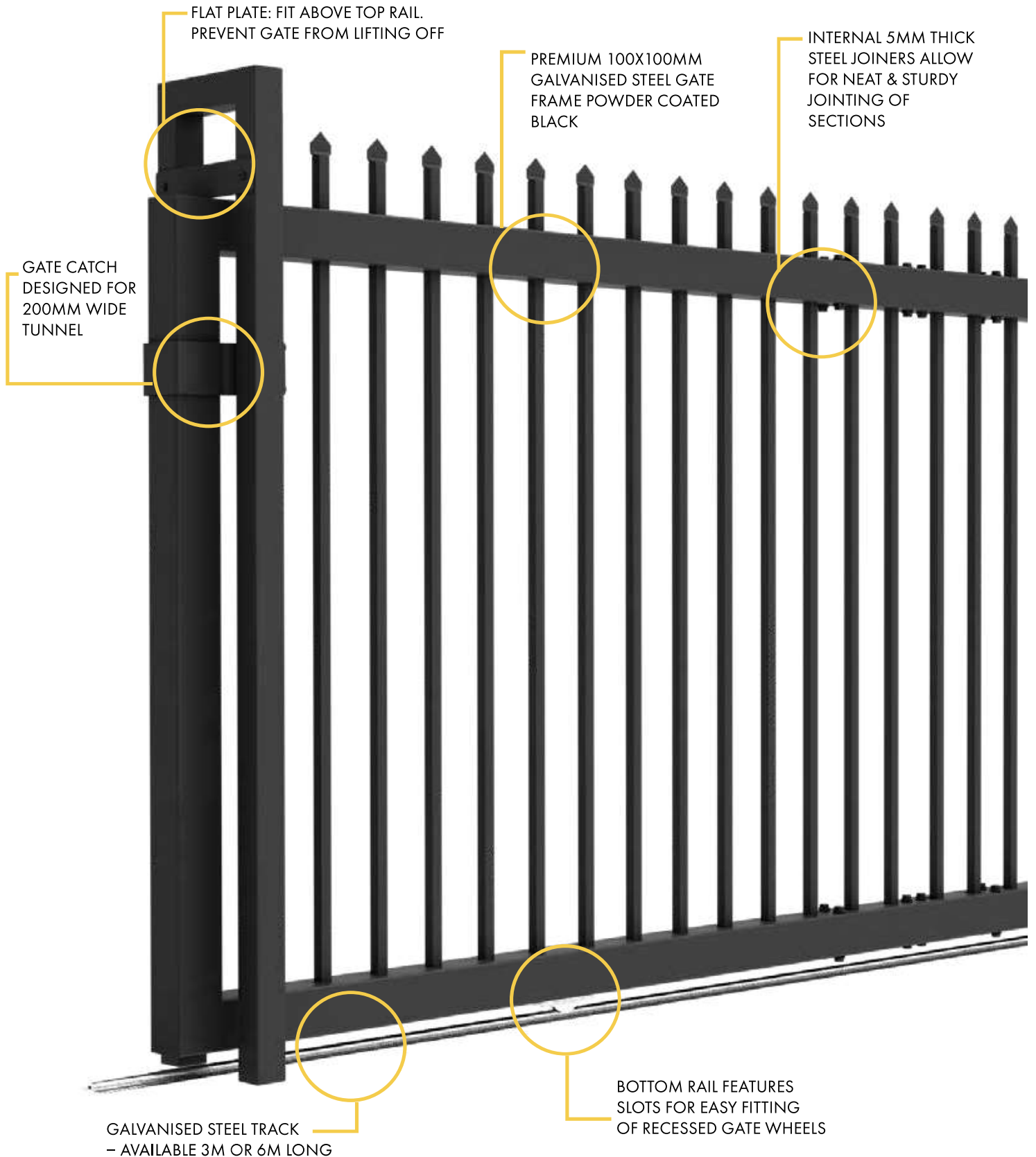
- Bolt on ball bearing hinge pair
- Left and right hinges available
- Galvanised steel construction
- Sturdy, long lasting hinges

Consider also our range of D&D heavy duty spring hinges



ZEUS SECURITY

SLIDING GATE COMPLETE SYSTEM



HUGE SAVINGS ON SECURITY SLIDING GATES

MODULAR SYSTEM — ADD PANELS TO EXTEND WIDTH MODULES

BUILD ONSITE OR IN WORKSHOP

INNOVATIVE EASY + FAST ASSEMBLY — PATENT PENDING

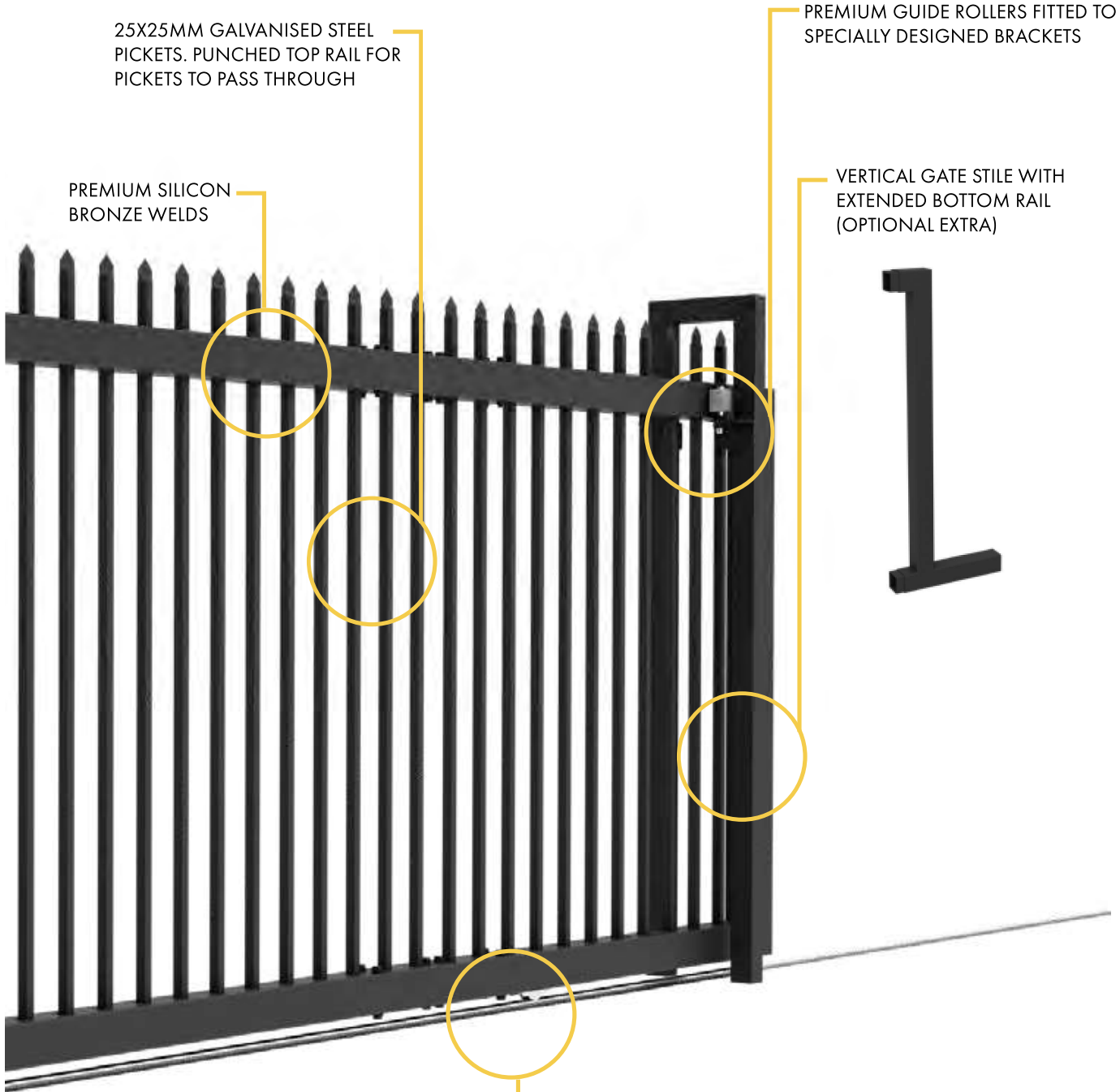
25X25MM GALVANISED STEEL PICKETS. PUNCHED TOP RAIL FOR PICKETS TO PASS THROUGH

PREMIUM SILICON BRONZE WELDS

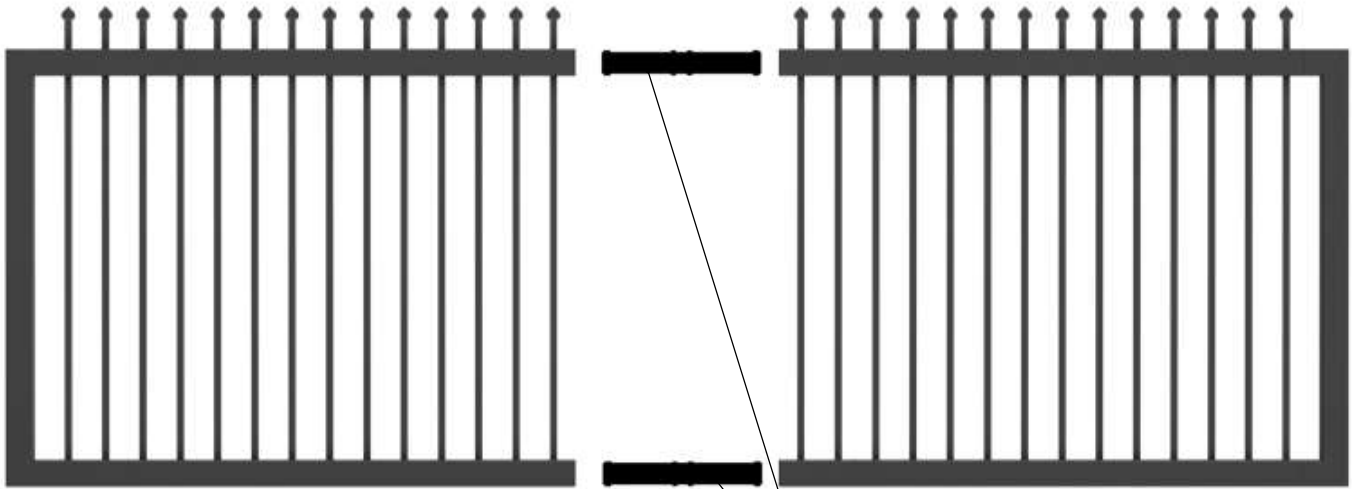
PREMIUM GUIDE ROLLERS FITTED TO SPECIALLY DESIGNED BRACKETS

VERTICAL GATE STILE WITH EXTENDED BOTTOM RAIL (OPTIONAL EXTRA)

PACKER AVAILABLE FOR GATE HEIGHT ADJUSTMENT



ZEUS STEEL SLIDING GATE KIT



Designed to compliment 1800mm or 2100mm high installed Zeus fence panels

Zeus steel sliding gate kit

1790MM or 2090MM H x 4260mm W

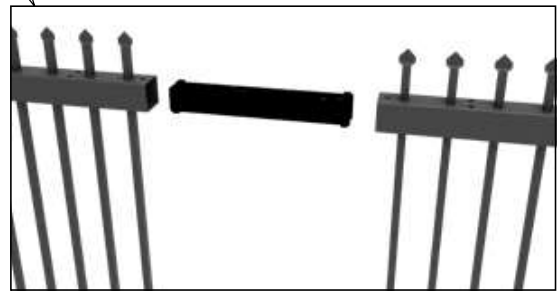
Order Code: ZF-SG-4260-1790 (Approx 159kg nett)

ZF-SG-4260-2090 (Approx 172kg nett)

Kit includes:

- 1 x left side at 2130mm wide
- 1 x right side at 2130mm wide
- 2 x 595mm long heavy duty internal joiners - hot dip galvanised
- 2 x Plastic bottomrail caps - UV stabilised black
- Hardware joiner fixing kit: 25x M12x25mm bolts;
- 25x T3mm flat washers & 25x spring washers
- Drill jig (only required if width adjusting)

PATENTED ASSEMBLY METHOD



Powder coat colours —
Genuine Interpon powder coat

BLACK
GN150A

100x100mm punched rails
allow pickets to pass through
to provide a neat finish

Pressed
spear top
pickets



Kit inclusions:



Left sliding gate panel

Right sliding gate panel

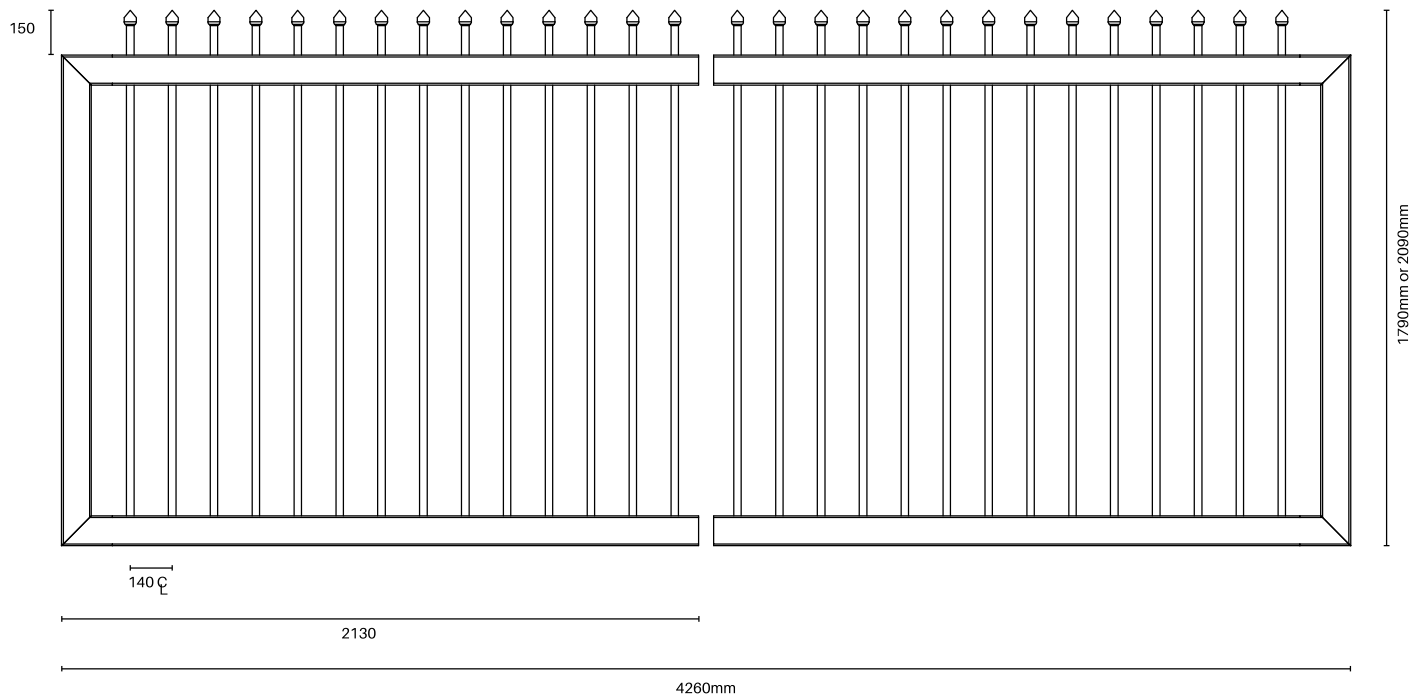
Internal joiner x 2

M12x 25mm bolt x 25

Spring washer x 25

T3mm flat washer x 25

ZEUS STEEL SLIDING GATE – TECH INFO



FEATURES

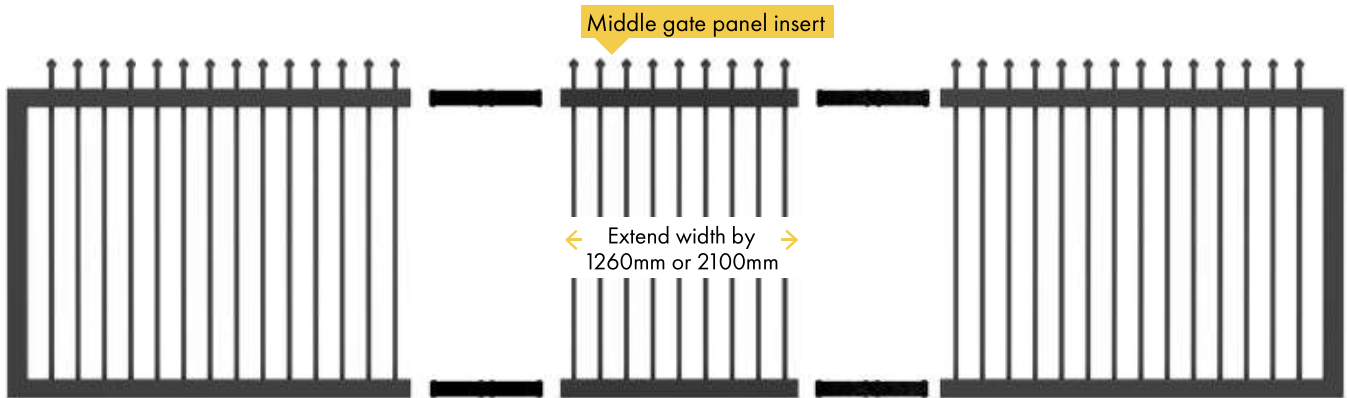
- Genuine trade quality heavy duty sliding gate
- Gate frame made from premium 100x100mm SHS 3mm thick steel
- Pickets 25 x 25 x 1.2m press top – passes through punched top rail
- All welds silicon bronze
- Kit form – left and right sides make up to 4260mm wide gate
- Add middle modular sections to make gates up to 8500mm wide
- Easily width adjustable – 1 x gate end removeable. Simply remove pre-assembled vertical side stile by unbolting, cut width to size and re-install. The removeable vertical side end should always be positioned on motor side
- Middle extension panels – holes pre-drilled for easy assembly with internal slotted joiners
- Internal joiners made from heavy duty 5mm thick steel & hot dip galvanised powder coated black. 12 x bolts per joiner ensures high strength
- Fast and easy assembly onsite or in factory

+ SIMPLE TRANSPORT SOLUTION

- Complete gate kit prepacked into steel pallet for forklift loading/unloading
- Ideal for storage & transporting
- Cost effective to send Australia wide
- No need for specialised transport to handle/move



ZEUS STEEL SLIDING MIDDLE GATE



Designed to compliment 1800mm or 2100mm high installed Zeus fence panels

Zeus steel middle sliding gate panel

1790MM or 2090MM H x 1260mm W or 2100mm W

Order Code: ZF-SG-M-1260-1790 (1260mm W x 1790mm H) (Approx 36kg nett)

ZF-SG-M-2100-1790 (2100mm W x 1790mm H) (Approx 38kg nett)

ZF-SG-M-1260-2090 (1260mm W x 2090mm H) (Approx 58kg nett)

ZF-SG-M-2100-2090 (2100mm W x 2090mm H) (Approx 63kg nett)

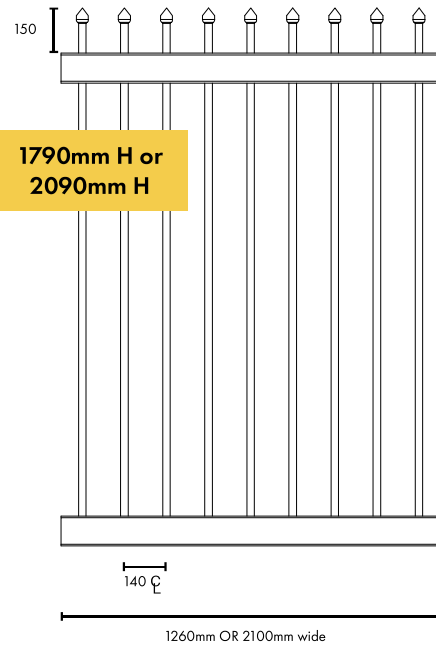
- Extend the sliding gate. Select module as required and extend gate width by a further 1260mm or 2100mm
- Extend gate width by adding up to 2 extra middle gate panels
- Middle panels have pre-drilled holes top & bottom rail for bolting together with internal joiners
- Black powder coated galvanised steel
- For each extra module added, a joiner kit is required (sold separately)

Powder coat colours —
Genuine Interpon powder coat

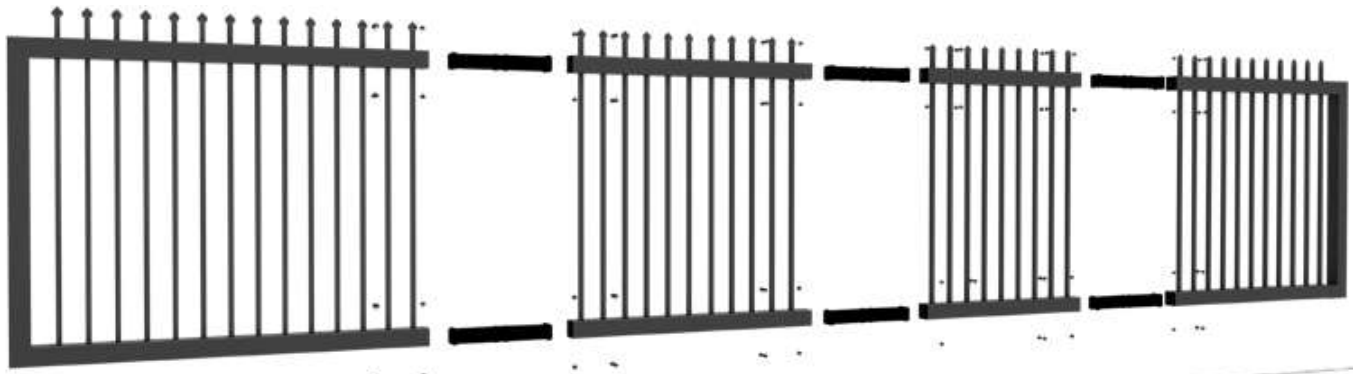


TRADE TIP

If width adjustment of gate required, do not cut at middle panel joins. Always width adjust by cutting at the gate end with the removeable vertical stile



ADD UP TO 2 MIDDLE GATE PANELS TO EXTEND GATE WIDTH



ZEUS STEEL SLIDING GATE – HARDWARE

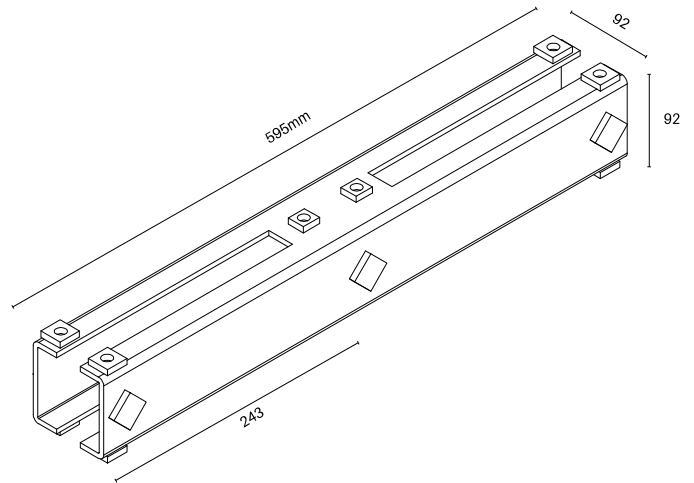


Joiner Kit

2 PACK

Order Code: ZF-SG-J-2PK

- 2 x 595mm long heavy duty internal joiners
- Use if extending gate width by adding middle gate panel. Each middle gate panel requires 1 x joiner kit
- 5mm thick heavy duty hot dip galvanised steel powder coated black
- Slotted top & bottom so pickets can pass through
- Each joiner has 12x threaded holes for accepting bolts
- Kit includes 2 x joiners; 25 x M12x25mm bolts powder coated black; 25 x T3mm flat washers & 25 x spring washers



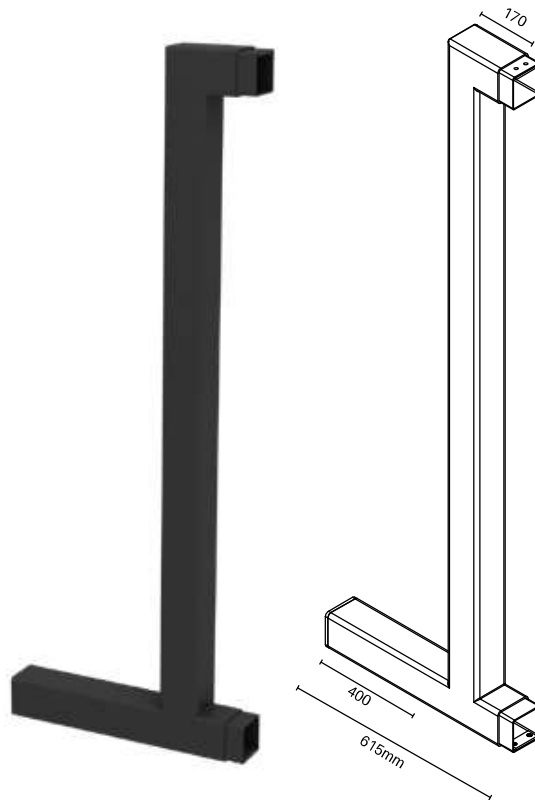
Vertical gate stile with extended bottom rail

1640MM OR 1940MM H

Order Code: ZF-SG-VGS-1790 (1640 H suits 1790 H gate)

ZF-SG-VGS-2090 (1940 H suits 2090 H gate)

- To install, remove pre-installed vertical stile on gate end and re-install with extended leg option
- Suggested to use if finished sliding gate width needs extra width for gate motor installation. Instead of adding another middle gate panel, gate width may be extended at end by 400mm with extended leg
- Features threaded holes that line up with gate holes for quick & easy bolting together
- Black powder coated galvanised steel



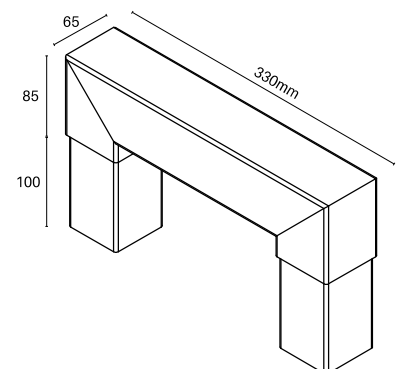
Tunnel post joiner

330MM

Black finish

Order Code: ZF-SG-TUNNEL

- Sleeves into 2 x 65mm x 65mm steel posts to create a 200mm inner wide tunnel
- Posts sold separately
- Suggested to use tunnel post at both ends of sliding gate and affix with anti tamper screws
- Black powder coated galvanised steel



ZEUS STEEL SLIDING GATE – HARDWARE

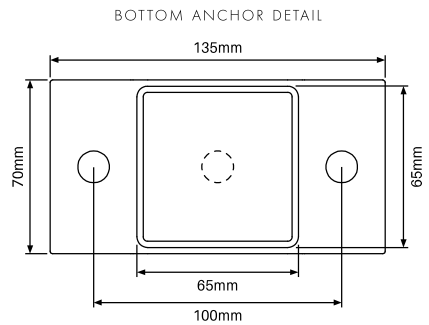
65x65mm steel post

2400MM OR 2700MM H

Black finish

Order Code: ZF-2400/2700-B

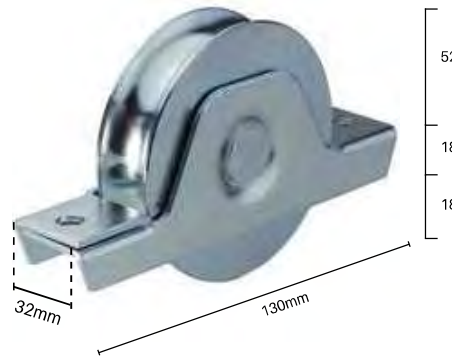
- 65mm x 65mm galvanised steel post powder coated black
- Available in 2400mm and 2700mm high
- 2.5mm wall thickness
- Includes welded on 8mm thick bottom plate with 2x Ø13mm holes – ideal for strong anchoring of core drilled posts
- FREE top cap included
- For sliding gates, due to weight of gates, we recommend core drilling posts
- To create tunnel post: install 2x 65mm posts next to each other allowing for a 200mm daylight opening, remove top caps & insert tunnel post joiner and affix with anti tamper screws



Sliding gate wheel

Order Code: ZF-SG-GATEWHEEL

- 90mm diameter with 20mm diameter groove
- Recessed fitting into gate bottom frame pre-slotted for wheel replacement
- Zinc plated steel
- Features double bearings: 300kg rating per wheel
- Made in Italy
- Sold as a single wheel



Screw for gate wheel

4 PACK

Order Code: ZF-SG-TAPTITE-4PK

- M8x30mm Taptite screw: 4 pack
- Use to affix gate wheel to bottom rail.
- Each wheel requires 2x Taptite screws
- Hex flange head
- Special trilobular thread forming screw.
- Superior resistance to vibrational loosening
- Pilot hole drill 7.3mm into gate bottom frame hole.
- Taptite screw will create thread while driving in

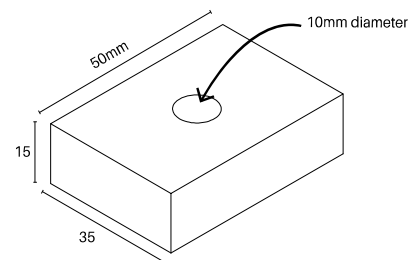
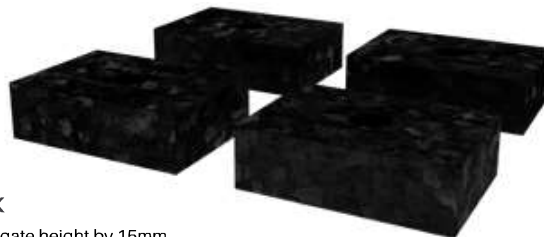


15mm Packer

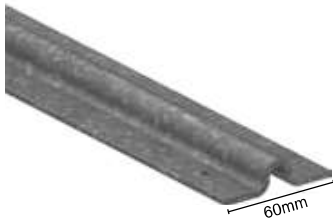
4 PACK

Order Code: ZF-SG-PACKER-4PK

- Allows height increase of Zeus sliding gate height by 15mm
- Position packer in between gate wheel and bottom rail
- Suits sliding gate wheel
- Hot dip galvanised steel powder coated black



ZEUS STEEL SLIDING GATE – HARDWARE



Steel sliding gate track

3000MM LONG OR 6000MM LONG

Order Codes:

XPSG-3000-TRACK-ST (3000mm)

XPSG-6000-TRACK-ST (6000mm)

- Available 3000mm or 6000mm long
- Made from 3mm galvanised steel for durability
- Bolt down sliding gate track with a Ø20mm running surface
- Easy to install with predrilled fixing holes (22 holes for 3000mm track and 42 holes for 6000mm track)



Sliding gate track pins

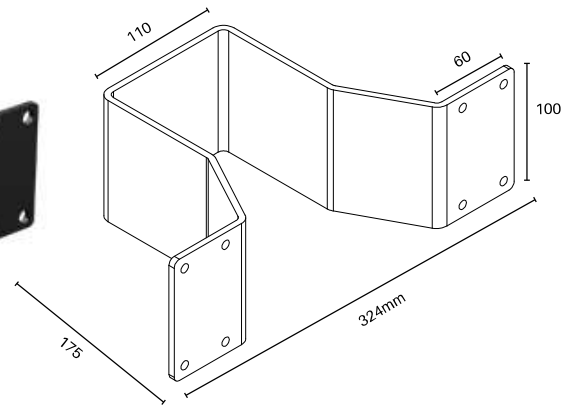
Order Code: XPSG-ANCHOR

- Mushroom head galvanised steel track anchor pins
- 6.5mm x 38mm
- Pre-expanded expansion anchor. Once hammered in, unique kinked shaft provides a spring action for vibration proof anchoring. Use 6.5mm masonry bit into concrete

Gate catch

Order Code: ZF-SG-TPCATCH

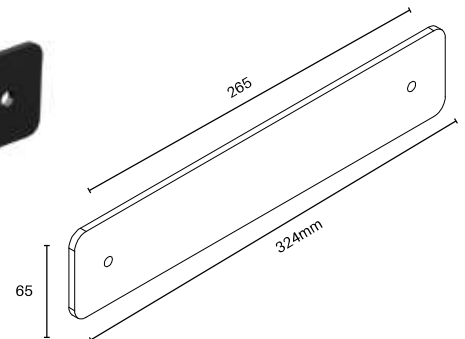
- 5mm steel hot dip galvanised powder coated black
- Suits tunnel posts configuration with 200mm wide tunnel
- Total of 8x 7mm diameter fixing holes
- Sliding gate should stop approx. 20mm short of gate catch end



Security top plate

Order Code: ZF-SG-TPPLATE

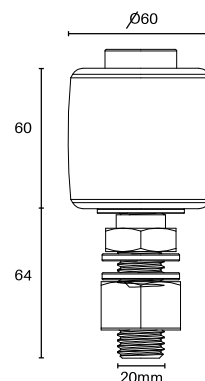
- 324mm wide flat plate with fixing holes both ends
- 5mm steel hot dip galvanised powder coated black
- Optional extra security feature to install on the gate leading edge tunnel post for when gate in closed position
- Install plate just above gate top frame to prevent gate being lifted off track
- 2x 7mm diameter fixing holes
- Anti tamper proof screw fixing recommended



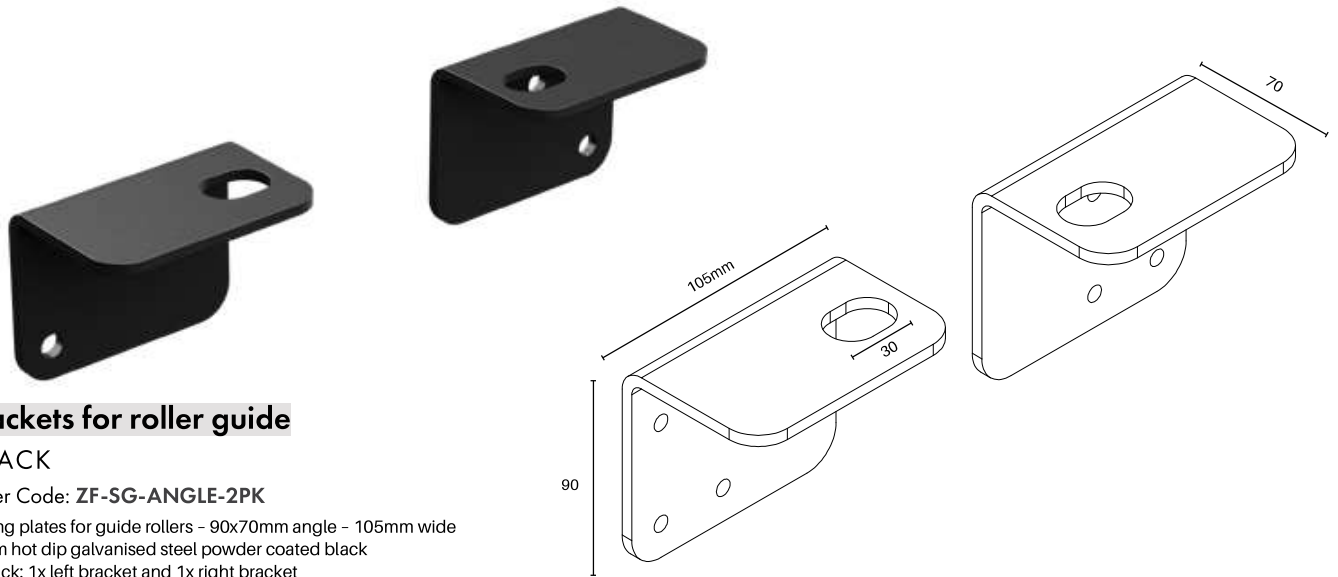
Guide roller

Order Code: ZF-SG-GUIDEROLLER

- 60mm diameter roller x 60mm long with M20 thread
- Premium roller featuring ball bearings with stainless steel bearing cage
- Made in Italy
- Assemble onto posts with specially made plates – refer code: ZF-SG-ANGLE-2PK
- Sold as single guide roller. 2 required per gate installation



ZEUS STEEL SLIDING GATE – HARDWARE



Brackets for roller guide

2 PACK

Order Code: **ZF-SG-ANGLE-2PK**

- Fixing plates for guide rollers – 90x70mm angle – 105mm wide
- 5mm hot dip galvanised steel powder coated black
- 2 pack: 1x left bracket and 1x right bracket
- 30 x 22mm slotted hole for guide roller installation. Slotted hole allows final adjustment of guide roller position
- Pre-drilled for fixing to posts & slotted hole for M20 guide roller thread
- 4x 7mm diameter fixing holes per bracket
- Made to suit 200mm wide tunnel post opening

Anti tamper screws

25 PACK

Order Code: **ZF-SECURESCREW-25PK**

- 12G x25mm long button head anti-tamper screw.
- 10mm diameter button head
- Black powder coated
- Respected "Pentaforce" brand
- Requires special drive bit for fixing: refer code ZF-PENTAFORCE-BIT
- Recommended to use for fixing of :
 - Catch to tunnel post
 - Roller guide angle brackets to posts
 - Security top plate to posts
 - Tunnel post joiner to posts
 - Can also be used for affixing panel brackets to posts for fence panels



Drivebit for anti tamper screws

Order Code: **ZF-PENTAFORCE-BIT**

- Required for fitting of Pentaforce anti-tamper screws
- Sold as single drive bit

