

BLITZ GLASS

Pool Fencing Aluminium



www.blitzglass.com.au



(07) 5493 9779



admin@blitzglass.com.au



TUBULAR POOL FENCING



Overview

Tubular fencing continues to remain highly sought after for pool fencing due to its ease of installation, cost effectiveness, robustness and pleasing aesthetic.

We now have available panels, posts and accessories in the trending finishes of monument and pearl white in addition to the ever popular flat top black panels.

Finishes —

Genuine Interpon powder coat





TUBULAR POOL FENCING



Flat top aluminium pool panel

1200MM H x 2450MM W

Order Code: **SS-FTP-2450-B/MN/W**

- 6 weld points per picket
- Pickets: 16mm diameter x 1.2mm (Alloy 6063 - T6)
- Spacings: 72.1mm gap with 88.1mm centre
- Rails: 38mm x 25mm x 1.6mm
- Compliant to AS1926.1



Flat top aluminium pool gate

1200MM H x 975MM W

Order Code: **SS-FTG-0975-B/MN/W**

- 6 weld points per picket
- Pickets: 16mm diameter x 1.2mm (Alloy 6063 - T6)
- Spacings: 72.1mm gap with 88.1mm centre
- Rails: 38mm x 25mm x 1.6mm
- Compliant to AS1926.1
- Mitred top corners on gate



**Pool fencing
compliant!**
AS 1926.1

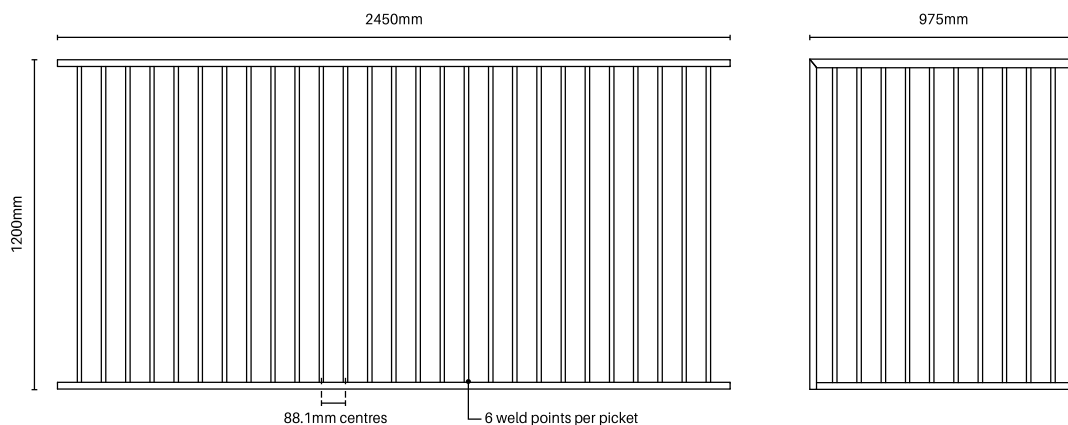
**Lifetime
manufacturer's
warranty***

*Conditions apply

Powder coat colours —
Genuine Interpon powder coat
**Primrose colour available
from Adelaide depot



TECHNICAL INFO



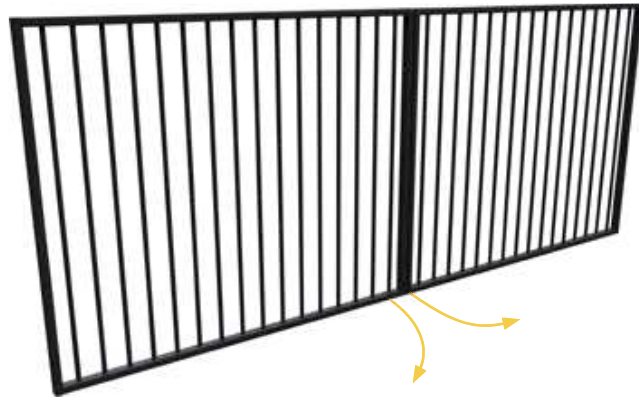
See pages 58-62 for post options



TUBULAR POOL FENCING



1 WIDTH ADJUSTABLE GATE



2 DOUBLE GATE SOLUTION

Flat top aluminium adjustable gate

1200MM H x 1515MM W

Order Code: **SS-FTG-1470-B**

- 6 point welds
- Pickets: 16mm diameter x 1.2mm (Alloy 6063 - T6)
- Spacings: 72.1mm gap with 88.1mm centre
- Rails: 38mm x 25mm x 1.6mm
- Standard gate is pool fencing compliant to AS1926.1 (Driveway double gates are not pool fencing compliant)
- Pre-assembled gate with removeable side stile inserted is 1515mm wide - with side stile removed, gate is 1470mm wide
- Features one welded and one removeable side stile
- Easily adjust gate width as required

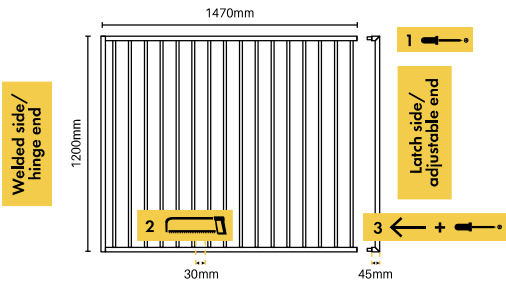
Driveway double gates

Use 2x standard 1515mm wide gates to achieve a driveway double gate up to 3030mm wide

Extras required:

2x pair of hinges, 1x latch, 2x drop bolts, 2x posts

Powder coat colour —
Genuine Interpon powder coat

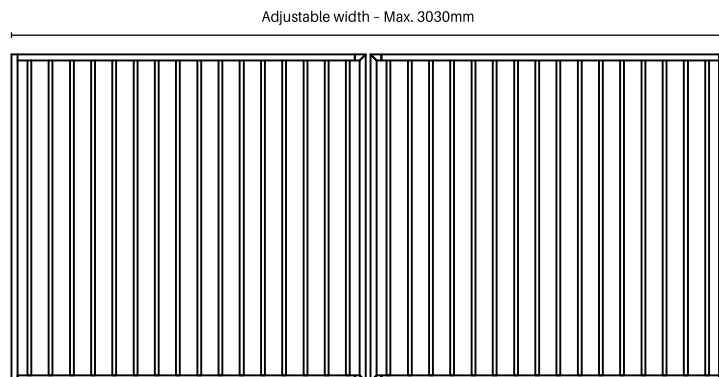
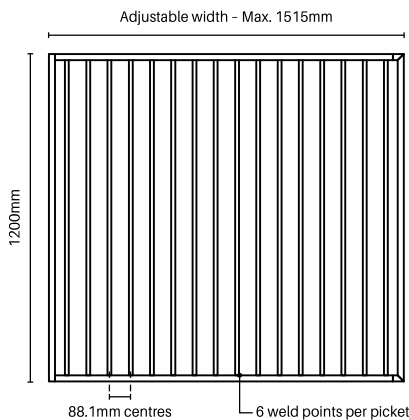


How to adjust gate —

- 1 Unscrew latch side end
- 2 Cut gate at desired width. Ensure you allow a minimum gap of 30mm from edge of picket
- 3 Re-insert latch end piece and re-screw to secure. Use 2x screws at top and bottom

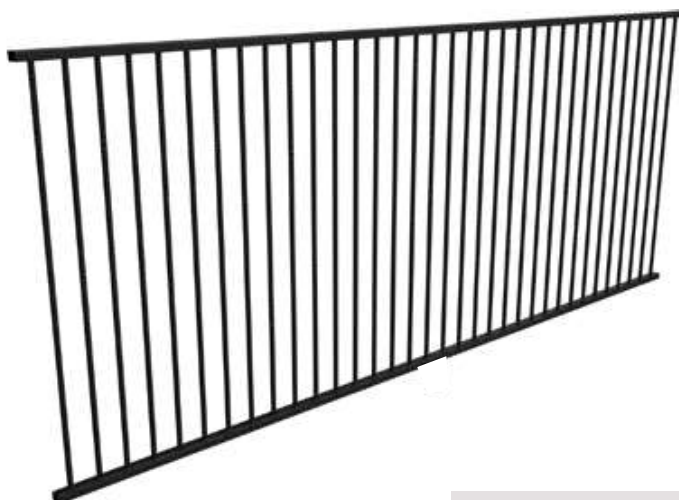
NOTE: Pre-assembled adjustable gate is 1515mm wide

TECHNICAL INFO





TUBULAR POOL FENCING



When wider panels are used, less posts are required.
Ideal for large runs of fencing



Pool fencing compliant!
AS 1926.1-2012

3m flat top aluminium pool panel

1200MM H x 3000MM W

Order Code: **SS-FTP-3000-B**

- 6 weld points per picket
- Pickets: 16mm diameter x 1.2mm (Alloy 6063 - T6)
- Spacings: 72.1mm gap with 88.1mm centre
- Rails: 38mm x 25mm x 1.6mm
- Compliant to AS1926.1

Powder coat colour —
Genuine Interpon powder coat

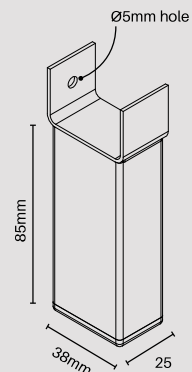


Support leg

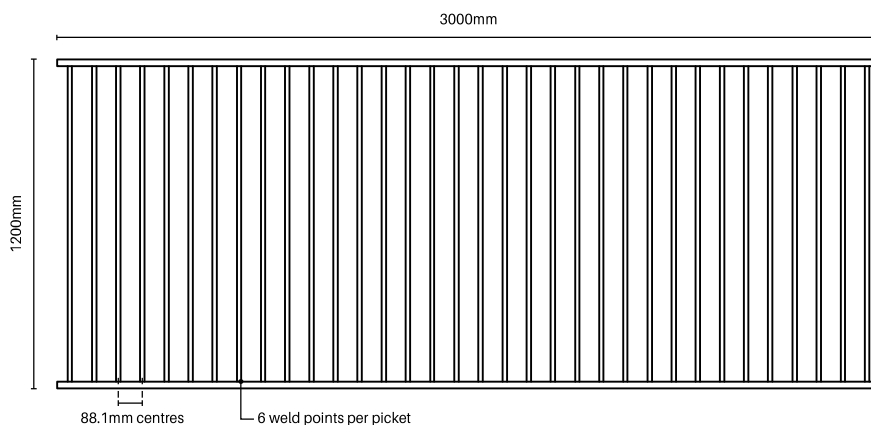
Black powder coated aluminium

Order Code: **SS-LEG**

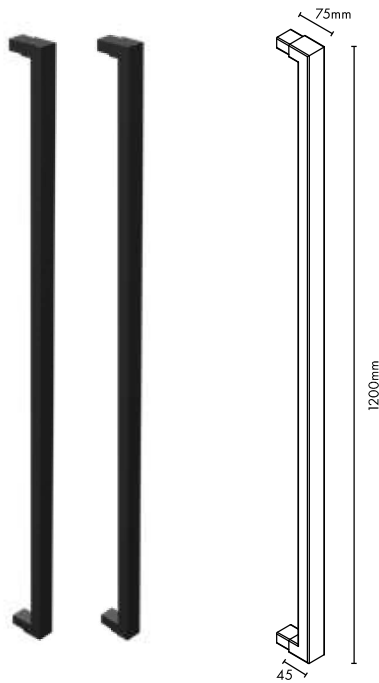
- Support leg for wider panel: affix to bottom rail
- Suits 38x25mm bottom rail
- Simply place where needed and screw off (screw provided)
- Easy height adjustment - simply cut as needed and replace press in plastic bottom cap



TECHNICAL INFO



TUBULAR FENCING GATE CONVERTERS



Aluminium gate converters

PACK OF 2

Order Code: **SS-1200-GC-2PK-/MN/W** (for 1200mm H panels)

- Easily convert standard flat top fence panels into gates
- Suits 1200mm high panels with 38x25mm horizontal rails
- Simply adjust panel width, insert converters both sides and fix off with 4x screws provided
- Pool fence compliant when used with a 1200mm H panel (note: gap between picket edge and inner gate stile edge must be 80mm or less)
- Save time and money versus custom made gates
- Sold as a pair (for left & right side of gate)

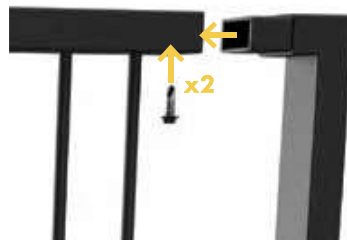
Powder coat colour —

Genuine Interpon powder coat

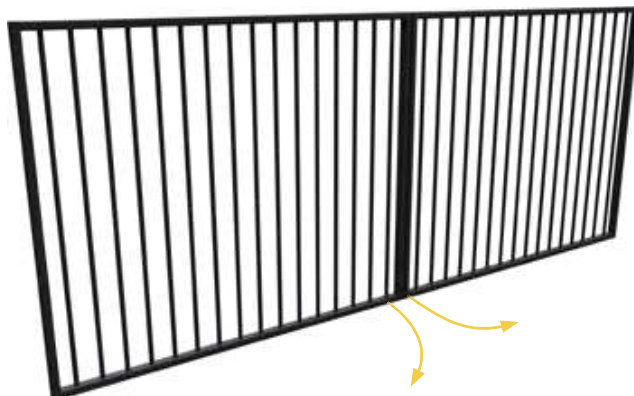


SIMPLE HOW TO

- 1 Cut panel to required width. Ensure minimum of 30mm gap from picket ends on both sides
- 2 Once inserted, engage screw top & bottom ensuring screw penetrates both panel & gate converter internal extensions
- 3 Gate converter stiles affixed at both ends



DOUBLE GATE SOLUTION



Driveway double gates

Use tubular panels to make double gates to suit your opening

Extras required:

2x pair of hinges, 1x latch, 2x drop bolts, 2x posts



RAKED TUBULAR FENCING PANELS



Raked flat top pool panel

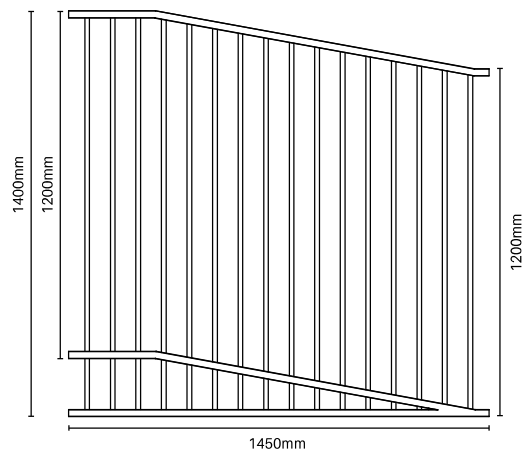
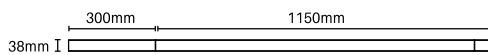
1400MM H x 1450MM W

Order Code: **SS-FTR-1400HT-B**

- Raked tubular pool fencing panels in stock
- 1450mm wide x 1400mm high
- Compliant to AS1926.1
- Ideal for overcoming step points at start or end of runs

Powder coat colours —
Genuine Interpon powder coat

BLACK
GN150A



Raked flat top pool panel

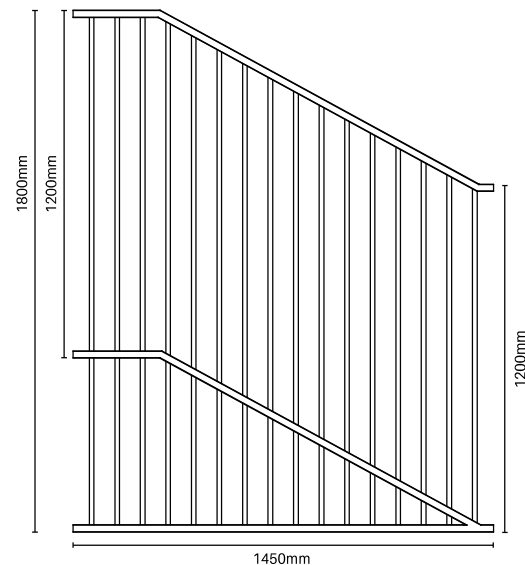
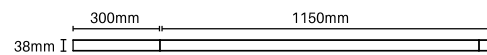
1800MM H x 1450MM W

Order Code: **SS-FTR-1800HT-B**

- Raked tubular pool fencing panels in stock
- 1450mm wide x 1800mm high
- Compliant to AS1926.1
- Ideal for overcoming step points at start or end of runs

Powder coat colours —
Genuine Interpon powder coat

BLACK
GN150A





FLAT TOP BOUNDARY FENCING



Flat top aluminium boundary panel

900MM H x 2400MM W

Order Code: **SS-900FTP-2400-B**

- 4 weld points per picket
- Pickets: 16mm diameter x 1.2mm (Alloy 6063 - T6)
- Spacings: 105mm centre (panel) / 100mm centre (gate)
- Rails: 38mm x 25mm x 1.6mm
- Suitable for boundary/garden fencing



Flat top aluminium boundary gate

900MM H x 975MM W

Order Code: **SS-900FTG-0975-B**

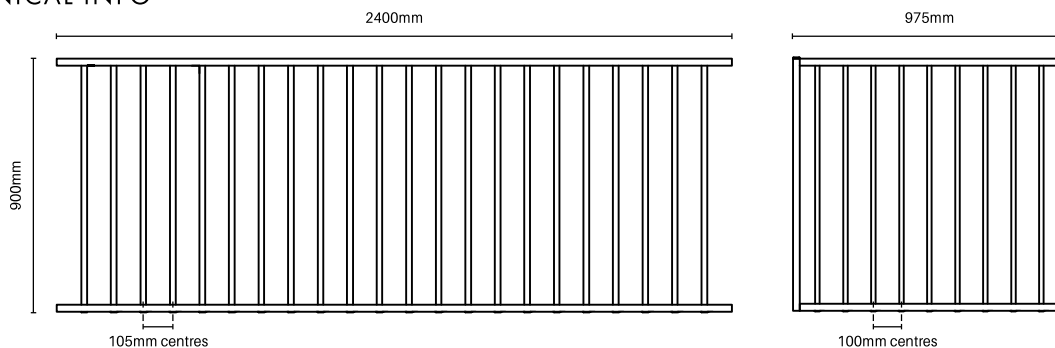
- 4 weld points per picket
- Pickets: 16mm diameter x 1.2mm (Alloy 6063 - T6)
- Spacings: 105mm centre (panel) / 100mm centre (gate)
- Rails: 38mm x 25mm x 1.6mm
- Suitable for boundary/garden fencing

Powder coat colour —
Genuine Interpon powder coat

BLACK
GN150A

**Cost effective boundary
fencing solution!**

TECHNICAL INFO



Aluminium gate converters

PACK OF 2

Order Code: **SS-0900-GC-2PK (for 900mm H panels)**

- Easily convert standard flat top fence panels into gates
- Suits 900mm high panels with 38x25mm horizontal rails
- Simply adjust panel width, insert converters both sides and fix off with 4x screws provided
- Pool fence compliant when used with a 1200mm H panel (note: gap between picket edge and inner gate stile edge must be 80mm or less)
- Save time and money versus custom made gates
- Sold as a pair (for left & right side of gate)

Powder coat colour —
Genuine Interpon powder coat

BLACK
GN150A

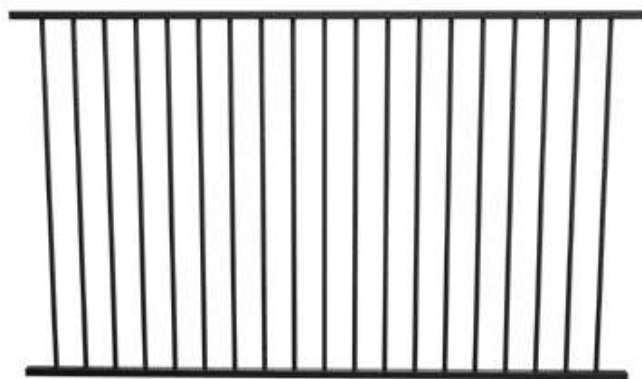




BOUNDARY FENCING

FLAT PACK IN A BOX BOUNDARY FENCING

- + INCREDIBLE PRICE POINT
- + FLAT PACKED FOR COST EFFECTIVE TRANSPORT
- + RAKE ONSITE TO 12 DEGREES



*Refer www.productinstall.com.au/tubular (password tubular1) for assembly overview

Xpress fence in a box – boundary fencing

ALUMINIUM POWDER COATED BLACK
1200MM H x 2000MM W

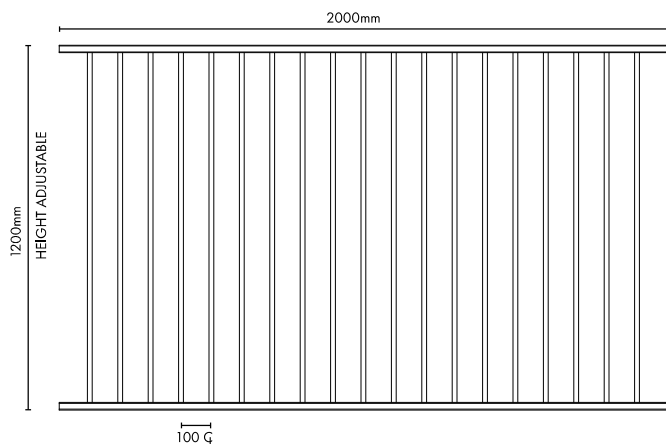
Order Code: XF-PP-2000-B

- Complete kit in a box – rails & pickets (shrouds sold separately)
- Pickets: 16mm diameter (Alloy 6063 – T6); Rails: 38x25mm
- Patented FRICTION FIT technology
- Fast & easy assembly – simply insert pickets into rails
- Rakes up to 12 degrees onsite
- Width & height adjustable. For height adjustment, simply cut picks to required height
- Suitable for boundary or garden fencing (not pool compliant)

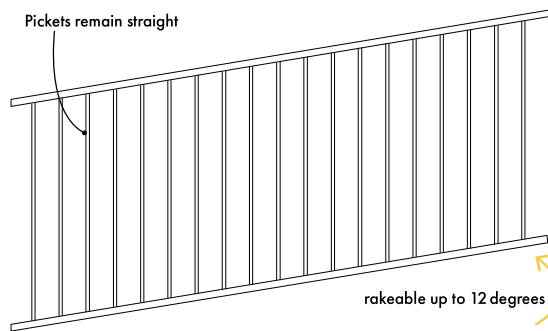
Powder coat colours –
Genuine Interpon powder coat



TECHNICAL INFO



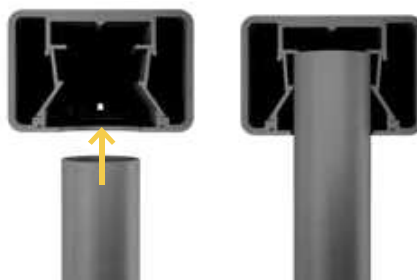
Rakeable up to 12 degrees



Flat packed in a box for easy transport & storage



Simply insert the pickets into the horizontal rails. Patented non weld, push together system



Fast & easy to assemble

