

BLITZ GLASS

Aluminium Gates Hardware



www.blitzglass.com.au



(07) 5493 9779



admin@blitzglass.com.au

Pedestrian gate options

SELECT FROM A RANGE OF PEDESTRIAN GATE OPTIONS

We can cut to size, flat pack and send Australia wide or you can purchase long length extrusions and cut to size yourself.

Assemble pre-powder coated gates with no welding or riveting required.

Save time and money without requirement of fully fabricating and welding gates.

Contact us for detailed assembly instructions



1 Horizontal slat pedestrian gate

Fitted with D&D LOKK Latch Deluxe

65mm x 16.5mm slats with 9mm or 20mm slat spacing

Patented gate side frames for fast assembly



2 Horizontal slat pedestrian gate

Fitted with D&D LOKK Latch Deluxe

65mm x 16.5mm or 90mm x 16.5mm slats

Variable slat spacing

Each slat required to be screw fixed



3 Horizontal slat pedestrian gate

Fitted with Lockwood 001 deadlatch

65mm x 16.5mm slats with 9mm or 20mm slat spacing

Patented gate side frames for fast assembly

Patented non-weld lockbox



4 Horizontal slat pedestrian gate

Fitted with knob or lever handle

65mm x 16.5mm slats with 9mm or 20mm slat spacing

Patented gate side frames for fast assembly

Patented non-weld lockbox



5 Vertical slat pedestrian gate

Fitted with D&D LOKK Latch Deluxe

65mm x 16.5mm or 90mm x 16.5mm slats

Variable slat spacing

Each slat required to be screw fixed

PEDESTRIAN GATE OPTIONS

Option 1

Horizontal slat gate with 65mm x 16.5mm slats
9mm or 20mm slat spacing
Fitted with the D&D Lokk Latch Deluxe

SEE PAGES 64-71 FOR FULL SPECIFICATIONS ON ALL PRODUCTS LISTED BELOW

- 1 **Patented non-weld gate side frames**
Machined drill holes & slots – 9mm or 20mm spacing
Suits 65x16.5mm slat
XP-4200-GSF09 or XP-4200-GSF20
- 2 **Gate insert**
Snaps into gate side frame to hide gate slat fixing screws
XP-4200-GI
- 3 **Gate frame cap**
Simply press into top of gate frames
XP-GFC
- 4 **Gate frame screws**
12 gauge x 65mm long with flange hex head
XP-SCREWSGF-10PK
- 5 **Gate hinges**
A range of hinging options available
See pages 72-76 & 82-83 for hinge options
- 6 **65mm x 16.5mm gate slat w/ 2x screw flutes**
Screw fluted slats at top/middle/bottom of gate
XP-6100-GB65
- 7 **65x16.5mm slat**
Standard slats held in place with patented friction fitting gate side frame
XP-6100-S65
- 8 **Lokk Latch Deluxe**
Manufactured by D&D Technologies
Lockable both sides
LL-DL | See pages 77-78 & 84



! INFORMATION BELOW RELATES TO OPTION 1 ONLY

GATE CONFIGURATIONS 'Gate slat' positioning in conjunction with width & height specifications

Up to 1000mm wide



Gate blades:

- 2x top
- 1x middle
- 1x bottom

From 1001mm to 1200mm wide



Gate blades:

- 2x top
- 1x middle
- 2x bottom

PEDESTRIAN GATE OPTIONS

Option 2

Horizontal slot gate with 65mm or 90mm x 16.5mm slats
Variable slat spacing including nil spacing
Fitted with the D&D Lokk Latch Deluxe
Maximum 1200mm wide

SEE PAGES 64-71 FOR FULL SPECIFICATIONS ON ALL PRODUCTS LISTED BELOW

1 Patented non-weld gate side frames

Machined drill holes
XP-4200-GSF20

2 Gate insert

Snaps into gate side frame to hide required fixing screws
XP-4200-GI

3 Gate frame cap

Simply press into top of gate frames
XP-GFC

4 Gate frame screws

12 gauge x 65mm long with flange hex head
Use to fix off heavy duty top/bottom rail
XP-SCREWSGF-10PK

5 Gate hinges

A range of hinging options available
See pages 72-76 & 82-83 for hinge options

6 Non-punched gate infill

Replaces slotted infill from gate side frame
XP-XBAT-4200-INF

7 Quickscreen sideframe

Affix to inner face of gate side frame
Insert and screw off each slat – variable spacing
QS-5800-SF

8 Quickscreen concealed fixing cover

Snap-on cover to hide slat fixing screws
QS-5800-CFC

9 Fixing screws

Use to affix Quickscreen side frames and slats
All slats must be screw fixed to side frames
XP-SCREWS

10 65x16.5mm or 90x16.5mm slat

Slats held in place with fixing screws
XP-6100-S65 / QS-6100-S90

11 65x45mm heavy duty rail

Position at top & bottom of gate
XP-6100-HD6545

12 Lokk Latch Deluxe w/ packer

Manufactured by D&D Technologies
Lockable both sides
LL-DL | See page 77-78 & 84



! INFORMATION BELOW RELATES TO OPTION 1 ONLY

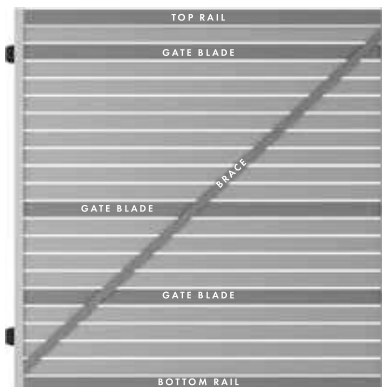
From 1201 mm to 1500mm wide



Gate blades:

- 3x top
- 1x middle
- 2x bottom

From 1501 mm to 2100mm wide



Gate blades:

- 1x 2nd slat down
- 1x middle
- 1x ¾ down

Top & bottom rail:

- 1x HD top rail
- 1x HD bottom rail

Brace:

- 1x centre support rail (Diagonal)

PEDESTRIAN GATE OPTIONS

Option 3

Horizontal slat gate with 65mm x 16.5mm slats
9mm or 20mm slat spacing
Fitted with the Lockwood 001 deadlatch
*Inwards swinging only

SEE PAGES 64-71 FOR FULL SPECIFICATIONS ON ALL PRODUCTS LISTED BELOW

- 1 Patented non-weld gate side frames**
Machined drill holes & slots – 9mm or 20mm spacing
Suits 65x16.5mm slat
XP-4200-GSF09 or XP-4200-GSF20
- 2 Gate insert**
Snaps into gate side frame to hide gate slat fixing screws
XP-4200-GI
- 3 Gate stop & rubber**
Required for latch side of gate
XP-4200-GSTOP / XP-GATESTOP-RUB
- 4 Aluminium CSK blind rivet**
CSK rivets recommended due to 3mm gap
between latching post & gate side frame
XP-GATESTOP-RIV-10PK
- 5 Gate frame cap**
Simply press into top of gate frames
XP-GFC
- 6 Gate frame screws**
12 gauge x 65mm long with flange hex head
XP-SCREWSGF-10PK
- 7 Gate hinges**
A range of hinging options available
See pages 72-76 & 82-83 for hinge options
- 8 65mm x 16.5mm gate slat w/ 2x screw flutes**
Screw fluted slats at top/middle/bottom of gate
XP-6100-GB65
- 9 65x16.5mm slat**
Standard slats held in place with patented
friction fitting gate side frame
XP-6100-S65



- 10 Deadlatch lockbox**
Patented non-weld lockbox to suit Lockwood 001 deadlatch
XP-LBOX-DL
- 11 Lockwood 001 deadlatch**
Manufactured by Lockwood
XP-DL001 | See page 68

! INFORMATION BELOW RELATES TO OPTIONS 3 & 4

GATE CONFIGURATIONS 'Gate slat' positioning in conjunction with width & height specifications

Up to 1000mm wide



- Gate blades:**
- 2x top
 - 1x middle
 - 1x bottom

From 1001mm to 1200mm wide



- Gate blades:**
- 2x top
 - 1x middle
 - 2x bottom

PEDESTRIAN GATE OPTIONS

Option 4

Horizontal slat gate with 65mm x 16.5mm slats
9mm or 20mm slat spacing
Fitted with knob or lever handle set

SEE PAGES 64-71 FOR FULL SPECIFICATIONS ON ALL PRODUCTS LISTED BELOW

1 Gate lever set lock box kit

Inclusions:

- 1a 2x 2094mm gate side frame (9mm or 20mm spacing)
 - 1b 2x Gate insert
 - 1c 2x Machined gate stop (Left & right) with bulb rubber
 - 1d 1x Non-machined gate stop (for hinge side)
 - 1e 2x Gate frame caps
 - 1f 1x 10 pack Wafer head 10-16x16mm screws (For affixing gate stop)
- XP-GKIT-LSET09 or XP-GKIT-LSET20

2 Gate frame screws

12 gauge x 65mm long with flange hex head
XP-SCREWSGF-10PK

3 Gate hinges

A range of hinging options available
See pages 72-76 & 82-83 for hinge options

4 65mm x 16.5mm gate slat w/ 2x screw flutes

Screw fluted slats at top/middle/bottom of gate
XP-6100-GB65

5 65x16.5mm slat

Standard slats held in place with patented friction fitting gate side frame
XP-6100-S65

6 Lockbox

Patented non-weld lockbox to suit knob/lever handle set
XP-LBOX-LSET

7 Knob or lever handle set

Key lockable both sides
XP-HDL-KNOB / XP-HDL-LEVER / XP-HDL-LW534
See page 68



! INFORMATION BELOW RELATES TO OPTIONS 3 & 4

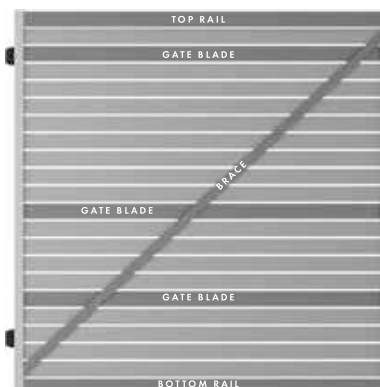
From 1201 mm to 1500mm wide



Gate blades:

- 3x top
- 1x middle
- 2x bottom

From 1501 mm to 2100mm wide



Gate blades:

- 1x 2nd slat down
- 1x middle
- 1x ¾ down

Top & bottom rail:

- 1x HD top rail
- 1x HD bottom rail

Brace:

- 1x centre support rail (Diagonal)

PEDESTRIAN GATE OPTIONS

Option 5

Vertical slat gate with 65mm or 90mm x 16.5mm slats
 Variable slat spacing including nil spacing
 Fitted with the D&D Lokk Latch Deluxe
 Maximum 1200mm wide

SEE PAGES 64-71 FOR FULL SPECIFICATIONS ON ALL PRODUCTS LISTED BELOW

- 1 **Patented non-weld gate side frames**
Machined drill holes
XP-4200-GSF20
- 2 **Gate insert**
Snaps into gate side frame to hide top & bottom rail fixing screws
XP-4200-GI
- 3 **Gate frame cap**
Simply press into top of gate frames
XP-GFC
- 4 **Gate frame screws**
12 gauge x 65mm long with flange hex head
Use to fix off heavy duty top/bottom rail
XP-SCREWSGF-10PK
- 5 **Gate hinges**
A range of hinging options available
See pages 72-76 & 82-83 for hinge options
- 6 **Non-punched gate infill**
Replaces slotted infill from gate side frame
XP-XBAT-4200-INF
- 7 **U channel**
Affix to vertical inner face of gate side frames
Reduces potential light gap on both vertical edges of gate
QS-5000-HORIZ
- 8 **Quickscreen sideframe**
Affix to inner face of top & bottom rails
Insert and screw off each slat – variable spacing
QS-5800-SF
- 9 **Quickscreen concealed fixing cover**
Snap-on cover to hide slat fixing screws
QS-5800-CFC
- 10 **Fixing screws**
Use to affix Quickscreen side frames and slats
All slats must be screw fixed to side frames
XP-SCREWS
- 11 **65x45mm heavy duty rail**
Position at top & bottom of gate
XP-6100-HD6545
- 12 **65x16.5mm or 90x16.5mm slat**
Slats held in place with fixing screws
XP-6100-S65 / QS-6100-S90
- 13 **Lokk Latch Deluxe w/ packer**
Manufactured by D&D Technologies
Lockable both sides
LL-DL | See page 77-78 & 84



When calculating even spacing between vertical slats, overall gate width should be carefully considered to ensure first and last gap (between gate side frames and first/last slat) are kept uniform with other slat spacing

GATE EXTRUSION & ACCESSORIES

20mm gate lockbox kit

SUITABLE FOR LEVER/KNOB LOCK SET

Order Code: **XP-GKIT-LSET20**

- Gate side frame kit is specifically machined to suit horizontal pedestrian gate with lockbox and KNOB/LEVER set
- Patented non-weld assembly system: Use pre-powder coated aluminium lockbox (Code: XP-LBOX-LSET)
- Suits 65x16mm slats with 20mm spacing (Sold separately)
- Lockbox and lever/knob handle sold separately

Finishes



BLACK
(B)



MONUMENT
(MN)



WOODLAND
GREY
(G)



SILVER
(S)



SURFMIST
(SM)



WHITE
(W)



BASALT
(BS)



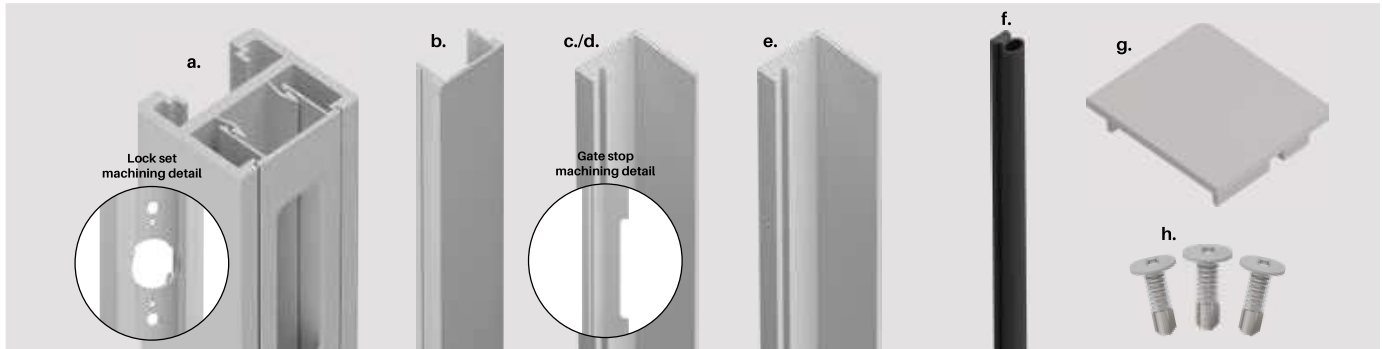
DUNE
(D)



MILL
(M)

KIT INCLUSIONS

- a. 2 x 2094mm long Gate Side Frame slotted with 20mm space (1pc has extra machining for lock set)
- b. 2 x 2094mm long Gate Inserts
- c. 1 x 2200mm long Right hand machined Gate Stop
- d. 1 x 2200mm long Left hand machined Gate Stop
- e. 1 x 2200mm long non-machined Gate Stop (for hinge side)
- f. 2 x 2250mm long Gate Stop Rubber
- g. 2 x Gate Frame Cap – Black nylon
- h. 1 x 10 pack Wafer head 10-16 x 16mm screws (for affixing gate stop)



Deadlatch lockbox

ALUMINIUM

Black / Monument / Woodland Grey / Silver / Surfmist / White Basalt / Dune / Mill finish

Order Code: **XP-LBOX-DL**

- Patented non-weld lockbox
- Suits horizontal slat gates with 65x16.5mm slats
- Must use with gate side frame (XP-4200-GSF09/20)
- Screw fix assembly of pre-powder coated lockbox and extrusion
- Suits Lockwood 001 deadlatch (XP-DL001)



Lever/knob lockbox

ALUMINIUM

Black / Monument / Woodland Grey / Silver / Surfmist / White Basalt / Dune / Mill finish

Order Code: **XP-LBOX-LSET**

- Patented non-weld lockbox
- Suits horizontal slat gates with 65x16.5mm slats
- Must use with gate kits (XP-GKIT-LSET09/20)
- Screw fix assembly of pre-powder coated lockbox and extrusion
- Suits knob or lever sets (Stanley or Lockwood models)



Lockwood round knob set

HIGH PURITY ZINC ALLOY

Order Code: **XP-HDL-LW534**

- Lockwood model 534
- Knob set keyed both sides
- Lock / unlock both sides
- Suits left or right gate opening
- Satin Chrome brushed finish
- C4 5 pin on outside
- C4 6 pin restricted compatible on inside



Lockwood 001 deadlatch

12Gx65MM HEX
FLANGE HEAD

Order Code: **XP-DL001**

- Lockwood 001 deadlatch to suit metal frames
- Market leading performance & reliability
- Only suits inwards swinging gate
- Cut-resistant stainless steel bolt



Stanley round knob set

STAINLESS STEEL

Order Code: **XP-HDL-KNOB**

- Knob set keyed both sides
- Lock / unlock both sides
- Suits left or right gate opening
- Stainless steel knob and rose
- C4 6 pin restricted compatible (Inside & outside)



Stanley lever set

STAINLESS STEEL

Order Code: **XP-HDL-LEVER**

- Lever set keyed both sides
- Lock / unlock both sides
- Suits left or right gate opening
- Stainless steel knob and rose
- C4 6 pin restricted compatible (Inside & outside)

GATE ACCESSORIES



Hinge panel brace screws

12Gx40MM – 12 PACK

Black / Monument / Woodland Grey / Silver / Surfmist / White Basalt / Dune / Mill finish

Order Code: XPL-SCHEX-12PK

- Screws fix through post and slat both sides of panel that gate hinges from
- Fix off both sides at top slat and mid slat positions
- Pilot hole required before screw fixing (ensure drill does not penetrate other side of post)
- Must be used to provide rigidity of hinging panel adjacent to gate

Applicable if using XPress PLUS post system next to gate



Finishes



Gate frame cap

NYLON

Black / Monument / Woodland Grey / Silver / Surfmist / White

Order Code: XP-GFC

- UV stabilised nylon – 3mm thick cap
- Available in 5 colours
- Suits gate side frame
- Press-in flat cap

Finishes



Self drilling wafer screws

10Gx16MM – BAG OF 100

Black / Monument / Woodland Grey / Silver / Surfmist / White Basalt / Dune / Mill finish

Order Code: XP-SCREWS

- 10G x 16mm self drilling wafer head zinc plated
- Powder coated heads for neat finish
- Use to screw fix slats to Quickscreen side frame or to affix centre support rail to slats



Countersunk blind rivet

4.0x8.4

Order Code: XP-GATESTOP-RIV-10PK

- Countersunk aluminium rivet – 10 pack
- Use for affixing gate stop to post when using a lockbox with Lockwood 001 deadlatch – due to 3mm gap requirement between gate side frame and post rivets are required (as screw heads may interfere)



PACK OF 10 Gate frame screws

12Gx65MM HEX FLANGE HEAD

Order Code: XP-SCREWSGF-10PK

- Use to secure gate slats to gate side frame through pre-machined holes in gate side frames
- Hex flange head for easy assembly

Electric Striker

Order Code: XP-HDL-ES

- Optional electric striker kit
- SS304 striker – Left or right handing
- Power required to lock/unlock
- 12 volt (DC current)
- LATCHING POST – face mount face plate with built in side keeper
- Requirement to notch latching post to recess electric striker mechanism
- Allow 9mm latching gap
- Compatible with locks:
 - XP-HDL-LW534
 - XP-HDL-KNOB
 - XP-HDL-LEVER

* Routing template included with kit



Gate stop rubber

4300MM LONG

Order Code: XP-GATESTOP-RUB

- Used as bumper for gate stop (mates with XP-4200-GSTOP)
- Rubber feeds into cavity in gate stop extrusion
- Cut to required length

Nylon packer

USE WITH D&D LOKK LATCH DELUXE

Order Code: XP-PACKER

- UV stabilised nylon
- Must be used when installing a D&D Lokk Latch Deluxe
- Packer aligns Lokk Latch Deluxe with gate side frame
- Affixes to inner face of gate side frame positioned under Lokk Latch striker



GATE ASSEMBLY: SIMPLE OVERVIEW

GATE OPTIONS 1, 3 & 4



1 On a flat protected surface, lay 1x gate side frame with slotted spacer infill and rest against a padded stop and tap slats and gate blades into place



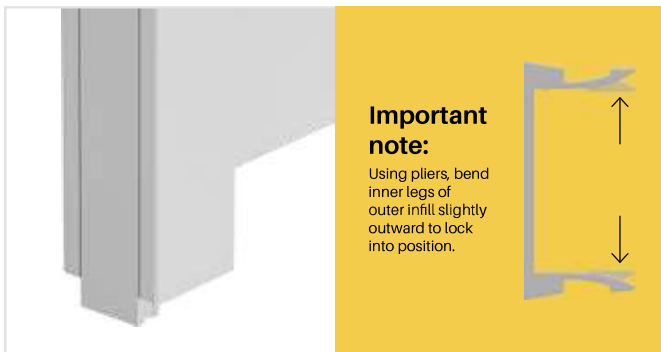
2 Elevate slats and gate side frame on two padded bearers. Engage second gate side frame to slats and tap frame until all slats are fully engaged
TIP: Start at one end and work slats in from one end to the other



3 Screw off gate blades at required positions. Ensure gate is square by measuring diagonals



4 Slide 2x outer infills down into position to hide screw heads



Important note:

Using pliers, bend inner legs of outer infill slightly outward to lock into position.

5 Slide 2x outer infills past end of gate side frame (approx. 10mm), then using pliers, bend inner legs of outer infill slightly outwards. Tap outer infill back to level with gate side frame

TIP: This step stops the outer infill from sliding down prior to hardware installation



6 Insert top caps into side frames

To determine the actual slat width for your gate, make a deduction of 36mm to the overall gate width (outer edge to outer edge of gate side frame)

FORMULA FOR SLAT WIDTH:
OVERALL GATE WIDTH – 36MM

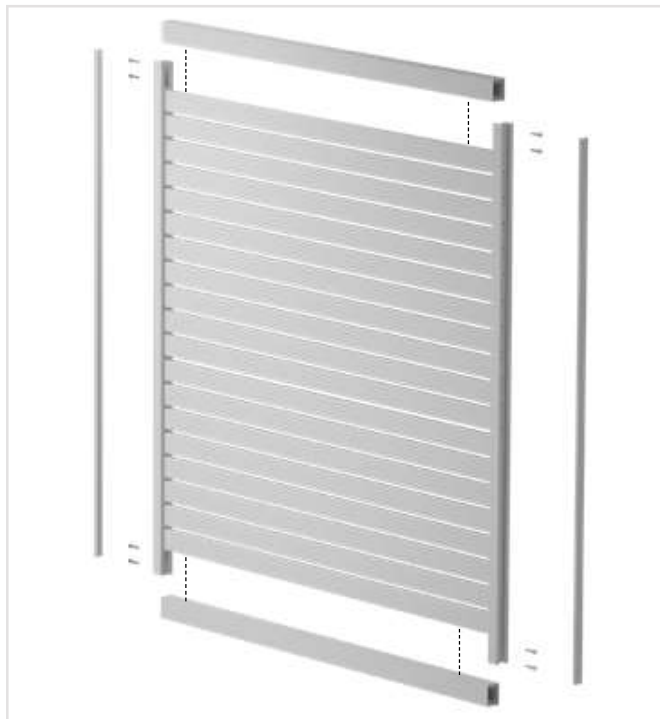
You need to allow for hinge and latch gaps
Check hinge and latch hardware specifications for gaps required and take this information into account when determining overall gate width

Contact us for further installation instructions when using lockboxes etc.

GATE ASSEMBLY

GATES WIDER THAN 1500MM

- 1 When the gate is wider than 1500mm, 2x heavy duty top/bottom rails are used in place of the top and bottom gate blades (Additional gate blades are still required as per page 63).



- 2 Once top/bottom rails and all slats are installed, ensure gate is square. The slimline brace must be measured and cut with an aluminium drop saw to run diagonally across the back face of the gate. Secure each slat using XP-SCREWS.

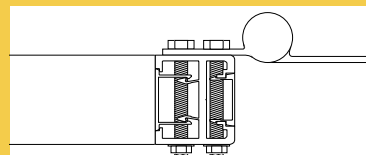
IMPORTANT:

Ensure the slimline brace is installed running from the 'bottom' hinge side corner to the top 'latch' side corner



SUGGESTED HINGE FIXING METHOD USING 65MM M8 BOLTS, SPRING WASHERS & NUTS FOR GATES 1500MM AND UNDER

* Hinge fixings not supplied



Our range of gate hinges

D&D hinges available as single items or buy in carton lots for large bulk buy discounts on selected lines



D[®] TRUClose[®]

TruClose[®] hinge pair
NO ALIGNMENT LEGS
Order Code: TC-H-AT-B
D&D Code: TCA1S3BT



D[®] TRUClose[®]

TruClose[®] hinge pair
2 ALIGNMENT LEGS
Order Code: TC-H-AT-2L-B
D&D Code: TCA1L23BT



D[®] TRUClose[®] HEAVY DUTY

TruClose[®] hinge pair
Heavy duty
1 ALIGNMENT LEG
Order Code: TC-H-AT-HD-B
D&D Code: TCHD1AL1S3BT



D[®] TRUClose[®] HEAVY DUTY

TruClose[®] hinge pair
Heavy duty
2 ALIGNMENT LEGS
Order Code: TC-H-AT-HD-2L-B
D&D Code: TCHD1AL2S3BT



D[®] KWIKFit[®]

Kwik Fit[®] hinge pair
FIXED TENSION
Order Code: KF-H-FT
D&D Code: KF35



D[®] KWIKFit[®]

Kwik Fit[®] hinge pair
NO TENSION
Order Code: KF-H-NT
D&D Code: KF3P



D[®] KWIKFit[®] ALUMINIUM

Kwik Fit[®] Aluminium
hinge pair
ADJUSTABLE TENSION
Order Code: KF-AH-AT
D&D Code: KF3ABL



SureClose[®] Readyfit
hydraulic hinge closer
2 ALIGNMENT LEGS
Order Code: SURECLOSE -HH
D&D Code: 74108313



SureClose[®] Readyfit
hinge non self closing
closer
2 ALIGNMENT LEGS
Order Code: SURECLOSE -NSC
D&D Code: 74001313

GATE HINGES

19mm
gap spacing

No
alignment legs

(variable spacing achievable)



Certi cap – Series 3

Order Code: TC-CAPS3

D&D code: TCACAP53

- Prevents toe hold on hinge
- Durable polymer material



TruClose® hinge pair

NO ALIGNMENT LEGS

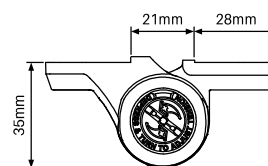
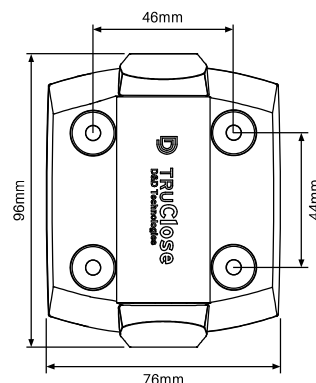
Order Code: TC-H-AT-B (Pair)
BB-TC-H-AT-B (*Bulk buy)

D&D code: TCA1S3BT

- D&D patented tension adjustment
- Strong, moulded polymer and stainless steel
- Adjust tension from both ends of the hinge
- No visible fixings
- Decorative trim covers available in black finish
- Super strong engineering polymers and stainless steel components
- Won't rust, bind, sag or stain
- Limited lifetime warranty
- Pool fencing compliant – Rated for gates up to 30kg

No alignment legs on hinge allows for flexibility when positioning gate onto post

*BULK BUY CARTON QTY: 20 PAIRS



Reinforcing ribs
Moulded ribs provide super strength

Concealed fasteners
Trim covers hide the fasteners to improve the appearance of the gate



Patented adjuster
Easy tension adjustment

Internal stainless steel spring
Won't rust or corrode

Moulded hinge body
Engineering polymers with glass fibre reinforcement are UV stabilised



*Black trim covers only

21mm
gap spacing

2
alignment legs



Certi cap – Series 3

Order Code: TC-CAPS3

D&D code: TCACAP53

- Prevents toe hold on hinge
- Durable polymer material



TruClose® hinge pair

2 ALIGNMENT LEGS

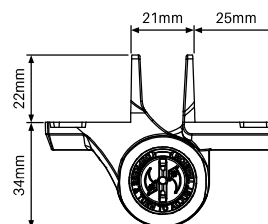
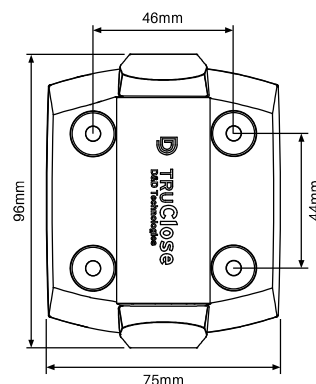
Order Code: TC-H-AT-2L-B (Pair)
BB-TC-H-AT-2L-B (*Bulk buy)

D&D code: TCA1L2S3BT

- D&D patented tension adjustment
- Strong, moulded polymer and stainless steel
- Adjust tension from both ends of the hinge
- No visible fixings
- Decorative trim covers available in black finish
- Super strong engineering polymers and stainless steel components
- Won't rust, bind, sag or stain
- Limited lifetime warranty
- Pool fencing compliant – Rated for gates up to 30kg

Two alignment legs on hinge allows for quick, easy and accurate positioning of gate onto post

*BULK BUY CARTON QTY: 20 PAIRS



GATE HINGES

19mm
gap spacing

1
alignment leg



TRUClose® HEAVY DUTY

TruClose® hinge pair Heavy duty

1 ALIGNMENT LEG

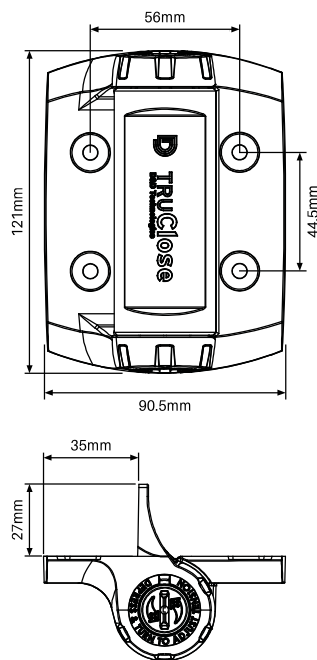
Order Code: TC-H-AT-HD-B (Pair)
BB-TC-H-AT-HD-B (*Bulk buy)

D&D code: TCHD1AL1S3BT

- D&D patented tension adjustment
- Strong, moulded polymer and stainless steel
- Adjust tension from both ends of the hinge
- No visible fixings
- Decorative trim covers available in black finish
- Super strong engineering polymers and stainless steel components
- Won't rust, bind, sag or stain
- Limited lifetime warranty
- Pool fencing compliant - Rated for gates up to 70kg

One alignment leg on hinge allows for quick and sturdy fixing on one side with flexible positioning on the other side

*BULK BUY CARTON QTY: 20 PAIRS



21mm
gap spacing

2
alignment legs



TRUClose® HEAVY DUTY

TruClose® hinge pair Heavy duty

2 ALIGNMENT LEGS

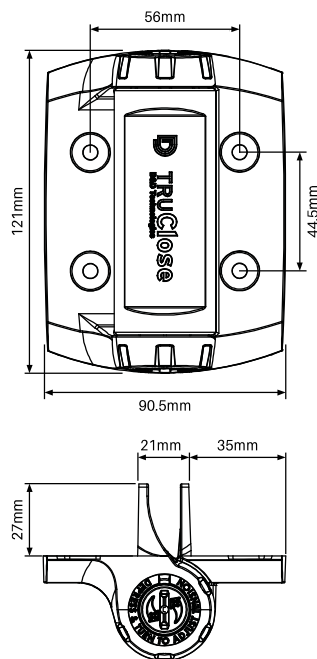
Order Code: TC-H-AT-HD-2L-B (Pair)
BB-TC-H-AT-HD-2L-B (*Bulk buy)

D&D code: TCHD1AL2S3BT

- D&D patented tension adjustment
- Strong, moulded polymer and stainless steel
- Adjust tension from both ends of the hinge
- No visible fixings
- Decorative trim covers available in black finish
- Super strong engineering polymers and stainless steel components
- Stylish and contemporary design
- Won't rust, bind, sag or stain!
- Limited lifetime warranty
- Pool fencing compliant - Rated for gates up to 70kg

Two alignment legs on hinge allows for quick, easy and accurate positioning of gate onto post

*BULK BUY CARTON QTY: 20 PAIRS



GATE HINGES

20mm
gap spacing

Fixed tension



Kwik Fit® hinge pair

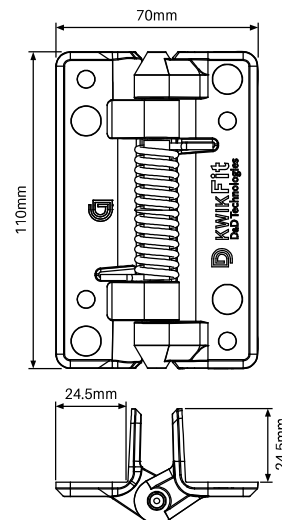
FIXED TENSION

Order Code: KF-H-FT (Pair)
BB-KF-H-FT (*Bulk buy)

D&D code: KF35

- Self closing fixed tension hinges
- Rated to 20kg self close (D&D)
- Alignment legs for ease of fitting
- Strong polymer and stainless steel
- Torsion spring construction
- Pool fencing compliant

*BULK BUY CARTON QTY: 50 PAIRS



20mm
gap spacing

No tension



Kwik Fit® hinge pair

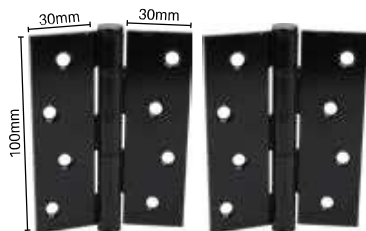
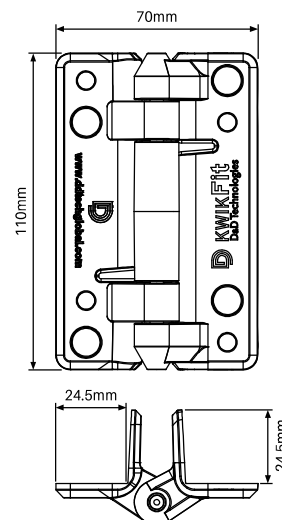
NO TENSION

Order Code: KF-H-NT (Pair)
BB-KF-H-NT (*Bulk buy)

D&D code: KF3P

- Standard pivot hinges (No self close)
- Rated to 25kg gates (D&D)
- Alignment legs for ease of fitting
- Strong polymer construction
- Ideal for boundary gates

*BULK BUY CARTON QTY: 50 PAIRS

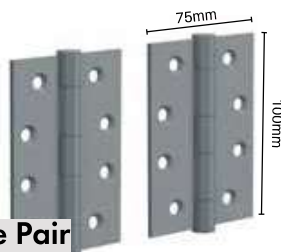


Butt hinge pair

100MM H x 75MM W

Order Code: SS-BH10075-B

- Cost effective where self closing hinge is not required
- Zinc plated steel
- Powder coated black
- Multiple fixing points – Ø6mm holes
- Not self closing



Butt Hinge Pair

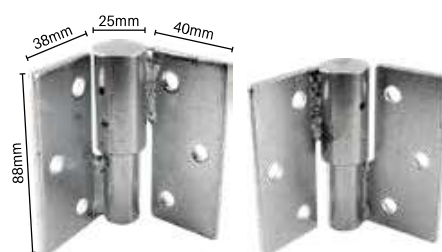
PAIR OF 2
(includes 17 x matching colour tek screws)

17 x tek screws

Order Code: CB-HINGE-B-2PK

- Made from galvanised steel & powder coated
- 6.5mm diameter fixing holes
- 2.5mm thick hinge leaf

Finishes



Zeus hinges

Order Code: ZF-BBH-L/R (Left/Right)

- Bolt on ball bearing hinge pair
- Left and right hinges available
- Galvanised steel construction
- Sturdy, long lasting hinges
- Suits heavy/wide hinge gates
- Not self closing

GATE HINGES

19mm
gap spacing

Adjustable
tension

D **KWIKFit** **ALUMINIUM**

Kwik Fit® Aluminium hinge pair

ADJUSTABLE TENSION

Order Code: **KF-AH-AT (Pair)**
BB-KF-AH-AT (*Bulk buy)

- D&D code: KF3ABL
- Powder coated black aluminium hinges
 - D&D patented tension adjustment - 6 tension settings, adjustable from both ends
 - Self closing hinge - closes gates up to 20kg
 - Internal stainless steel spring
 - Wall and post mounting hinges
 - Tested to over 300,000 cycles
 - Pool fencing compliant

*BULK BUY CARTON QTY: 16 PAIRS

POST TO GATE
INSTALLATION

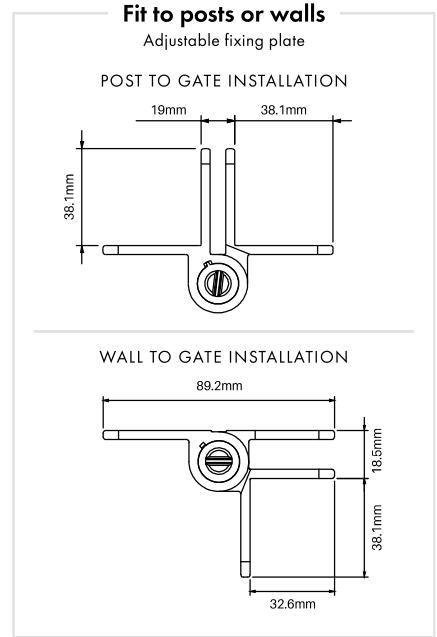


OR

WALL TO GATE
INSTALLATION



Wall to gate installation



12-35mm
gap spacing



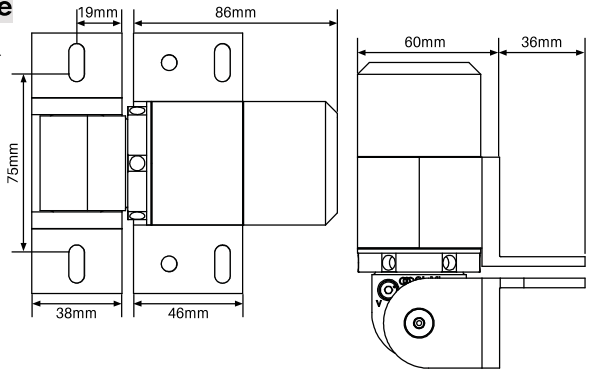
FIXING SCREWS SUPPLIED
MIN POST SIZE: 50MM

Sureclose – Readyfit hinge

HYDRAULIC HINGE CLOSER 2 ALIGNMENT LEGS

Order Code: **SURECLOSE-HH**
D&D Order Code: **74108313**

- Ideal for commercial/industrial applications
- Easy install - screw on externally mounted
- Self close gates up to 120kg
- Heavy duty, 50 micron black anodised aluminium
- Sold as SINGLE hinge
- SELF CLOSING FROM 83 degrees
- HOLES OPEN AT 90 deg to 180 deg
- MAX GATE OPENING 178 deg



TRADE TIP: Commonly a hydraulic closer hinge is installed on the bottom of the gate (SURECLOSE-HH) with the non self closing hinge at top of gate (SURECLOSE-NSC). For very heavy gates, 2 x closer hinges may be considered.

12-35mm
gap spacing



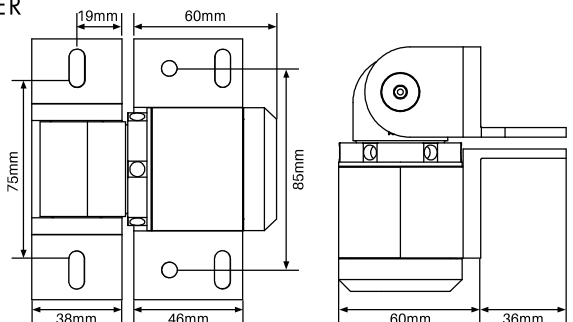
FIXING SCREWS SUPPLIED
MIN POST SIZE: 50MM

Sureclose – Readyfit hinge

NON SELF CLOSING CLOSER 2 ALIGNMENT LEGS

Order Code: **SURECLOSE-NSC**
D&D Order Code: **74001313**

- Ideal for commercial/industrial applications
- Easy install - screw on externally mounted
- NON SELF CLOSING hinge
- Heavy duty, 50 micron black anodised aluminium
- Sold as SINGLE hinge
- LOAD BEARING non self closing hinge
- MAX GATE OPENING 178 deg



Our range of gate latches

D&D latches available as single items or buy in carton lots for large bulk buy discounts



D LOKKLatch DELUXE

Lokk Latch® deluxe

KEYED ALIKE

Order Code: LL-DL-KA

D&D Code: LLDABS2LA



D LOKKLatch DELUXE

Lokk Latch® deluxe

KEYED TO DIFFER

Order Code: LL-DL

D&D Code: LLDABS2-L



D LOKKLatch

Lokk Latch®

KEYED TO DIFFER

Order Code: LLAA

D&D Code: LLAA



D LOKKLatch

Lokk Latch® external access kit

KEYED TO DIFFER

Order Code: LLB

D&D Code: LLB



D MAGNALatch

Top pull lockable latch

Order Code: ML-TL

D&D Code: ML3TPLA



D D&D Technologies
Hi-Performance Hardware

Face mount lockable latch

Order Code: MR-FMLS1

D&D Code: MLSPS2L



D D&D Technologies
Hi-Performance Hardware

T latch

Order Code: T-L

D&D Code: TL01



D latch

Order Code: SS-DL-B

GATE LATCHES

15-40mm
gap spacing

KEYED ALIKE



LOKK Latch DELUXE

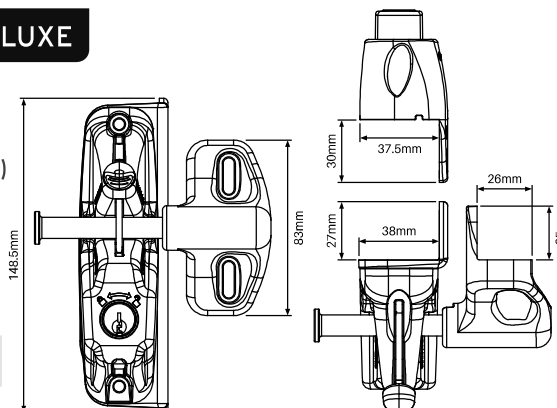
Lokk Latch® deluxe

Order Code: LL-DL-KA (Single)
BB-LL-DL-KA (*Bulk buy)

D&D code: LLDABS2LA

- Lockable from both sides of gate
- Locks are keyed alike
- Rekeyable, 6-pin security lock
- Fits up to 150mm deep posts
- Black polymer

*BULK BUY CARTON QTY: 20PCS



15-40mm
gap spacing

KEYED TO DIFFER



LOKK Latch DELUXE

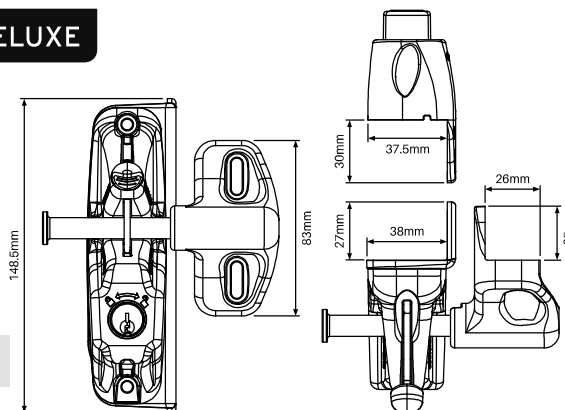
Lokk Latch® deluxe

Order Code: LL-DL (Single)
BB-LL-DL (*Bulk buy)

D&D code: LLDABS2-L

- Lockable from both sides of gate
- Locks are keyed to differ
- Rekeyable, 6-pin security lock
- Fits up to 150mm deep posts
- Black polymer

*BULK BUY CARTON QTY: 20PCS



15-40mm
gap spacing

KEYED TO DIFFER



LOKK Latch

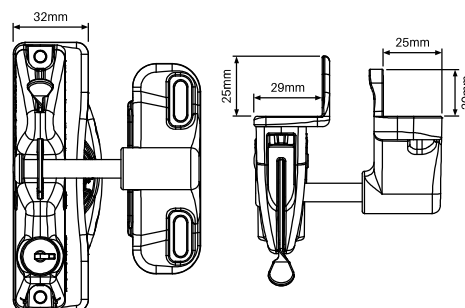
Lokk Latch®

Order Code: LLAA (Single)
BB-LLAA (*Bulk buy)

D&D code: LLAA

- Ideal latch for home and garden gates
- Key lockable - no need for padlocks or chains
- Fit with or without External Access Kit (LLB)
- Quick and easy to install on all gate materials
- Strong polymer design will not rust or stain
- Minimum post size for fitting - 25mm

*BULK BUY CARTON QTY: 20PCS



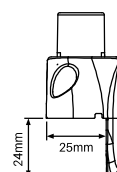
LOKK Latch

Lokk Latch® external access kit

Order Code: LLB (Single)
BB-LLB (*Bulk buy)

D&D code: LLB

- Optional extra external access kit
- Matches with LLAA
- Allows opening of LLAA from other side of gate
- NOTE: locking external access button does not lock the main latch



*BULK BUY CARTON QTY: 10PCS

GATE LATCHES

13-38mm
gap spacing



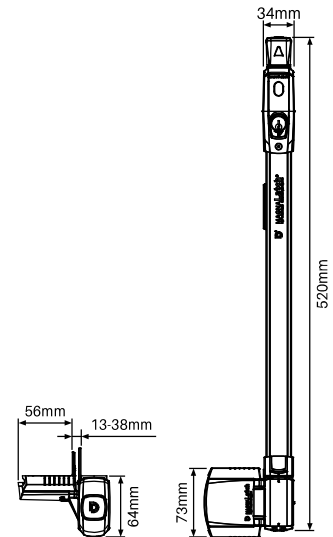
Top pull lockable latch

Order Code: **ML-TL (Single)**
BB-ML-TL (*Bulk buy)

D&D code: ML3TPLA

- Magnetically triggered lockable latch
- Improved stylish "Series 3" design
- Adjusts horizontally and vertically
- Includes adjustable striker plate
- D&D Limited lifetime warranty
- Quick and easy installation
- Tested to over 400,000 cycles

*BULK BUY CARTON QTY: 20PCS



8-10mm
gap spacing



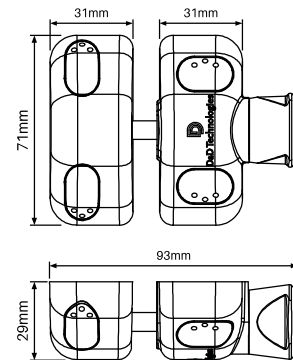
Face mount lockable latch

Order Code: **MR-FMLS (Single)**
BB-MR-FMLS (*Bulk buy)

D&D code: MLSP52L

- Suits retrofitting to previously fitted standard side pull latch installations
- Key lockable
- Adjusts horizontally and vertically
- Limited lifetime warranty
- Black polymer

*BULK BUY CARTON QTY: 10PCS



10-45mm
gap spacing



*Padlock not included



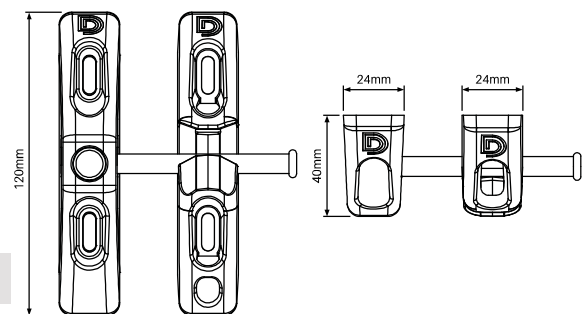
T latch

Order Code: **T-L (Single)**
BB-T-L (*Bulk buy)

D&D code: TL01

- Padlockable toggle latch
- Lockable from one side only

*BULK BUY CARTON QTY: 20PCS



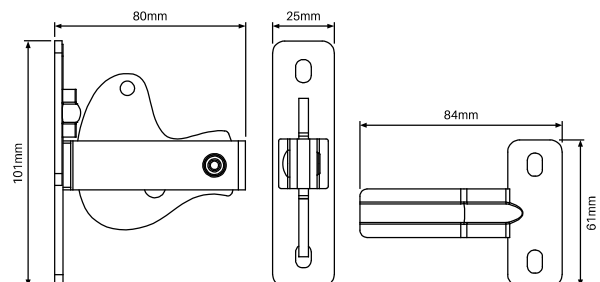
10-35mm
gap spacing



D latch

Order Code: **SS-DL-B**

- Easy to install D latch and striker
- Includes 4x tek screws
- Cost effective latching solution



GATE LATCH & HINGE KITS



Magna Latch® with Kwik Fit® hinge pair

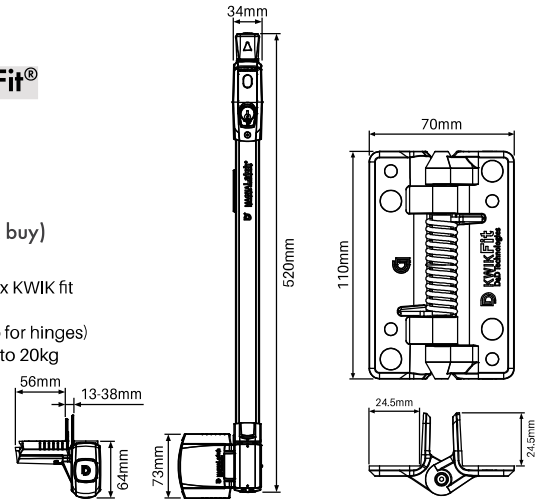
FIXED TENSION

Order Code: **ML-TL-KF-H-FT (Single)**
BB-ML-TL-KF-H-FT (*Bulk buy)

D&D code: ML3KF5K

- Kit includes D&D top pull Magna latch and 2x KWIK fit hinges (KF3S model)
- Self closing fixed tension hinges (20mm gap for hinges)
- Pool fencing compliant - Rated for gates up to 20kg
- Magnetically triggered lockable latch

*BULK BUY CARTON QTY: 20PCS



Magna Latch® with Tru Close® hinge pair

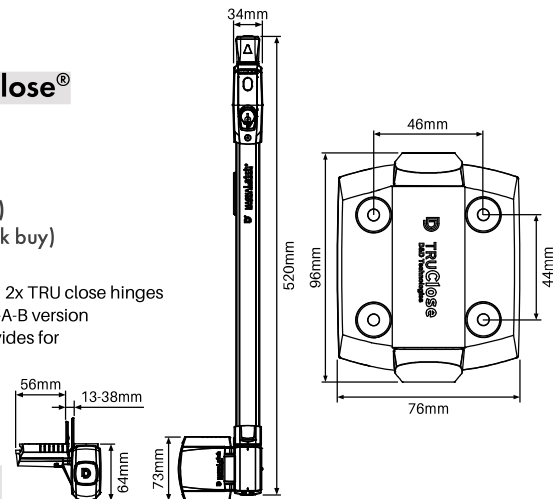
ADJUSTABLE TENSION

Order Code: **ML-TL-TC-H-AT (Single)**
BB-ML-TL-TC-H-AT (Bulk buy)

D&D code: MTSTDK53LA

- Kit includes D&D top pull Magna latch and 2x TRU close hinges
- Patented tension adjustable hinges (TC-H-A-B version hinges - no alignment legs on hinges provides for flexible installation)
- Pool fencing compliant - Rated to 25kg self close
- Magnetically triggered lockable latch

*BULK BUY CARTON QTY: 20PCS



Self drilling tek screws

12Gx20mm – BAG OF 100

Black, Woodland Grey, Monument, Primrose, Paperbark, Silver, Surfmist & White

Order Code: SS-TS-100

- Self drilling tek screw featuring integrated thread and drill/cutting tip
- 12G x 20mm tek screw with hex head
- Packed in convenient bags of 100 screws



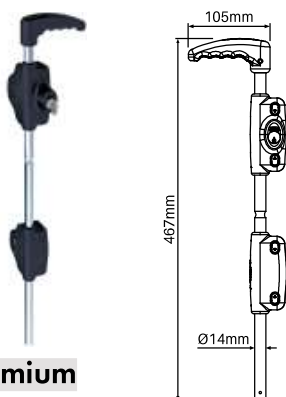
Soudal CA1400 Chemical anchor

280mL

Order Code: SOUD-CA1400

- High performance, two-component chemical anchoring resin for the pressure-free securing of anchoring rods, studs, threaded collars etc
- Fast cure
- Vinyl ester styrene free
- Can be used in damp concrete
- Apply with standard caulking gun

FENCING ACCESSORIES



D&D Premium lockable drop bolt

Black finish

Order Code: LB-PL (Single)
BB-LB-PL (*Bulk buy)

*BULK
BUY QTY:
10PCS

D&D code: LL118BX-LA

- 316 marine-grade stainless steel drop-bolt
- Tough polymer-housing mounting system
- 6-pin lock (rekeyable to match doors & gate locks)



D&D Padlockable drop bolt

Black finish

Order Code: QB124 (Single)
BB-QB124 (*Bulk buy)

*BULK
BUY QTY:
10PCS

D&D code: QB124

- Powder coated black, stainless steel drop-bolt
- Padlockable (*Padlock not included)
- Tough, moulded polymer mounting system



300mm drop bolt

Black or zinc plated finish

Order Code: SS-0300DB-B/ZP

- Ideal for driveway gates
- Cost effective drop bolt
- Easy to install



D&D Gate handle

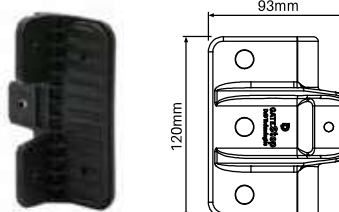
Black polymer finish

Order Code: LL-GH (Single)
BB-LL-GH (*Bulk buy)

*BULK
BUY QTY:
20PCS

D&D code: LL3GH

- Side-fixing legs for quick alignment
- Fits left-hand or right-hand opening gates
- Won't rust or stain: strong polymer construction



D&D Gate stop

Black polymer finish

Order Code: SS-GS (Single)
BB-SS-GS (*Bulk buy)

*BULK
BUY QTY:
10PCS

D&D code: TCGS3

- Ideal gate alignment device
- Prevents damage to latches & hinges
- Greatly reduces gate-slam noise
- Tough, durable polymer + rubber bumper



Now available in white!

Post plugs – 4 pack

Black or White finish

Order Code: SS-POSTPLUG-4PK
SS-POSTPLUG-4PK-W

- Ø32mm outer top suits 25mm hole
- Suits post wall thickness 1.5mm - 3.2mm
- Cap holes in posts when fixing posts to structures



Bostik V60 Clear glazing silicone

300g
Order Code: FB-V60

- Architectural grade high performance glazing silicone
- Neutral cure sealant specially formulated - skins quickly and provides long term performance
- Seals water tight - UV and weather resistant
- Compatible substrates glass, steel, timber, concrete, ceramic, fiberglass, aluminium (powder coated surfaces are limited)



Soudal heavy duty cartridge gun

Order Code: SOUD-GUN

- Heavy duty, steel trade quality cartridge gun
- Geared ratio 18:1 for smooth operation and easy application
- Dripless system feature automatically releases pressure to reduce mess/waste
- Suits 300ml silicone cartridges and 280ml chemical anchor



Soudal Epofix 82A

300g
Order Code: SOUD-EPOFIX

- 24ml bottle
- Translucent fast curing 2 part epoxy
- Very strong bonding of many types of materials including metal, wood, glass and plastics

Our range of white



AUSTRALIAN INDUSTRY FIRST



GENUINE D&D WHITE HARDWARE



D® **TRUClose**®

TruClose® hinge pair
2 ALIGNMENT LEGS
Order Code: TC-H-AT-2L-W



D® **TRUClose**® **HEAVY DUTY**

TruClose® hinge pair
Heavy duty
2 ALIGNMENT LEGS
Order Code: TC-H-AT-HD-2L-W



D® **KWIKFit**® **ALUMINIUM**

Kwik Fit® Aluminium
hinge pair
ADJUSTABLE TENSION
Order Code: KF-AH-AT-W



D® **LOKKLatch**®

Lokk Latch®
KEYED TO DIFFER
Order Code: LLA-A-W



D® **LOKKLatch**® **DELUXE**

Lokk Latch® deluxe
KEYED TO DIFFER
Order Code: LL-DL-W



D® **TRUClose**® **HEAVY DUTY**

D® **LOKKLatch**® **DELUXE**

Lokk latch deluxe &
TruClose heavy duty
hinge pair
HINGE & LATCH KIT
Order Code: LLDL-TCHD-W

21 mm
gap spacing

2
alignment legs



Two alignment legs on hinge allows for quick, easy and accurate positioning of gate onto post

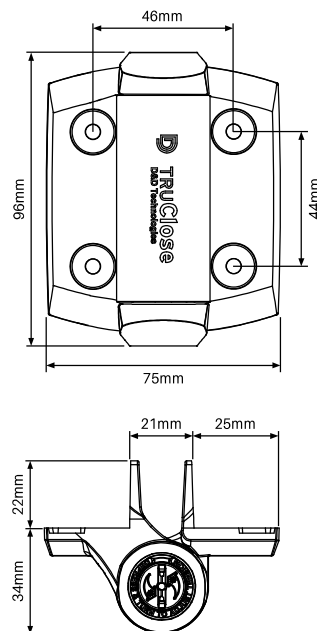


TruClose® hinge pair

2 ALIGNMENT LEGS

Order Code: TC-H-AT-2L-W (Pair)
BB-TC-H-AT-2L-W (Bulk Buy)

- D&D patented tension adjustment
- Strong, moulded polymer and stainless steel
- Adjust tension from both ends of the hinge
- No visible fixings
- Super strong engineering polymers and stainless steel components
- Won't rust, bind, sag or stain
- Limited lifetime warranty
- White polymer
- Pool fencing compliant - Rated for gates up to 30kg



21 mm
gap spacing

2
alignment legs



Two alignment legs on hinge allows for quick, easy and accurate positioning of gate onto post



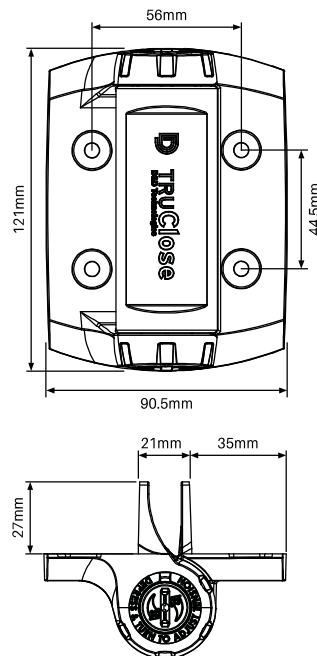
TruClose® hinge pair

Heavy duty

2 ALIGNMENT LEGS

Order Code: TC-H-AT-HD-2L-W (Pair)
BB-TC-H-AT-HD-2L-W (Bulk Buy)

- D&D patented tension adjustment
- Strong, moulded polymer and stainless steel
- Adjust tension from both ends of the hinge
- No visible fixings
- Super strong engineering polymers and stainless steel components
- Stylish and contemporary design
- Won't rust, bind, sag or stain!
- Limited lifetime warranty
- White polymer
- Pool fencing compliant - Rated for gates up to 70kg



19mm
gap spacing

Adjustable
tension

POST TO GATE
INSTALLATION



Kwik Fit® Aluminium hinge pair

ADJUSTABLE TENSION

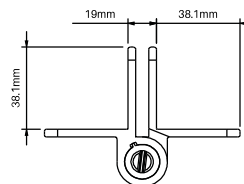
Order Code: KF-AH-AT-W (Pair)
BB-KF-AH-AT-W (Bulk Buy)

- Powder coated white aluminium hinges
- D&D patented tension adjustment - 6 tension settings, adjustable from both ends
- Self closing hinge - closes gates up to 20kg
- Internal stainless steel spring
- Wall or post mounting hinges
- Tested to over 300,000 cycles
- Pool fencing compliant

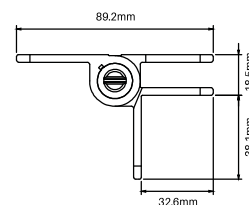
Fit to posts or walls

Adjustable fixing plate

POST TO GATE INSTALLATION



WALL TO GATE INSTALLATION



WHITE GATE LATCHES

15-40mm
gap spacing

KEYED TO DIFFER

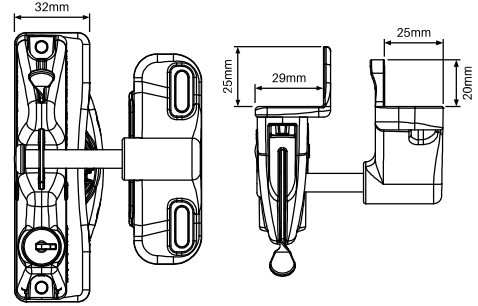


LOKK Latch

Lokk Latch®

Order Code: **LLAA-W**
BB-LLAA-W (Bulk Buy)

- Ideal latch for home and garden gates
- Key lockable – no need for padlocks or chains
- Quick and easy to install on all gate materials
- Strong polymer design will not rust or stain
- Minimum post size for fitting – 25mm
- White polymer



15-40mm
gap spacing

KEYED TO DIFFER

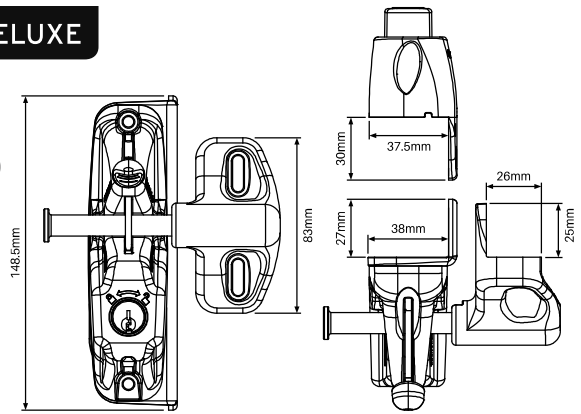


LOKK Latch DELUXE

Lokk Latch® deluxe

Order Code: **LL-DL-W**
BB-LL-DL-W (Bulk Buy)

- Lockable from both sides of gate
- Locks are keyed to differ
- Rekeyable, 6-pin security lock
- Fits up to 150mm deep posts
- White polymer



GATE LATCH & HINGE KIT

21mm hinge gap spacing
2 alignment legs



TRUclose HEAVY DUTY

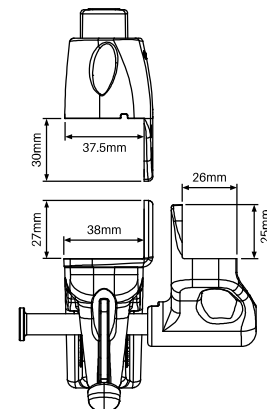
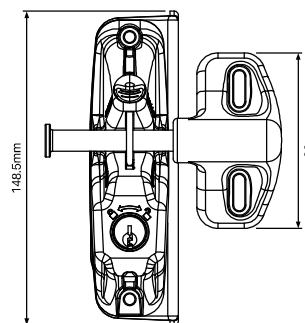
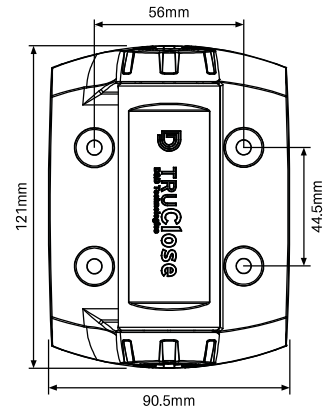
LOKK Latch DELUXE

Lokk latch deluxe & TruClose hinge pair
Heavy duty

HINGE & LATCH KIT

Order Code: **LLDL-TCHD-W**
BB-LLDL-TCHD-W (Bulk Buy)

- Kit includes D&D Lokk Latch Deluxe and 2x TRU close hinges heavy duty
- Pool fencing compliant - Rated to 70kg self close
- Latch is lockable from both sides of gate
- Ideal for aluminium screening & Hamptons gates
- White polymer



15-40mm latch gap spacing
+ keyed to differ

BLITZ GLASS

Aluminium Sliding Gates



www.blitzglass.com.au



(07) 5493 9779



admin@blitzglass.com.au

Sliding gate options

SELECT FROM A RANGE OF SLIDING GATE OPTIONS

We can cut to size, flat pack and send Australia wide or you can purchase long length extrusions and cut to size yourself

Assemble pre-powder coated sliding gates quickly and easily with no welding or riveting required

Save time and money without requirement of fully fabricating and welding

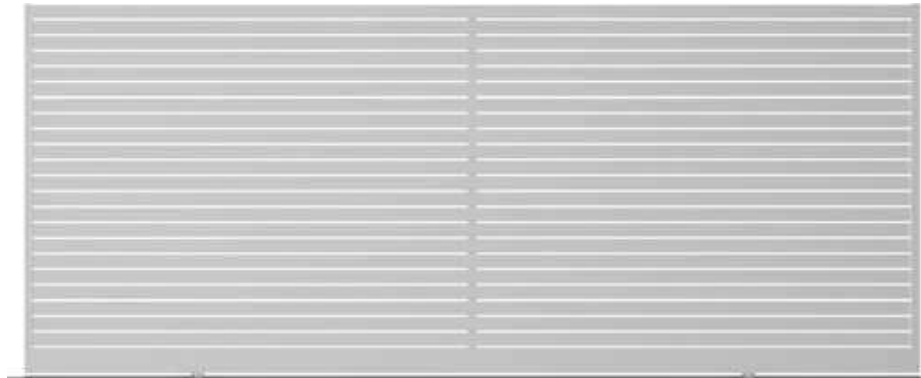
Contact us for detailed assembly instructions

1

Horizontal slat sliding gate

65mm x 16.5mm slats with
9mm or 20mm slat spacing

Patented 'no weld' gate side
frames for fast assembly



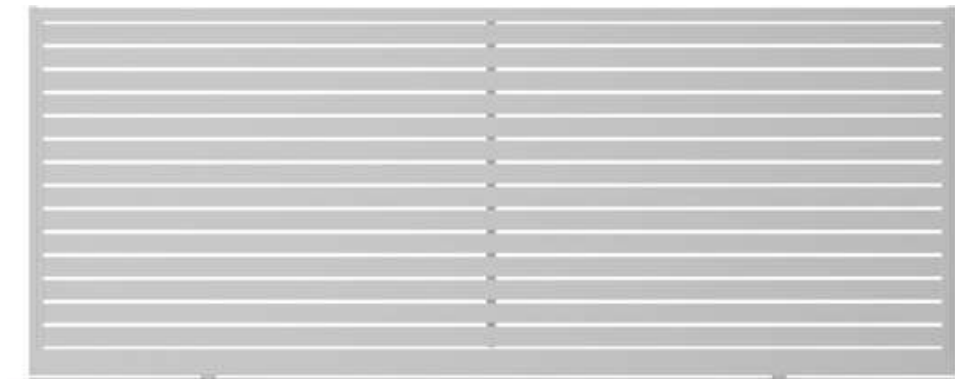
2

Horizontal slat sliding gate

65mm x 16.5mm or
90mm x 16.5mm slats

Variable slat spacing

Each slat required to be
screw fixed



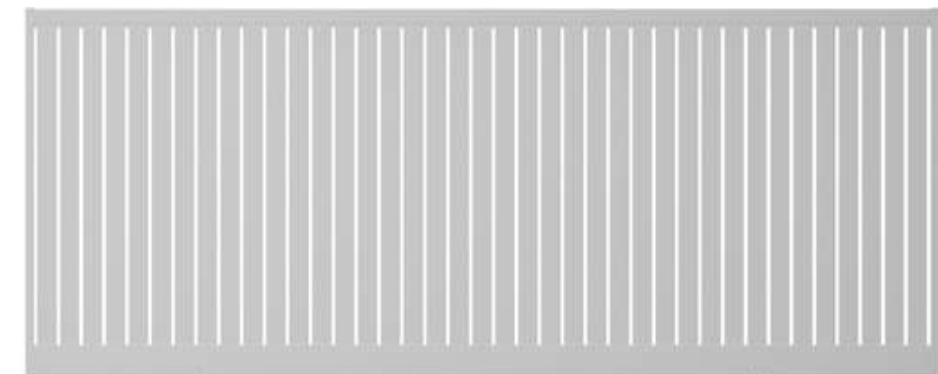
3

Vertical slat sliding gate

65mm x 16.5mm or
90mm x 16.5mm slats

Variable slat spacing

Each slat required to be
screw fixed

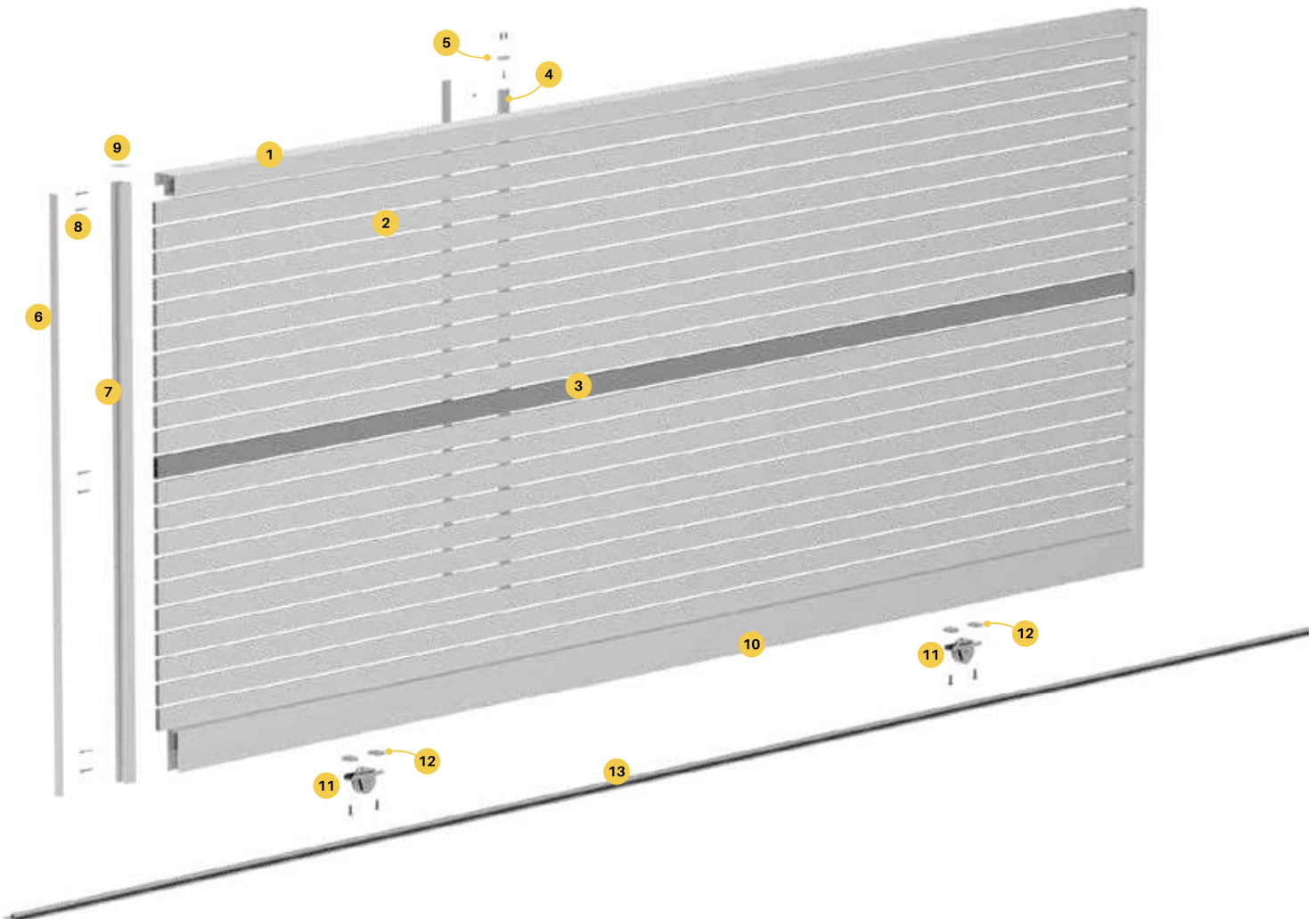


SLIDING GATE OPTIONS

Option 1

Horizontal slat sliding gate with 65mm x 16.5mm slats
9mm or 20mm slat spacing
Patented 'no weld' side frames

SEE PAGES 91-97 FOR FULL SPECIFICATIONS ON ALL PRODUCTS LISTED BELOW



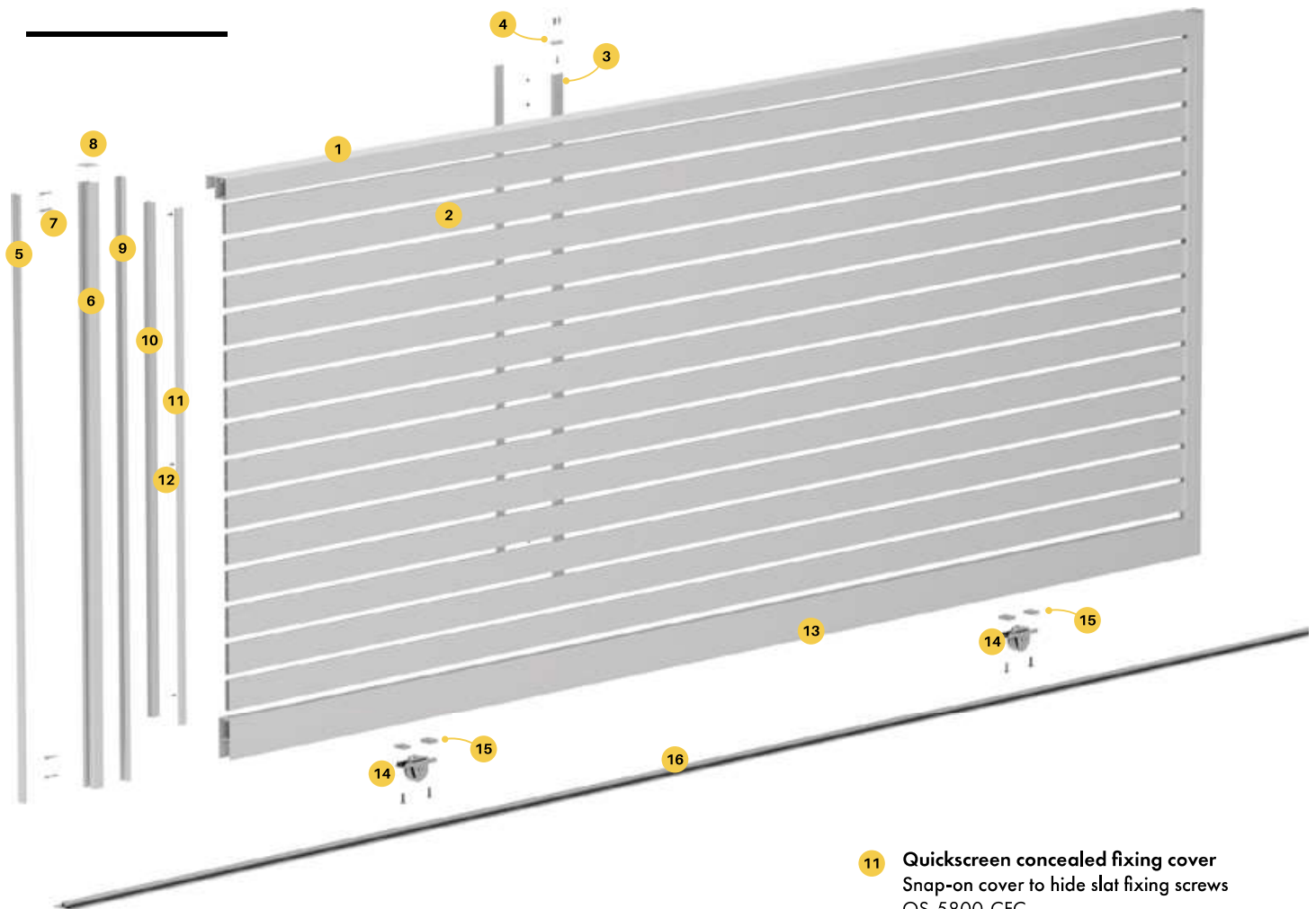
- 1 Top rail**
Rail includes innovative side channel for slide guide or roller guide integration
Screw fix to side frames
XPSG-6100-TR
- 2 65x16.5mm slat**
Standard slats held in place with patented friction fitting gate side frame
XP-6100-S65
- 3 65mm x 16.5mm gate slat with 2x screw flutes**
Screw fluted slat at middle of gate provides extra rigidity
XP-6100-GB65
- 4 Centre support rail**
Affixes to backside of gate slats
Screw fix each slat for extra support
Snap on cover hides all screws
XP-5800-CSR
- 5 Top/bottom plate for centre support rail**
Connects centre support rail to top and bottom rail for extra rigidity
XP-BTP
- 6 Gate insert**
Snaps into gate side frame to hide screw fixings
XP-4200-GI
- 7 Gate side frames**
Machined drill holes & slots
9mm or 20mm spacing
Suits 65x16.5mm slat
XP-4200-GSF09 or XP-4200-GSF20
- 8 Gate frame screws**
12 gauge x 65mm long with flange hex head
Heavy duty screw fixing of side frame to top/bottom rail and gate blade
XP-SCREWSGF-10PK
- 9 Gate frame cap**
Presses into top of gate frames
XP-GFC
- 10 Bottom Rail**
Bottom rail features underside cavity for easy wheel recess fitting
Screw fixes to side frames
XPSG-6100-BR
- 11 Sliding gate wheel**
80mm diameter wheel with 20mm diameter groove
XPSG-WHEEL
- 12 Wheel clamping set**
Clamps gate wheel to bottom rail
XPSG-WHEEL-CS
- 13 Gate track**
Bolt down track with 20mm diameter running surface – Steel or aluminium
Consider anchor pins to secure track
XPSG-3000/6000-TRACK-ST or XPSG-6000-TRACK-AL

SLIDING GATE OPTIONS

Option 2

Horizontal slat gate with 65mm or 90mm x 16.5mm slats
Variable slat spacing including nil spacing

SEE PAGES 91-97 FOR FULL SPECIFICATIONS ON ALL PRODUCTS LISTED BELOW



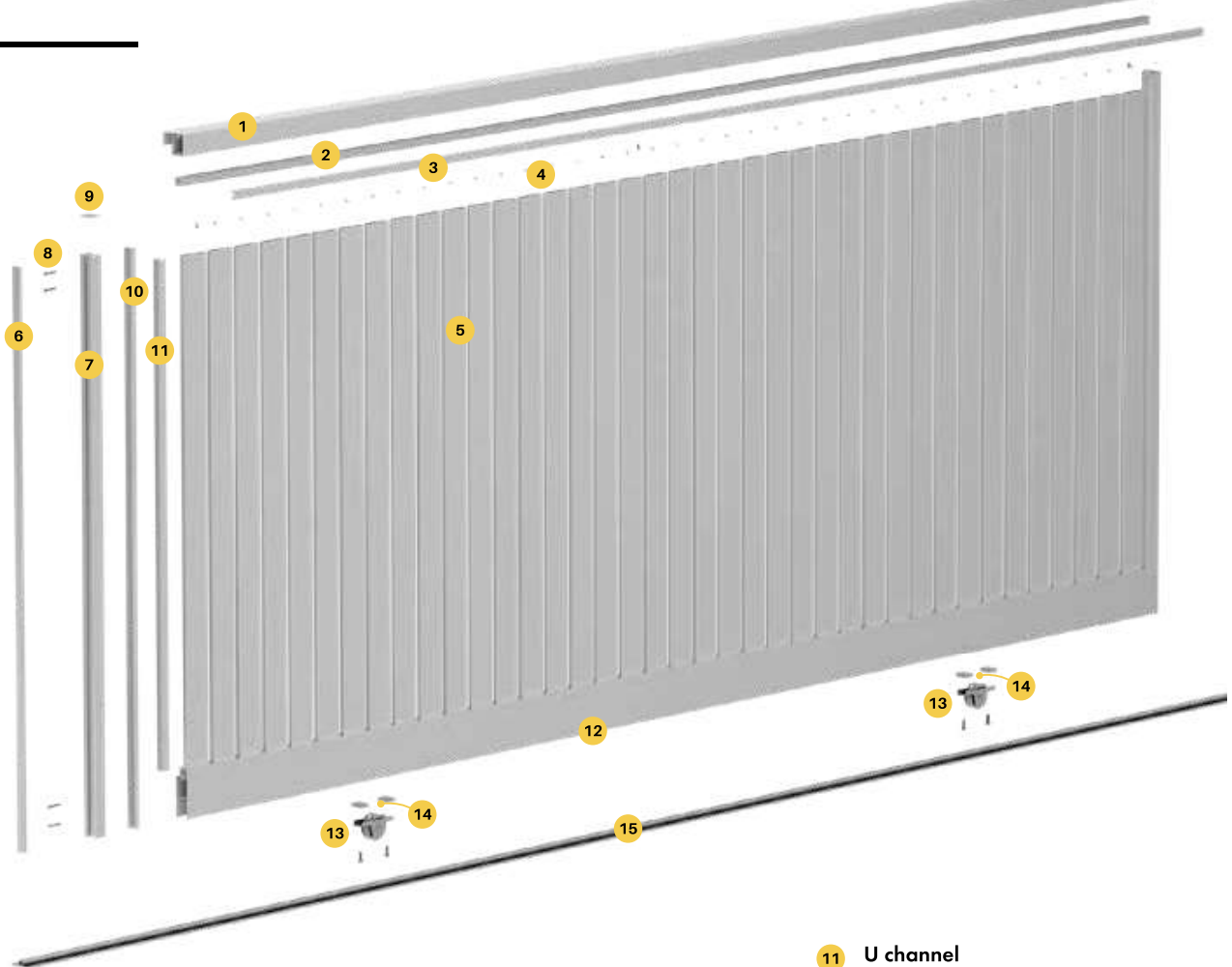
- 1 Top rail**
Rail includes innovative side channel for slide guide or roller guide integration
Screw fix to side frames
XPSG-6100-TR
- 2 65x16.5mm or 90x16.5mm slat**
Slats held in place with fixing screws
XP-6100-S65 / QS-6100-S90
- 3 Centre support rail**
Affixes to backside of gate slats
Screw fix each slat for extra support
Snap on cover hides all screws
XP-5800-CSR
- 4 Top/bottom plate for centre support rail**
Connects centre support rail to top and bottom rail for extra rigidity
XP-BTP
- 5 Gate insert**
Snaps into gate side frame to hide screw fixings
XP-4200-GI
- 6 Gate side frames**
Machined drill holes
XP-4200-GSF09 or XP-4200-GSF20
- 7 Gate frame screws**
12 gauge x 65mm long with flange hex head
Heavy duty screw fixing of side frame to top/bottom rail
XP-SCREWSGF-10PK
- 8 Gate frame cap**
Presses into top of gate frames
XP-GFC
- 9 Non-punched gate infill**
Replaces slotted infill from gate side frame
XP-XBAT-4200-INF
- 10 Quickscreen side frame**
Affix to inner face of gate side frame
Insert and screw off each slat
Variable slat spacing
QS-5800-SFC
- 11 Quickscreen concealed fixing cover**
Snap-on cover to hide slat fixing screws
QS-5800-CFC
- 12 Fixing screws**
Use to affix side frames and slats
All slats must be screw fixed to side frames
XP-SCREWS
- 13 Bottom Rail**
Bottom rail features underside cavity for easy wheel recess fitting
Screw fixes to side frames
XPSG-6100-BR
- 14 Sliding gate wheel**
80mm diameter wheel with 20mm diameter groove
XPSG-WHEEL
- 15 Wheel clamping set**
Clamps gate wheel to bottom rail
XPSG-WHEEL-CS
- 16 Gate track**
Bolt down track with 20mm diameter running surface – Steel or aluminium
Consider anchor pins to secure track
XPSG-3000/6000-TRACK-ST or XPSG-6000-TRACK-AL

SLIDING GATE OPTIONS

Option 3

Vertical slat gate with 65mm or 90mm x 16.5mm slats
Variable slat spacing including nil spacing

SEE PAGES 91-97 FOR FULL
SPECIFICATIONS ON ALL
PRODUCTS LISTED BELOW



- 1 Top rail**
Rail includes innovative side channel for slide guide or roller guide integration
Screw fix to side frames
XPSG-6100-TR
- 2 Quickscreen side frame**
Affix to inner face of top/bottom rails
Insert and screw off each slat – variable spacing
QS-5800-SFC
- 3 Quickscreen concealed fixing cover**
Snap-on cover to hide slat fixing screws
QS-5800-CFC
- 4 Fixing screws**
Use to affix side frames and slats
All slats must be screw fixed to side frames
XP-SCREWS
- 5 65x16.5mm or 90x16.5mm slat**
Slats held in place with fixing screws
XP-6100-S65 / QS-6100-S90

- 6 Gate insert**
Snaps into gate side frame to hide screw fixings
XP-4200-GI
- 7 Gate side frames**
Machined drill holes
XP-4200-GSF09 or XP-4200-GSF20
- 8 Gate frame screws**
12 gauge x 65mm long with flange hex head
Heavy duty screw fixing of side frames to top/bottom rail
XP-SCREWSGF-10PK
- 9 Gate frame cap**
Presses into top of gate frames
XP-GFC
- 10 Non-punched gate infill**
Replaces slotted infill from gate side frame
XP-XBAT-4200-INF

- 11 U channel**
Affix to vertical inner face of gate side frames. Reduces potential light gap on both vertical edges of gate
QS-5000-HORIZ
- 12 Bottom Rail**
Bottom rail features underside cavity for easy wheel recess fitting
Screw fixes to side frames
XPSG-6100-BR
- 13 Sliding gate wheel**
80mm diameter wheel with 20mm diameter groove
XPSG-WHEEL
- 14 Wheel clamping set**
Clamps gate wheel to bottom rail
XPSG-WHEEL-CS
- 15 Gate track**
Bolt down track with 20mm diameter running surface – Steel or aluminium
Consider anchor pins to secure track
XPSG-3000/6000-TRACK-ST or XPSG-6000-TRACK-AL

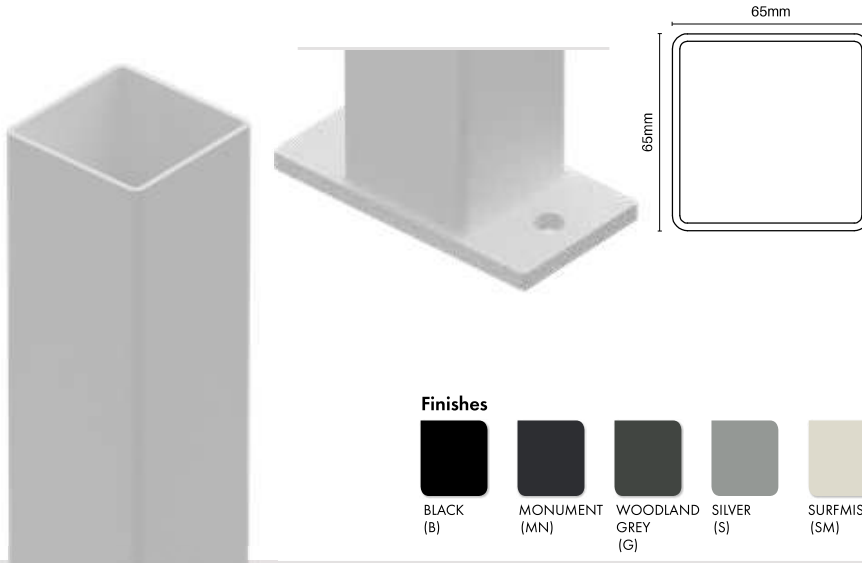
When calculating even spacing between vertical slats, overall gate width should be carefully considered to ensure first and last gap (between gate side frames and first/last slat) are kept uniform with other slat spacing

GUIDE POST & EXTENSION

65x65mm steel post

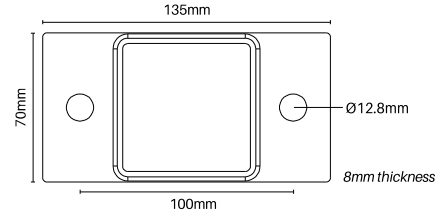
2700MM LONG

Order Code: XPSG-2700-ST65



TECH SPECS

- 65x65mm galvanised steel post
- Includes press in black cap
- 2.5mm wall thickness
- Use at gate end to affix guide rollers or slide guide
- May also be used at gate front for affixing U or F catch
- Includes press in black cap
- Includes welded on 8mm thick base plate with 2 x 12.8mm diam fixing holes - use for base plated post fixing or bury into concrete for superior anchoring



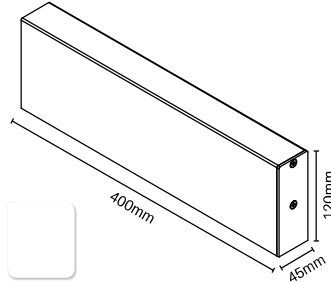
Finishes



Sliding gate extension

400MM LONG

Order Code: XPSG-MXTN-KIT



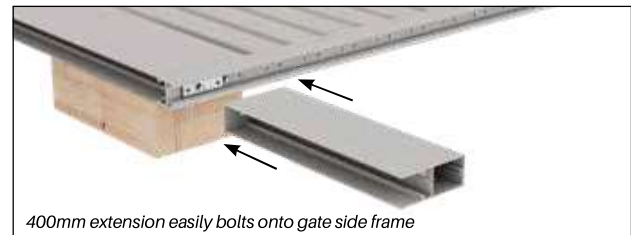
TECH SPECS

- 400mm long bottom rail extension
- Optional extra - useful where extra length required for motor rack to be affixed to bottom rail.
- Not required for every slide gate install. Recommended only where install situation requires
- Extension piece fixes to gate side frame
- Fixing bolts and plates included in kit

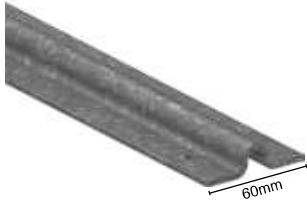
Finishes



Simply bolt onto bottom of gate side frame during assembly process



GATE ACCESSORIES

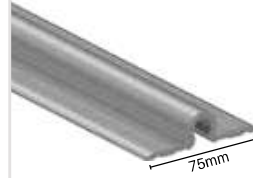


Steel sliding gate track

3000MM LONG OR
6000MM LONG

Order Codes:
XPSG-3000-TRACK-ST (3000mm)
XPSG-6000-TRACK-ST (6000mm)

- Available 3000mm or 6000mm long
- Made from 3mm galvanised steel for durability
- Bolt down sliding gate track with a Ø20mm running surface
- Easy to install with predrilled fixing holes (22 holes for 3000mm track and 42 holes for 6000mm track)



Aluminium sliding gate track

6000MM LONG

Order Code:
XPSG-6000-TRACK-AL (6000mm)

- Available 6000mm long
- Mill finish aluminium - 6063-T5
- Bolt down sliding gate track with a Ø20mm running surface
- No drill holes - drill fixing holes as needed



Sliding gate track pins

Order Code: XPSG-ANCHOR

- Mushroom head galvanised steel track anchor pins
- 6.5mm x 38mm
- Pre-expanded expansion anchor. Once hammered in, unique kinked shaft provides a spring action for vibration proof anchoring. Use 6.5mm masonry bit into concrete



Sliding gate wheel

Order Code: XPSG-WHEEL

- 80mm diameter with 20mm diameter groove
- Zinc plated steel
- Load rating 180kg
- Use with 1 x XPSG-WHEEL-CS clamping set to fix to sliding gate bottom rail
- Made in Italy



Sliding gate wheel clamping set

Order Code: XPSG-WHEEL-CS

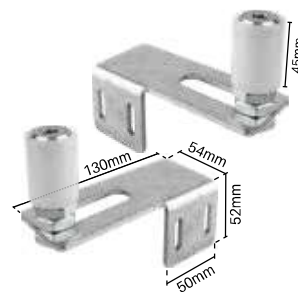
- Use to clamp sliding gate wheel to bottom rail
- Aluminium M8 threaded block
- Includes 2 x zinc plated screws
- Sold as a pack of 2 (suits 1 x wheel)



Slide guide

Order Code: XPSG-GUIDE

- Self-adjusting slide guide attaches to sliding gate top rail
- Keeps gate in vertical position and travelling true while opening/closing
- As gate travels along track and shifts up or down, slide guide adjusts automatically. Up to 280mm vertical adjustment.
- Guide channel is anodised black with sturdy nylon block



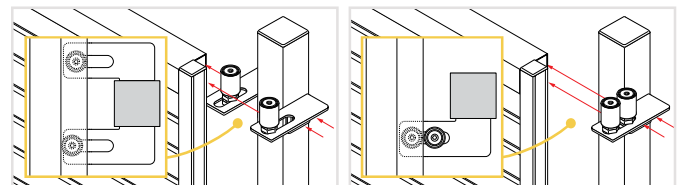
Sliding gate guide rollers

2 PACK

Order Code: XPSG-TOPROLL-2PK

- Alternative to SlideGuide
- Rollers guide top rail while gate opens and closes
- Can only be used if vertical deviation of gate while travelling is 15mm or less
- White nylon rollers - made in Italy
- Kit includes 1 x left and 1 x right zinc plated steel mounting bracket (fixings not included) - 30mm hole centers

2 installation methods —



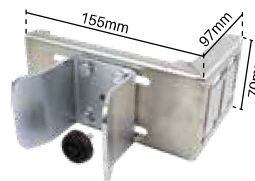
GATE ACCESSORIES



Gate U catch

Order Code: XPSG-CATCH-U

- Suits up to 50mm gate frames
- Gate catch supplied with 5 pre-drilled holes for easy installation and adjustment
- Rubber stop provided for noise reduction
- Steel zinc plated



Gate F catch

Order Code: XPSG-CATCH-F

- Suits up to 50mm gate frames
- Affix bracket to wall/post via "F" leg
- U catch attaches to F section - includes rubber stop for noise reduction
- U catch horizontally adjustable for ease of lining up to gate frame
- Steel zinc plated



Gate stop

Order Code: XPSG-STOP

- Stops the gate in the option position
- Forged steel zinc plated gate stop with nylon bumper
- Bolts to concrete at end of gate track. 4x Ø11mm fixing holes
- Made in Italy



MATES WITH XP-5800-CSR

Centre support rail top/bottom plate

Order Code: XP-BTP

- Aluminium with countersunk hole machining
- Use to brace off top and/or bottom of centre support rail to top and bottom rails
- Bracing centre support rail provides extra rigidity



Gate frame cap

NYLON

Black / Monument / Woodland Grey / Silver / Surfmist / White

Order Code: XP-GFC

- UV stabilised nylon - 3mm thick cap
- Available in 5 colours
- Suits gate side frame
- Press-in flat cap

Finishes



PACK OF 10 Gate frame screws

12Gx65MM HEX FLANGE HEAD

Order Code: XP-SCREWSGF-10PK

- Hex flange head for easy assembly
- Use to screw horizontal top & bottom rails to vertical side frames
- Also use to screw fix 'gate' slat to side frames for horizontal slat gates with 9mm or 20mm spacing (65x16.5mm slats)



Self drilling wafer screws

10Gx16MM - BAG OF 100

Black / Monument / Woodland Grey Silver / Surfmist / White / Basalt Dune / Mill finish

Order Code: XP-SCREWS

- 10G x 16mm self drilling wafer head zinc plated
- Powder coated heads for neat finish
- Use to: (1) Screw fix centre support rail to slats (2) Screw fix & brace off centre support rail top/bottom plate to top/bottom rail (3) Screw fix slats to side frames if required (4) Attach Quickscreen side frame to outer gate frame for gate options 2 & 3 (see pages 89-90)

Sliding gate motors

Your Smart Home
Nice Home

LONG TERM RELIABILITY

NiceHome automation and accessories are tested every day in the Nice laboratories according to strict criteria. To ensure compliance with the strictest safety requirements on the market, NiceHome guarantees the highest possible technological and quality standards.

PROFESSIONAL QUALITY

Designed and manufactured in Italy, NiceHome automation benefits from unique Italian know-how combining top performance with an essential style to adapt perfectly to the needs of your home.

To complement horizontal slat and vertical slat sliding gates, GO can supply the highest quality Italian made gate automation and accessories. NiceHome automation is a new upgrade to the well-known Mhouse range.



Filo 400 Pro Kit

Order Code: XPSG-FILO-400

KIT INCLUDES:

- 1 x Motor
- 2 x Remotes
- 1 x Pair of Photocells (safety device which prevents the gate from closing on pedestrians or vehicles)

- Sliding gate opener suits gates up to 6000mm wide and weighing up to 400kg
- Easy to install and simple programming steps
- Flexible short power cord pre-wired to motor
- Plugs into standard power point with 10 amp flat 3 pin plug
- Includes pinion (cog) that integrates with rack on gate

Low voltage cable option



External transformer

FILO 400 Pro Kit with split pack Features external transformer

Order Code: XPSG-FILO-400PRO-SP

- Same motor and accessories as FILO 400 except transformer is separated from motor
- External transformer converts 240V mains power to low voltage 24V
- Use 2 core x 2.5mm (double insulated) electrical cable to run from transformer to motor. CABLE SOLD SEPARATELY - can be purchased from electrical wholesaler or reputable hardware store
- Motor can be installed a maximum of 50 meters away from transformer 10 amp flat 3 pin plug
- Ideal where getting 240V mains power to gate motor is different. Simply run low voltage cable from transformer to gate motor.
- Refer www.easygate.com.au for technical assistance/manuals

KIT INCLUDES:

- 1 x Motor
- 2 x Remotes
- 1 x Pair of Photocells (safety device which prevents the gate from closing on pedestrians or vehicles)
- 1 x External transformer in weatherproof enclosure

MOTOR ACCESSORIES



Remote control

Order Code: XPSG-FILO-REMOTE

- Optional extra remote control to replace remotes in kit if broken or more remotes required (2x remotes included as standard with each motor kit)
- 5 channel remote able to control various gate functions (eg open only, close only, partial open etc)



Wireless keypad

Order Code: XPSG-FILO-WKP

- Optional wireless keypad for gate motor opening/closing
- PIN number control access
- Easy to affix to wall or post
- Runs on 2 x CR2430 lithium batteries



Solar power kit

Order Code: XPSG-FILO-SOLAR

- Solar power system designed for use with NiceHome motors
- System uses exclusively solar power to run automation without use of electrical mains power
- Provides continuous electrical energy. Ideal for sites where mains power is unavailable
- Includes photovoltaic panel (converts solar energy into electrical energy) and electric battery (for stored power, able to operate gate night and day)
- Attention must be paid to ensure panel positioned to receive full sunshine



Backup battery

Order Code: XPSG-FILO-BATTERY

- Optional battery provides backup power in the event of mains power failure
- Gate can be cycled multiple times under battery power (no. of cycles may vary due to gate size and site conditions)
- Backup battery is recharged under mains power



Rack

Order Code: XPSG-FILO-RACK

- Tough 8 durable nylon rack (with steel core)
- Affix to bottom rail of sliding gate
- 1 meter long sections; 6 fixing points
- Quieter than steel racks
- Made in Italy



TECHNICAL ASSISTANCE/MANUALS AND SUPPORT VIDEOS

www.easygate.com.au