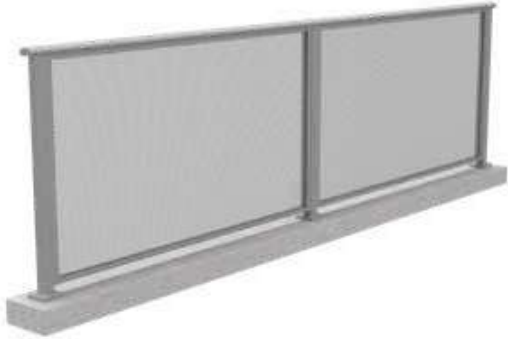
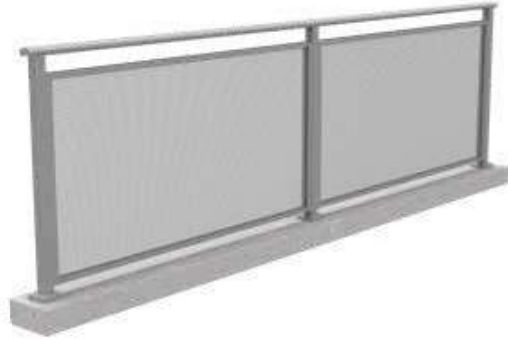




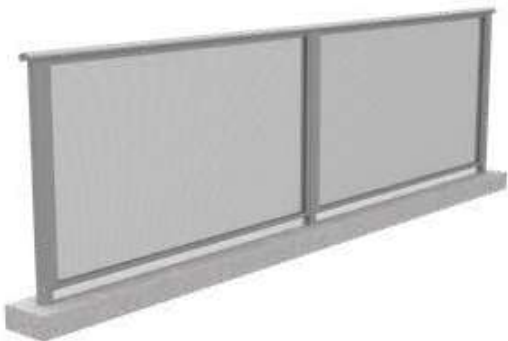
STYLES OF PREMIUM PERF BALUSTRADE



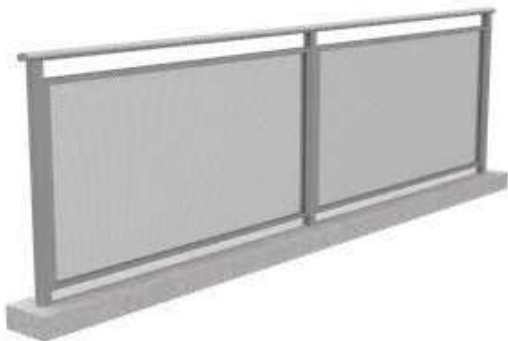
01 Perf Balustrade
Full perf panel with welded base plated posts



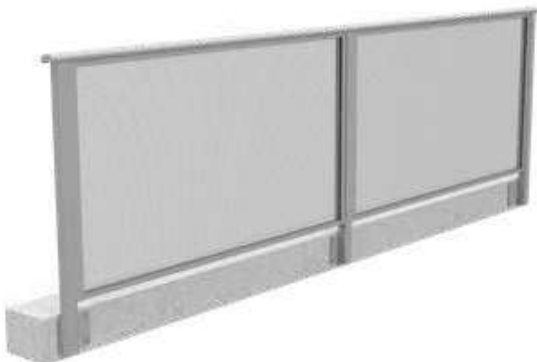
02 Perf Balustrade
Perf with visibility gap and welded base plated posts



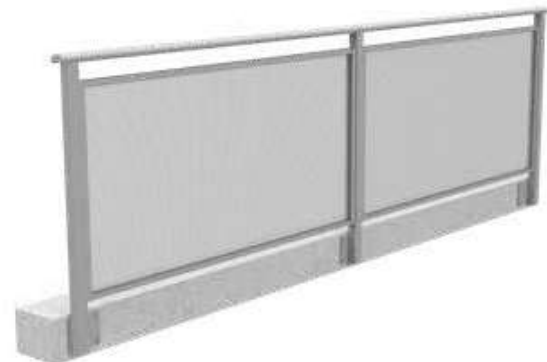
03 Perf Balustrade
Full perf panel with core drilled posts



04 Perf Balustrade
Perf with visibility gap and core drilled posts



05 Perf Face Mount
Full perf panel with face mount



06 Perf Face Mount
Perf with visibility gap with face mount



FINISHES

Our colour range

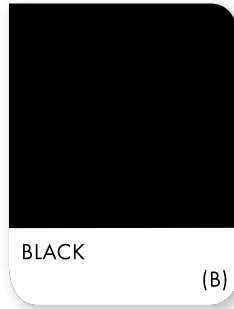
Premium Perf Balustrade is stocked in 2 popular powder coat finishes being Satin Black and Monument.

For Satin Black, posts and framing is Interpon Satin Black GN150A finish with the perforated infill panel being Textura black finish.

For Monument Matt posts and framing is Interpon Monument Matt GL229A finish with the perforated infill panel being Textura monument finish.

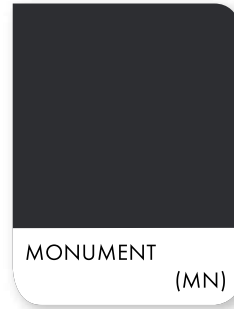
Genuine Akzo Nobel/Interpon powder is used with Interpon D1000 manufacturer warranties provided.

Extrusions are produced to the chemical composition, mechanical properties and dimensional tolerances of AS-NZS 1866-1997.



BLACK

(B)



MONUMENT

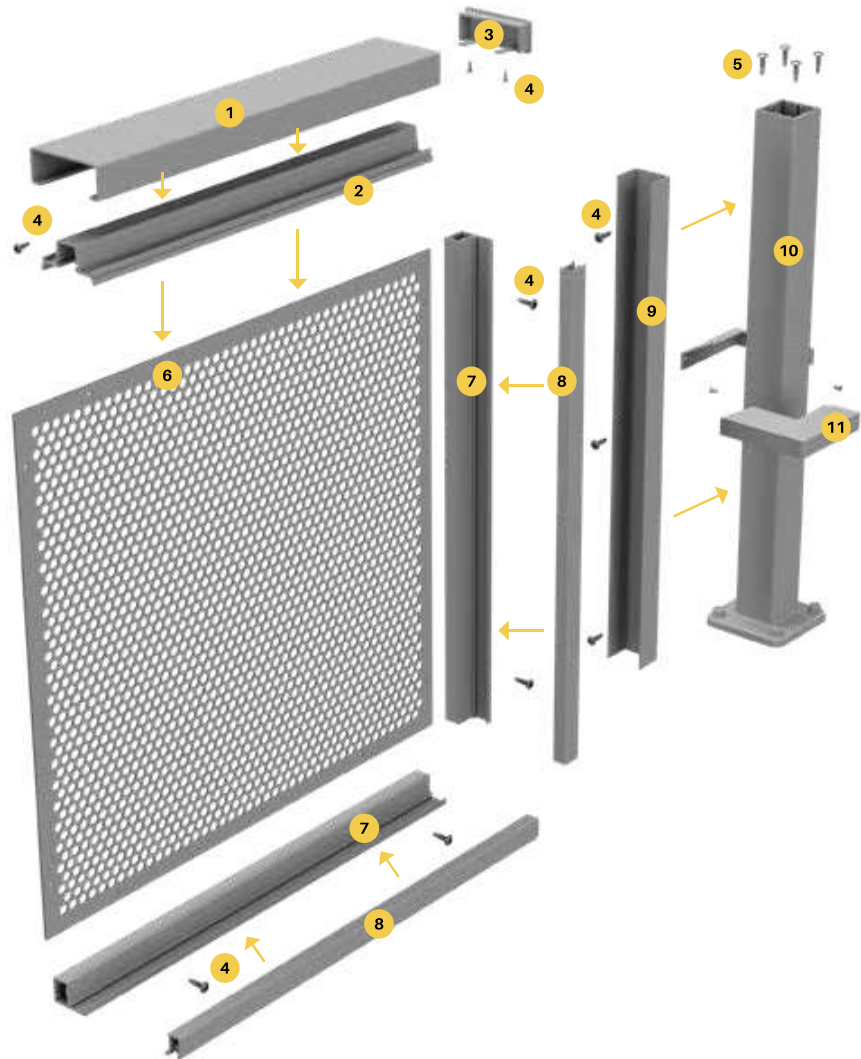
(MN)





PREMIUM PERF BALUSTRADE

- 1 **75x30mm top rail**
(available oval or rectangle profile)
- 2 **Undercapping rail**
- 3 **75x30mm end cap**
(available to suit oval or rectangle profile)
- 4 **10g x 16mm wafer SS304 screws**
(used for various fixing applications)
- 5 **12gx25mm screws for fixing undercapping to posts**
- 6 **Perforated infill panel**
- 7 **38x25mm framing for infill panel**
- 8 **Snap-bead to suit 38x25mm framing**
- 9 **U channel**
(into which 38x25mm frame fits inside)
- 10 **50x50 aluminium post**
(core drill, welded base plate or face mount posts)
- 11 **2 part domical cover**
(** if using base plated posts; use a dress ring if core drill post)





PREMIUM PERF BALUSTRADE

Full post with base plate (welded)

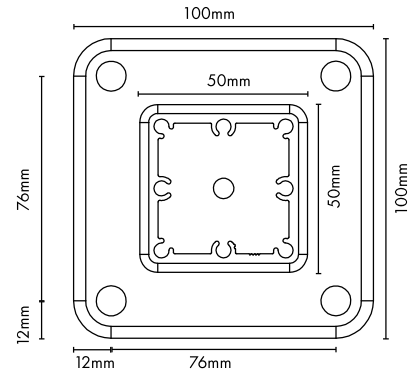
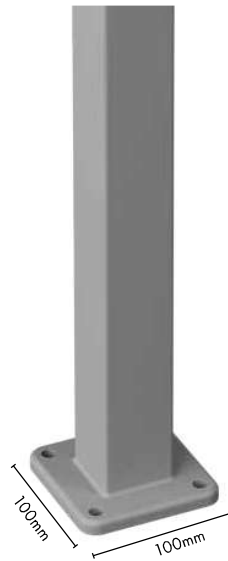
1050mm H

Satin Black or Monument Matt finish

Order Code: AR-1050-FPBP-B (Black)

AR-1050-FPBP-MN (Monument)

- Sturdy base plated post at 1050mm high overall
- Simply cut top of post to reduce height if needed
- Made from Alloy 6106 T6; premium & rigid alloy
- 3.2mm wall thickness post: 50x50mm profile
- 100x100mm base plate 10mm thick welded on; 4 x 11mm diameter fixing holes
- Screw flutes in extrusion allow non-weld affixing of top rail



FINISHES



BLACK

MONUMENT

5800mm long – Full post

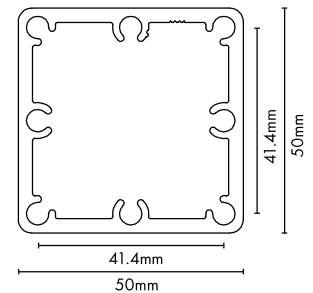
50x50x3.2mm

Satin Black or Monument Matt finish

Order Code: AR-5800-FP-B (Black)

AR-5800-FP-MN (Monument)

- 5800mm long post: suits core drill installation
Cut to required lengths
- Made from Alloy 6106 T6; premium & rigid alloy
- 3.2mm wall thickness post: 50x50mm profile
- Screw flutes in extrusion allow non-weld affixing of top rail



lxx = 214.10 x 10E3 mmE4
lyy = 214.28 x 10E3 mmE4

FINISHES



BLACK

MONUMENT

Half post

50x25x3mm

Satin Black or Monument Matt finish

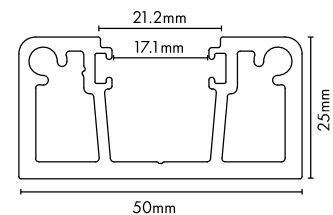
Order Code: A50-1400D-HALF-B (Black)

A50-1400D-HALF-MN (Monument)

A50-5800D-HALF-B (Black)

A50-5800D-HALF-MN (Monument)

- 50x25mm half post available at 1400mm or 5800mm long – easily cut to required length
- 3mm rear wall thickness
- Use at start or end of spans with half post fixed to a wall or existing post
- Screw fix off sideways to structure via recessed post cavity. Infill snaps into cavity to hide fixings
- Handrail undercapping rail screw fixes into the 2 x screw flutes in half post
- Made from alloy 6106 T6



lxx = 32.82 x 10E3 mmE4
lyy = 130.40 x 10E3 mmE4

FINISHES



BLACK

MONUMENT



PREMIUM PERF BALUSTRADE

Post infill

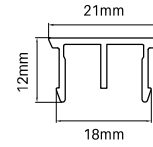
1400mm long

Satin Black or Monument Matt finish

Order Code: **A50-1400-INF-B (Black)**

A50-1400-INF-MN (Monument)

- Snap in infill mates with half post
- Easily cut infill to required post cavity length
- Infill covers half post screw fixings
- Made from alloy 6063 T6



FINISHES



STEP 1

Position half post against wall/post and screw fix. Pilot hole drilling required.



STEP 2

Recommended minimum of 3 x fixings to structure.



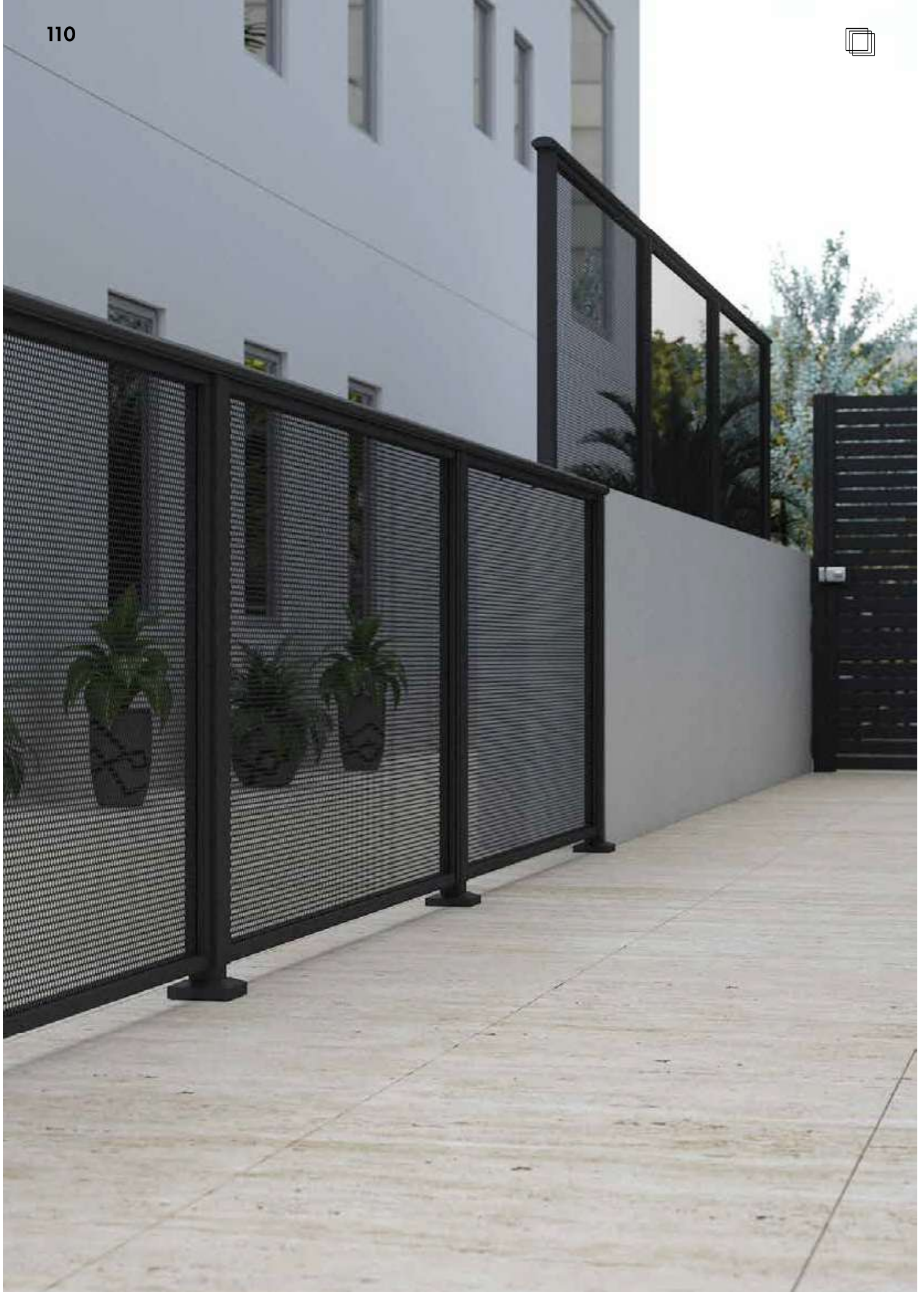
STEP 3

Snap infill into cavity to hide screw fixings.



STEP 4

Half post installed – Handrail undercapping screw fixes into 2 x screw flutes in top of half post.





PREMIUM PERF BALUSTRADE

Mid face mount post

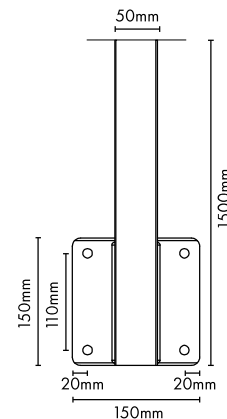
1500mm H

Satin Black or Monument Matt finish

Order Code: AR-1500-FMID-B (Black)

AR-1500-FMID-MN (Monument)

- 1500mm long face mount MID post
- Heavy duty 50x50mm aluminium profile: 4mm wall post thickness
- 150x150mm welded on plate: 10mm thick
- Made from alloy 6106T6; premium & rigid alloy
- 4 x 13mm diameter fixing holes
- Easily cut down height of post to required length



FINISHES



BLACK

MONUMENT



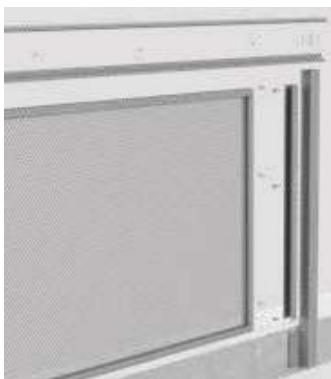
STEP 1

Install anchors ensuring alignment to post plate holes



STEP 2

Fix off with dome nuts if using threaded rod or lag screw anchors



STEP 3

Install perf panels & brackets



STEP 4

Finished installation

Face mount – 1 left & 1 right

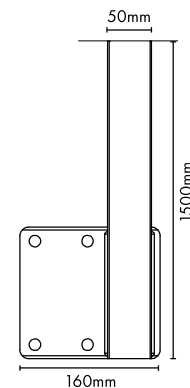
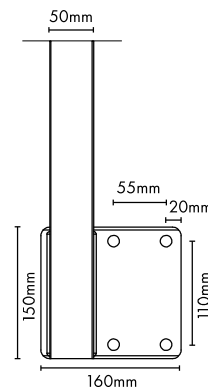
1500mm H

Satin Black or Monument Matt finish

Order Code: AR-1500-FMLR-B-2PK (Black)

AR-1500-FMLR-MN-2PK (Monument)

- 1500mm long face mount END posts - LEFT & RIGHT
- Heavy duty 50x50mm aluminium profile: 4mm wall post thickness
- 160mmWx150Hmm welded on offset plates: 10mm thick
- Made from alloy 6106T6; premium & rigid alloy
- 4 x 13mm diameter fixing holes
- Easily cut down height of post to required length
- Offset plates enable posts to be positioned at absolute ends of face mount installations
- Screw flutes in post extrusion allows for non-weld affixing of handrail
- Sold as a 2 pack (left & right)



FINISHES



BLACK

MONUMENT





PREMIUM PERF BALUSTRADE

5800mm rectangular handrail

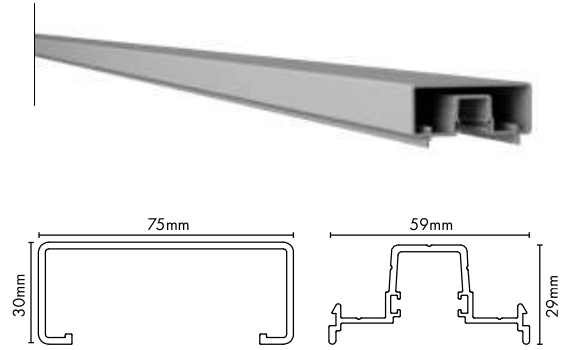
WITH CHANNEL INSERT

Satin Black or Monument Matt finish

Order Code: A50-5800-RHR-B (Black)

A50-5800-RHR-MN (Monument)

- 5800mm long 75x30mm rectangular profile
- Made from Alloy 6063 T6
- 2 part railing: (1) undercapping rail is screwed to top of post & (2) rectangular handrail is then snapped onto undercapping rail
- Easy to install



FINISHES



Oval handrail

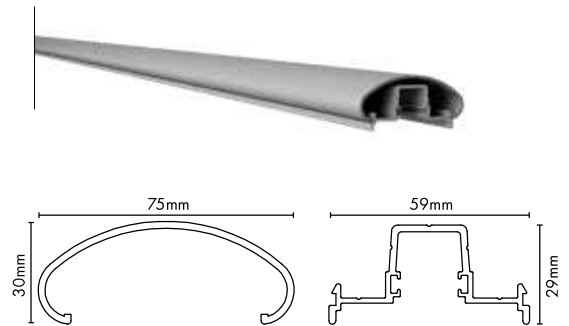
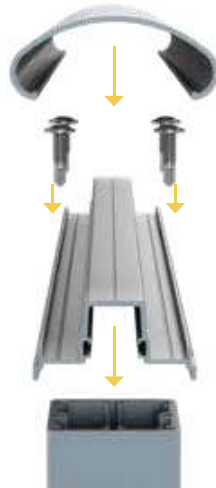
WITH CHANNEL INSERT

Satin Black or Monument Matt finish

Order Code: A50-5800-OHR-B (Black)

A50-5800-OHR-MN (Monument)

- 5800mm long 75x30mm oval profile
- Made from Alloy 6063 T6
- 2 part railing: (1) undercapping rail is screwed to top of post & (2) oval handrail is then snapped onto undercapping rail
- Easy to install



FINISHES





PREMIUM PERF BALUSTRADE

Premium Perf Balustrade 38x25mm

FRAMEKIT

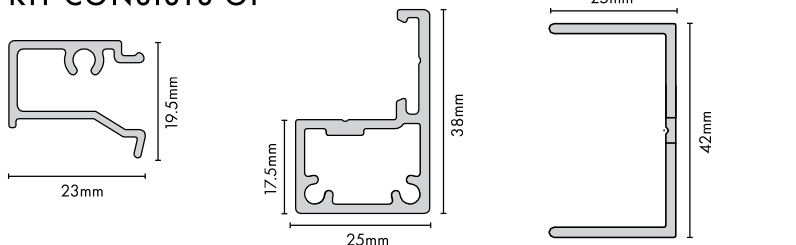
Satin black or Monument matt powder coat

Order Code: PP-BAL-FRAMEKIT-B/MN

- Kit frames perf balustrade infill panel
- 2 part frame design enables hidden screw fixing of perf infill sheet to frame. Fixing screws are covered by snap in cover.
- Finished frame profile is 38x25mm around the entire perimeter of infill sheet.
- Framed infill panel fits into U channel both sides. U channel is affixed to posts.
- Frame kit suits installation into 'daylight opening' width of 1750mm
- Frame kit is easily height and width adjustable. Simply cut to size.



KIT CONSISTS OF

- 
- 1) 2 x **1738mm** long horizontal snap in covers
2 x **949mm** long vertical snap in covers
 - 2) 2 x **1738mm** long horizontal frames
2 x **949mm** long vertical frames
 - 3) 2 x **1000mm** long U channels
*2mm wall thickness

**Wafer screws for fixing panel to frame sold separately. Refer code: PP-SCREW-B/MN-50PK

INNOVATIVE 2-PART FRAME



STEP 1

Place perf infill sheet against centre frame wall



STEP 2

Screw off sheet and snap in cover



STEP 3

Completed 38 x 25mm profile with hidden screw fixing

1400mm long aluminium infill /spacer

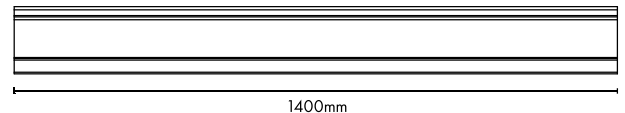
Satin Black or Monument Matt finish

Order Code: A50-1400-INF-B (Black)

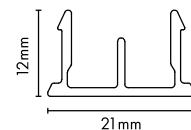
A50-1400-INF-MN (Monument)

For "3 rail installations", snap infill into uncapping rail void as there is a gap between the underside of capping rail and perf panels.

TIP: infill is 1400mm wide so if opening size is wider than 1400mm, 2 x infills are required and it is suggested to cut equally so the join is at midpoint of undercapping.



1400mm



12mm

21mm

FINISHES



BLACK

MONUMENT



PREMIUM PERF BALUSTRADE

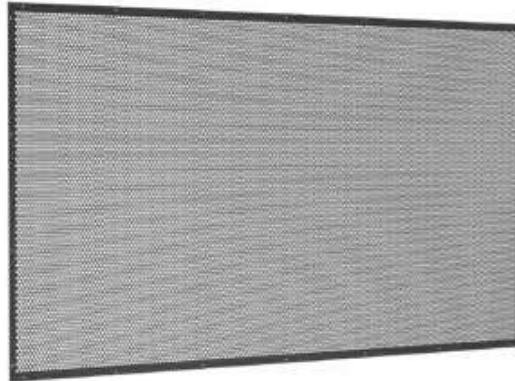
Premium Full Perf Balustrade Infill Sheet

1726mm W x 988mm H

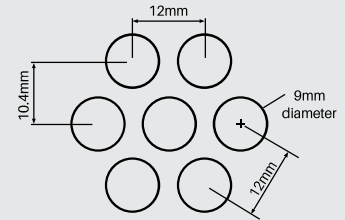
**Matt Black or Monument Matt Texture
Powder Coat**

Order Code: **PP-BAL-INFILL-B/MN**

- Premium marine grade alloy 5052 H32; 2.5mm thick
 - Akzo Nobel textured powder coat
 - 9mm diameter precision punched holes
 - Excellent visibility through punched panel; great alternative to glass
 - Minimal cleaning required + shatter proof
 - 20 x fixing screws are required per panel to fix to framing kit. If panel height/width adjusted, less screws may be required
 - Perimeter holes are prepunched at 325mm spacing around the sheet for ease of screw fixing to frame kit
 - With assembled framing, panel is 1738mmW x 1000mmH - framing sold separately. With U channels at sides, suits 'daylight opening' of 1750mm wide.
 - Height and width adjustable: simply cut to size. Refer 'fabrication overview' section
- TIP: Refer page 128-129 for detailed info on panel size adjustment.



Hole punch design ensures maximum visibility:



Rectangular end cap

ALUMINIUM

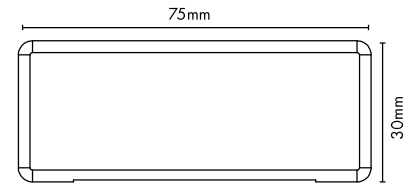
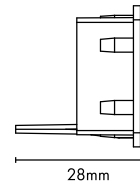
Suits 75x30mm rectangular handrail

Satin Black or Monument Matt finish

Order Code: **A50-ECA-R-B (Black)**

A50-ECA-R-MN (Monument)

- End cap made from aluminium die cast
- Suits 75x30mm rectangular handrail
- Features protruding fins at bottom so end cap may be mechanically fixed to undercapping rail using 10g x 16mm screws (sold separately PP-SCREW-B/MN-50PK)



FINISHES



BLACK

MONUMENT

Offset bracket

ALUMINIUM

2 PACK (1 LEFT & 1 RIGHT BRACKET)

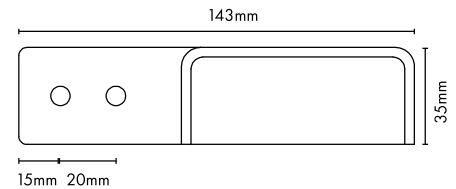
Suits 75x30mm rectangular handrail

Satin Black or Monument Matt finish

Order Code: **A50-BRACKET-R-B-2PK (Black)**

A50-BRACKET-R-MN-2PK (Monument)

- Offset bracket made from aluminium die cast
- Suits 75x30mm rectangular handrail
- Caps over top of handrail and features offset leg for fixing to wall/post
- Mechanically fix bracket to handrail by screwing through side of bracket into handrail
- 2 x 7mm diameter holes for fixing to post/wall
- Sold as a 2 pack - 1 x left and 1 x right bracket



FINISHES



BLACK

MONUMENT



PREMIUM PERF BALUSTRADE

Oval end cap

ALUMINIUM

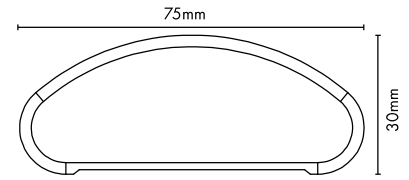
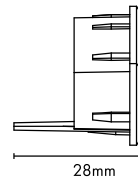
Suits oval handrail

Satin Black or Monument Matt finish

Order Code: **A50-ECA-O-B (Black)**

A50-ECA-O-MN (Monument)

- End cap made from aluminium die cast
- Suits 75x30mm oval handrail
- Features protruding fins at bottom so end cap may be mechanically fixed to undercapping rail using 10g x 16mm screws (sold separately PP-SCREW-B/MN-50PK)



FINISHES



BLACK MONUMENT

Offset bracket

ALUMINIUM

2 PACK (1 LEFT & 1 RIGHT BRACKET)

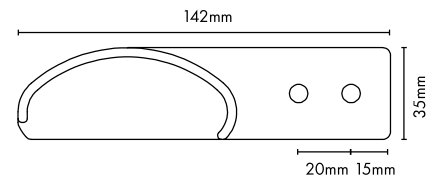
Suits oval handrail

Satin Black or Monument Matt finish

Order Code: **A50-BRACKET-O-B-2PK (Black)**

A50-BRACKET-O-MN-2PK (Monument)

- Offset bracket made from aluminium die cast
- Suits 75x30mm oval handrail
- Caps over top of handrail and features offset leg for fixing to wall/post
- Mechanically fix bracket to handrail by screwing through side of bracket into handrail
- 2 x 7mm diameter fixing holes to post/wall
- Sold as a 2 pack - 1 x left and 1 x right bracket



FINISHES



BLACK MONUMENT



STEP 1

Offset bracket caps over installed handrail.



STEP 2

Screw fix offset bracket to (1) handrail and (2) post/wall.



PREMIUM PERF BALUSTRADE

Wall Plate

ALUMINIUM

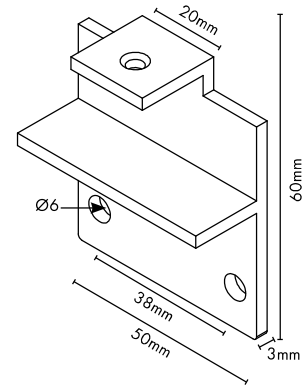
Suits oval & rectangular handrail

Satin Black or Monument finish

Order Code: A50-WP-B (Black)

A50-WP-MN (Monument)

- Affixes internally to undercapping rail with only the bottom section visible – provides a slimline finish
- Affix to undercapping rail firstly and then affix to wall. Oval or rectangular handrail snaps over the undercapping rail with wall plate.

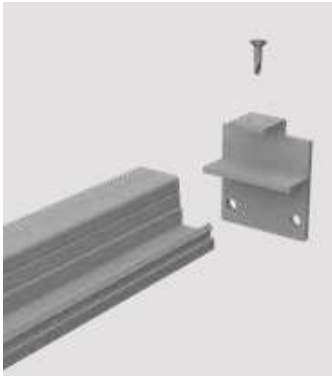


FINISHES



BLACK

MONUMENT



STEP 1

Countersink the top hole of the wall plate. Insert wall plate onto undercapping rail and fix off through hole located on top of wall plate using a countersunk screw (not supplied).



STEP 2

Screw fix undercapping rail to post via 4 x screw flutes in corners of posts. Ensure wall plate neatly fits against wall/post. Use 12gx25mm panhead screw. (refer stock code AR-SCR-BR)



STEP 3

Affix wall plate to wall/post using 2 x screws. Use suitable screws to fix having regard to structure.



STEP 4

Clip on oval or rectangular handrail onto undercapping rail. Wall plate is hidden except for bottom section.

Two part domical cover

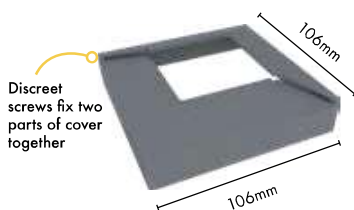
POWDER COATED ALUMINIUM

Black, Monument

Order Code: XP-DC-2P-B (Black)

XP-DC-2P-MN (Monument)

- Suits 50x50mm post with 100x100mm base plate
- 106x106mm outer - 52x52mm inner - Alloy ADC12
- Cover can be fitted to posts after balustrade posts are installed



Post dress rings

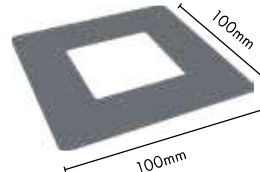
POWDER COATED ALUMINIUM

Black, Monument

Order Code: XP-DR-B (Black)

XP-DR-MN (Monument)

- Suits 50x50mm core drill posts
- 100mm x 100mm outer - 52mm x 52mm inner





PREMIUM PERF BALUSTRADE

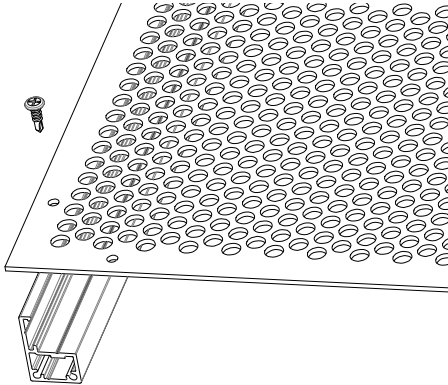
Self drilling wafer screws

10Gx16mm – BAG OF 50

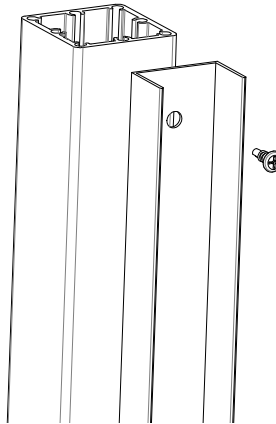
Satin black or Monument heads

Order Code: PP-SCREW-B/MN-50PK

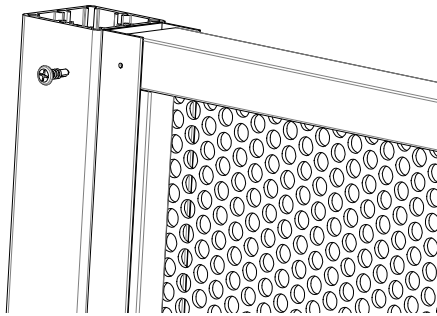
- Bags of 50 - 10G x 16mm self drilling wafer SS304 screw
- Powder coated heads for neat finish
- Used for a variety of applications:



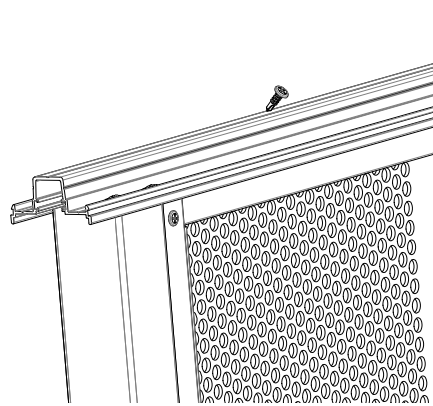
1) Fixes perforated infill sheet to framing kit



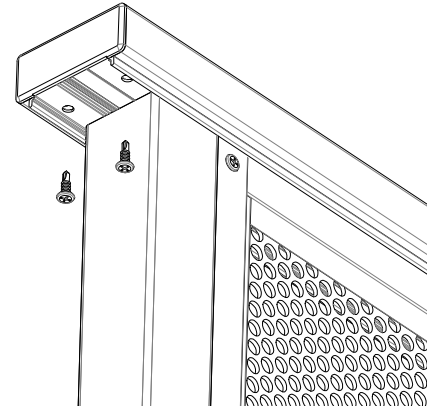
2) Fixes U channels to aluminium 50x50mm posts



3) Fixes together framing kit vertical sides and U channel



4) Fixes undercapping rail to framing kit



5) Fixes end cap to undercapping rail

12g x 25mm panhead screw with square drive head

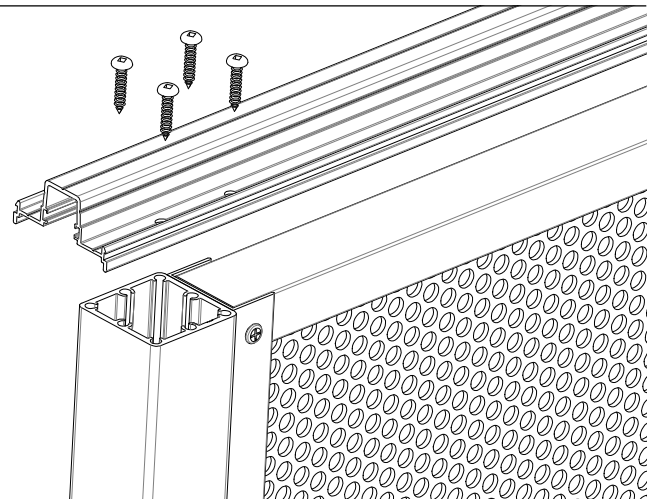
SS304HC

PACK OF 50

Mill

Order Code: AR-SCR-BR-50PK

- SS304 panhead screw 12gx25mm with square drive head
- Use for fixing of undercapping rail to top of post. Screws are hidden by snap on rectangular or oval rail.





PREMIUM PERF BALUSTRADE

Driver bit

- Order Code: DB-PH3
- Driver bit to suit Phillips #3 screw head



Square head driver bit

- Order Code: DB-SQ3.4
- Driver bit to suit 3.4mm square screw head hole
 - Suits AR-SCR-BR-50PK screws



Touch Up Paint

- 150g SPRAY CAN
- Black or Monument finish**
- Order Code: PAINT-B (Black)
PAINT-MN (Monument)
- Colour match touch up paint



M10 Timber fixing kit

- 4 PACK – SS316
- Order Code: S-110LAG-4PK
- M10 x 110mm timber lag screws x4 with nuts and washers
 - Hex drive head in screw



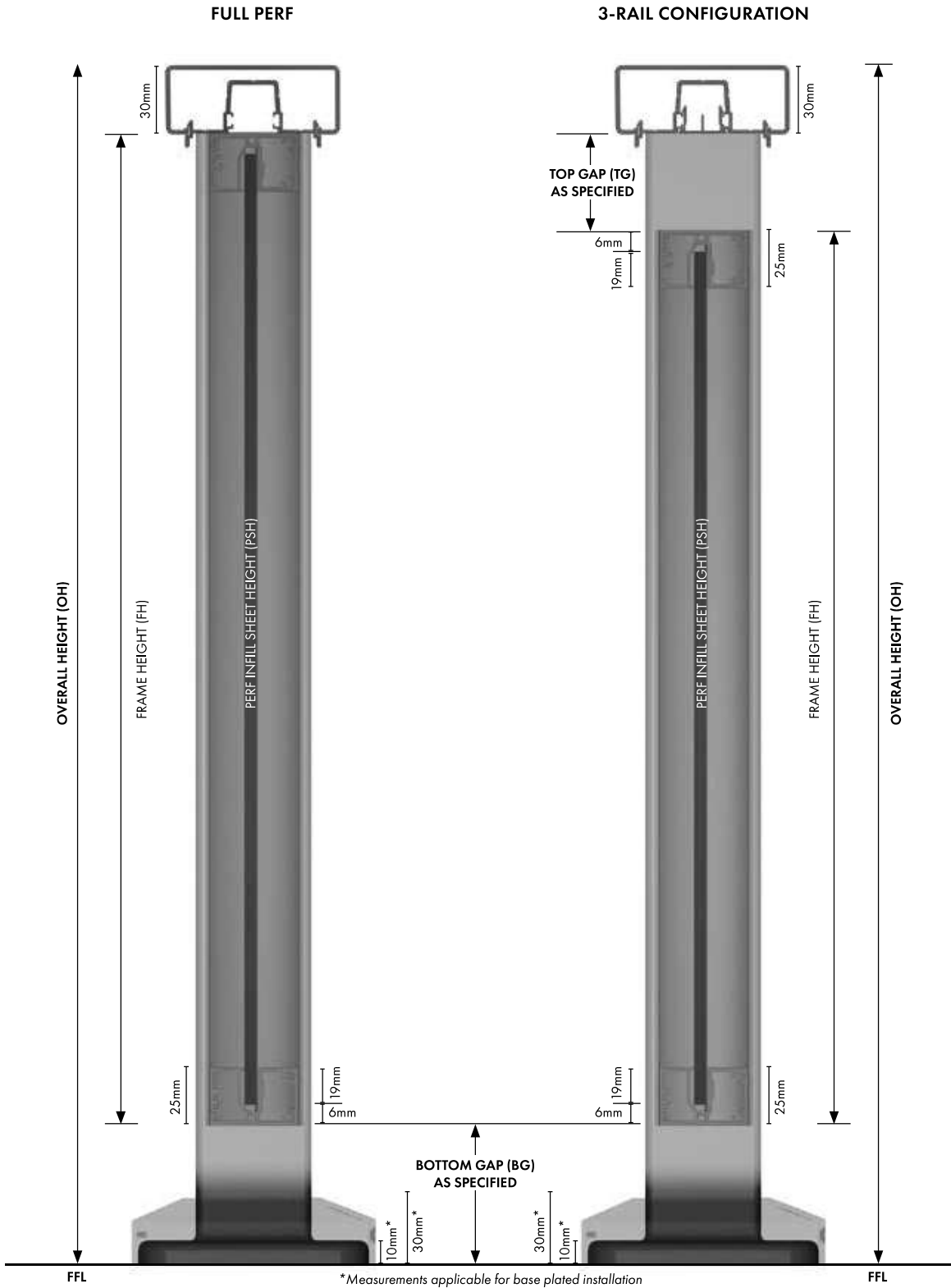
M10 Concrete fixing kit

- 4 PACK – SS316
- Order Code: S-120ROD-4PK
- M10 x 120mm concrete threaded rods x4 with nuts and washers
 - Adhere into concrete with suitable chemical anchor





FABRICATION OVERVIEW



FRAME HEIGHT (FH) =
Overall Height (OH) – Bottom Gap (BG) – 30mm

PERF INFILL SHEET HEIGHT (PSH) =
Frame Height (FH) – 12mm

FRAME HEIGHT (FH) =
Overall Height (OH) – Bottom Gap (BG) – Top Gap (TG) – 30mm

PERF INFILL SHEET HEIGHT (PSH) =
Frame Height (FH) – 12mm



NOTE – Select finish code:
(EG AR-1050-FPBP-B for black)




ORDER CODES



Order Code	Description	Colours
AR-1050-FPBP-B/MN	1050mm high – 50x50mm post with weld on 100x100mm base plate	 
AR-5800-FP-B/MN	5800mm long – 50x50mmx3.2mm full post	 
AR-1500-FMID-B/MN	1500mm long – 50x50x4mm MID post with welded on 150x150 face mounting plate	 
AR-1500-FMLR-B/MN-2PK	1500mm long – 50x50x4mm END posts with welded on 160x150 face mounting plates – LEFT & RIGHT	 
A50-1400D-HALF-B/MN	1400mm long – 50x25x3mm half post	 
A50-5800D-HALF-B/MN	5800mm long – 50x25x3mm half post	 
A50-1400-INF-B/MN	1400mm long – 21x12mm infill	 
A50-5800-RHR-B/MN	5800mm long rectangular handrail with undercapping rail	 
A50-5800-OHR-B/MN	5800mm long oval handrail with undercapping rail	 
PP-BAL-INFILL-B/MN	1726mm wide x 988mm perforated infill panel	 
PP-BAL-FRAMEKIT-B/MN	38x25mm 2 part frame kit (includes complete panel frame & U channel)	 
A50-ECA-R-B/MN	75 x 30mm rectangular end cap	 
A50-BRACKET-R-B/MN-2PK	143 x 35mm rectangular handrail offset bracket	 
A50-ECA-O-B/MN	75 x 30mm oval end cap	 
A50-BRACKET-O-B/MN-2PK	142 x 35mm oval handrail offset bracket	 
A50-WP-B/MN	Wall plate (attaches to undercapping rail)	 
XP-DC-2P-B/MN	106 x 106mm two part domical cover	 
XP-DR-B/MN	100 x 100mm dress ring	 
PP-SCREW-B/MN	10gx16mm self drilling wafer screw – 50 pack	 
AR-SCR-BR-50PK	12g x 25mm panhead screw with square drive head – 50 pack	
S-110LAG-4PK	M10 x 110mm long timber lag screw – 4 pack	
S-120ROD-4PK	M10 x 120mm thread rod with nuts/washers – 4 pack	
DB-PH3	Phillips #3 driver bit	
DB-SQ3.4	Square head driver bit	
PAINT-B/MN	Touch up paint	 

FREE, EASY TO USE ESTIMATOR. EXCEL FORMAT. CONTACT US AND WE WILL EMAIL TO YOU!

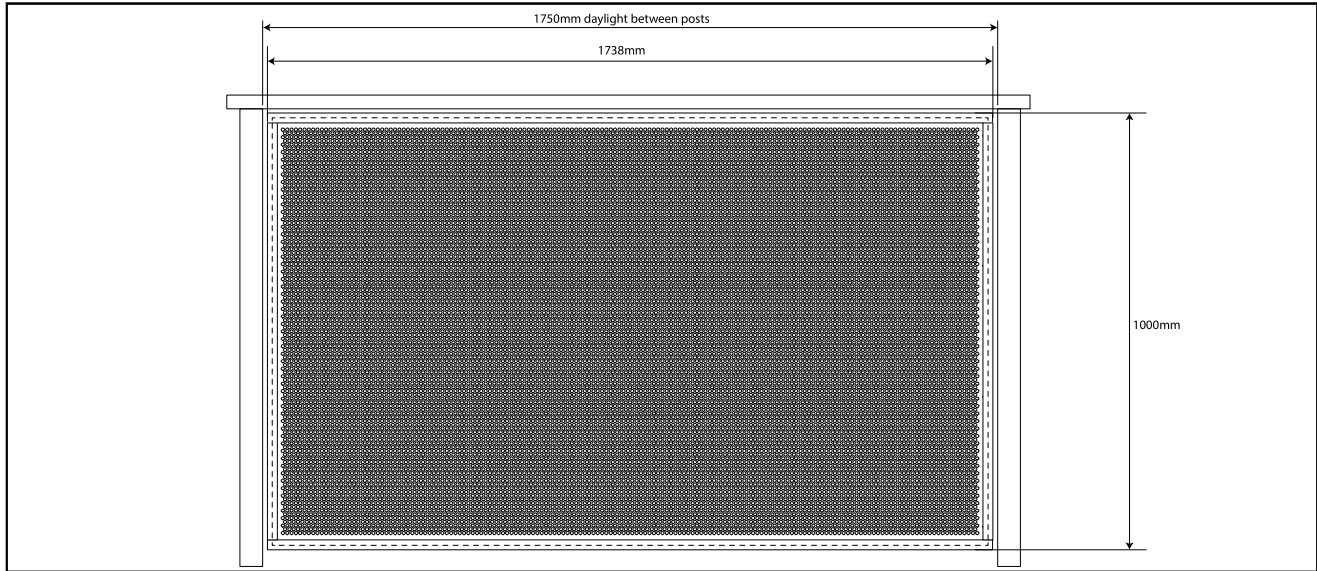


-  Quickly & accurately cost jobs
-  Instant specification of materials list
-  Take the time & hassle out of quoting

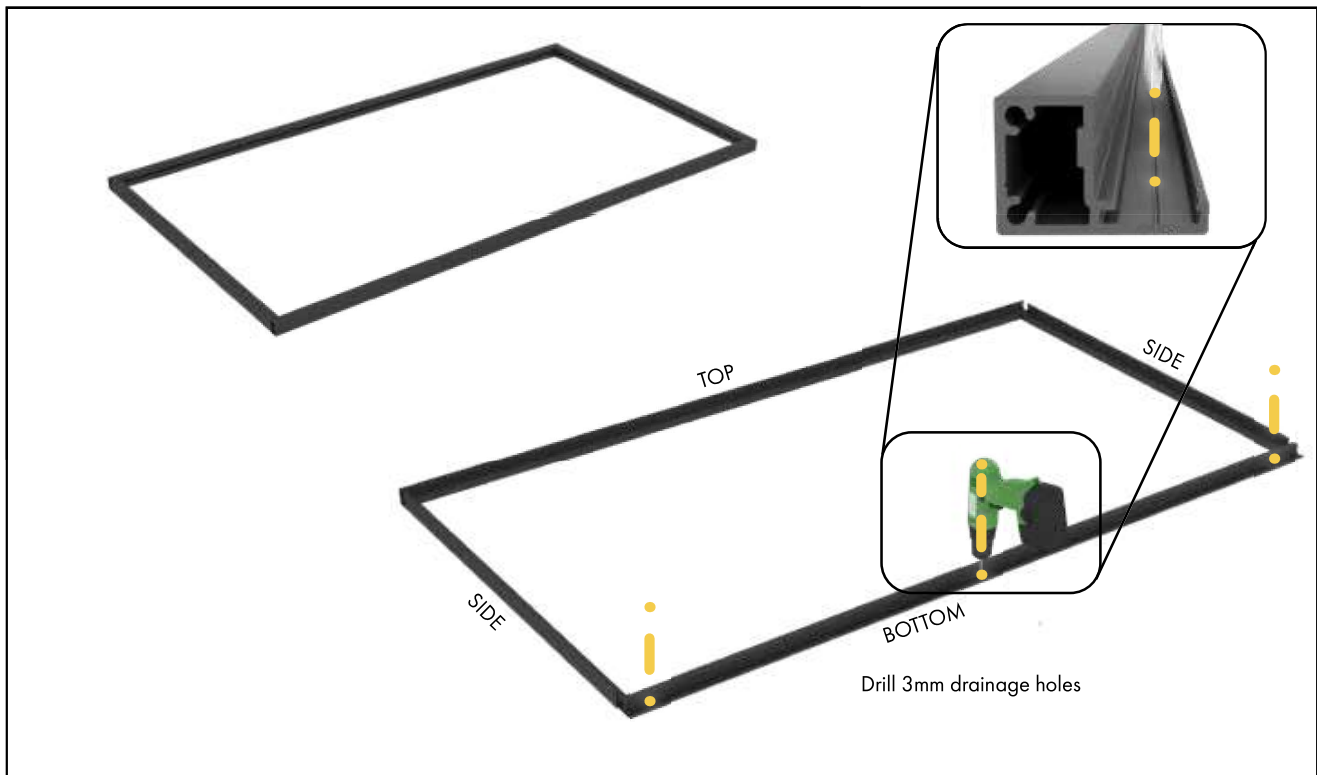


PERF BALUSTRADE ASSEMBLY OVERVIEW

Based on maximum infill size with framing giving 1750mm wide daylight opening



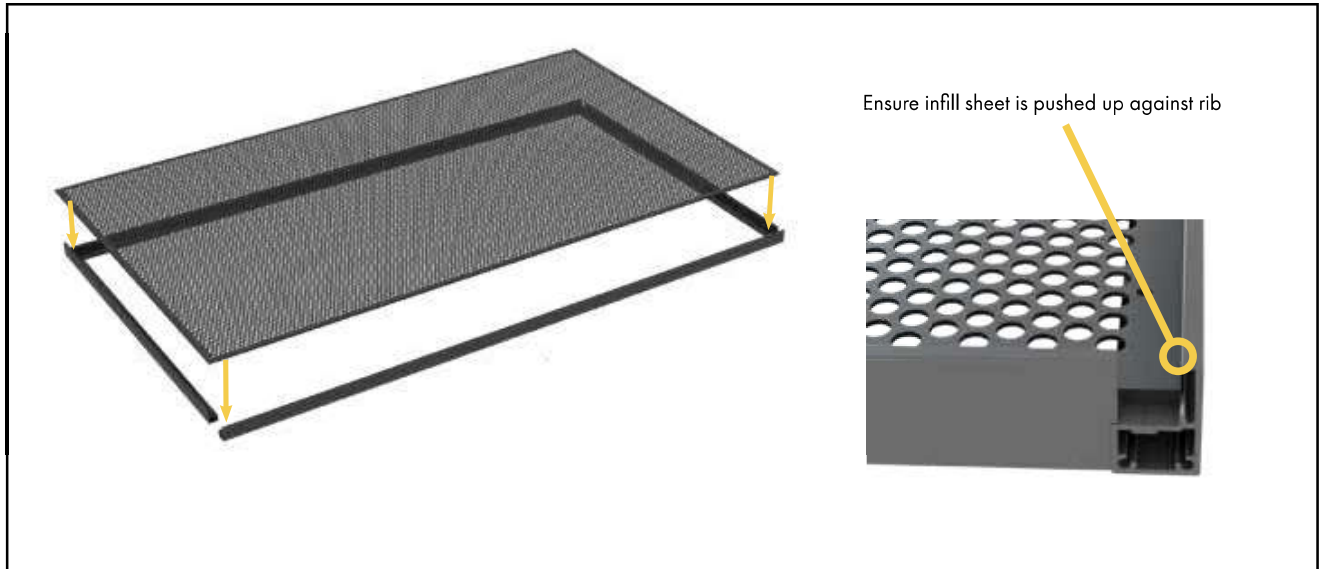
NOTE Once assembled with framing, infill panels are 1738mm wide x 1000mm high.
 With U channel installed both sides, infill panels fit into a 1750mm wide opening as standard. With 50x50mm posts, this equates to centre to centre of post being 1800mm wide.
 For height and width adjustment, refer end of assembly guide.



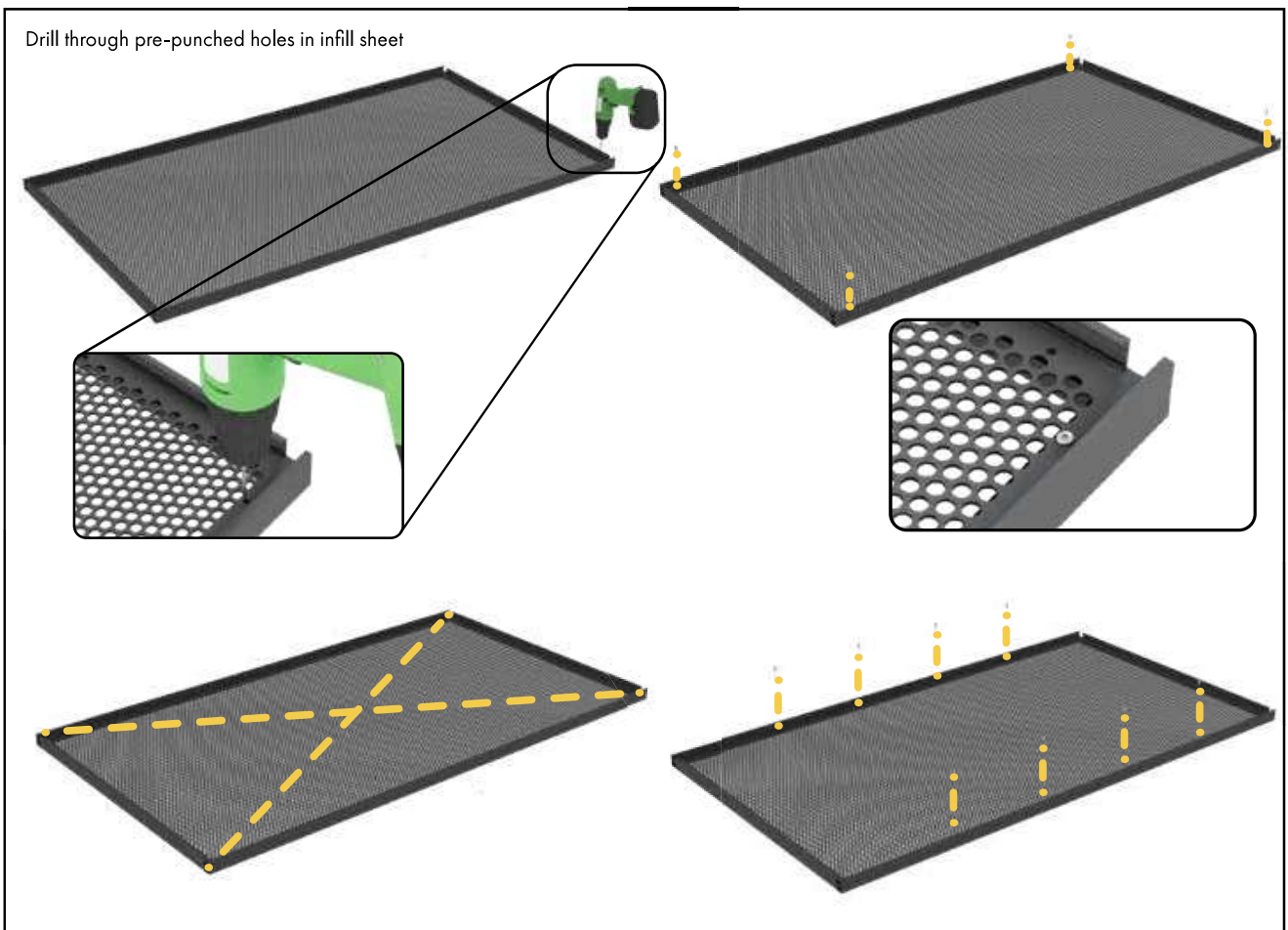
1 Lay out rails in picture frame (side rails inside top/bottom rails).
 Drill 3mm drainage holes in bottom rail at 2 ends and midpoint.



PERF BALUSTRADE ASSEMBLY OVERVIEW



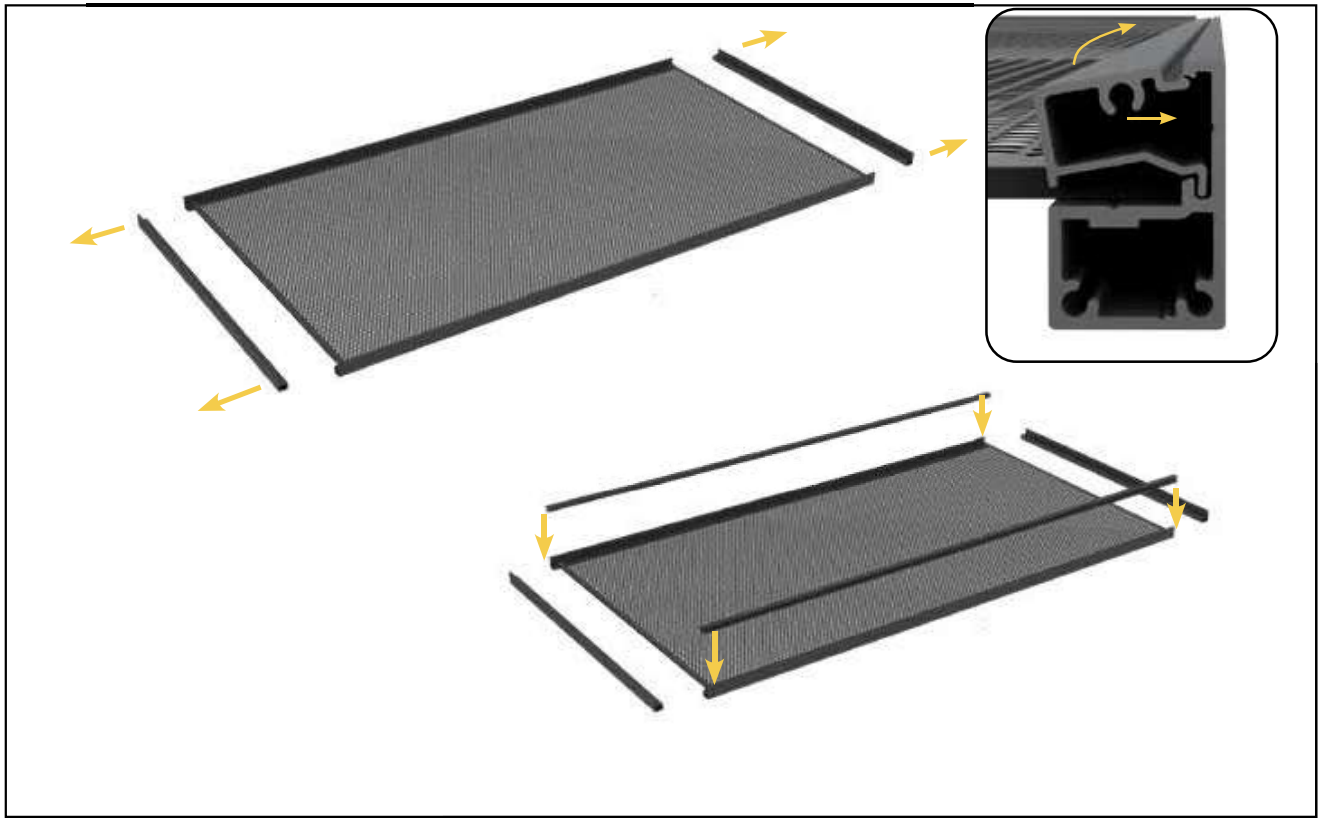
- 2** Place infill sheet in frame rebate, ensuring infill sheet is tight against rail rib on all 4 sides. Check square.



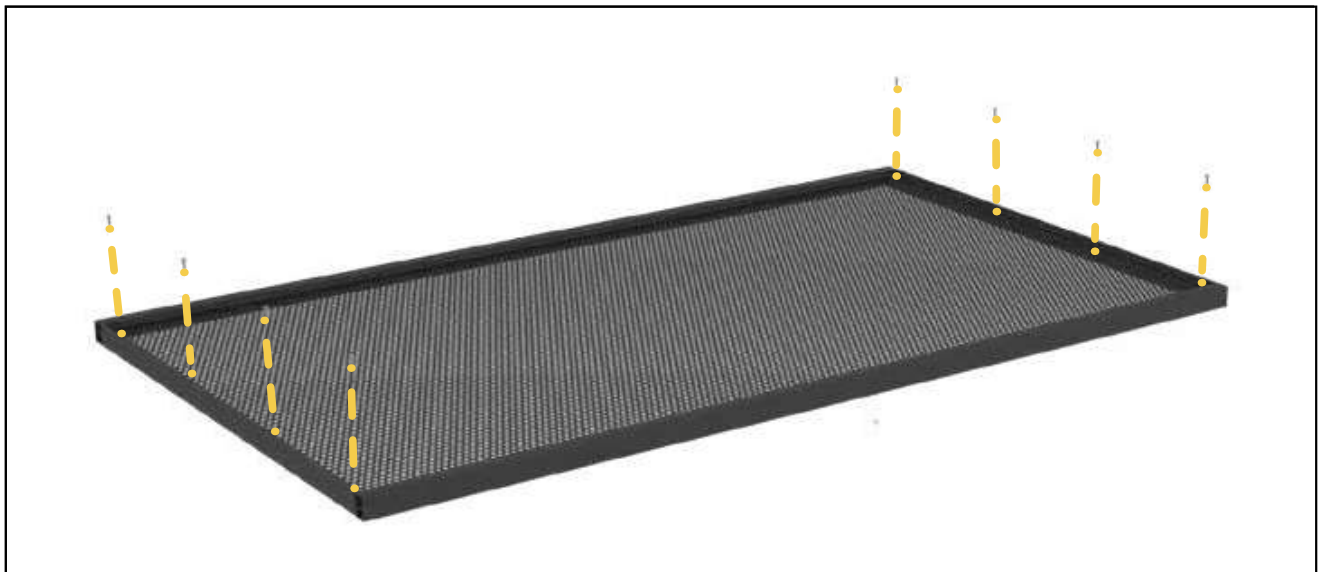
- 3** Drill 3mm pilot holes into the top and bottom outer frame rebate, aligning with the pre-punched holes in the infill sheet border. Start with the 4 outer holes and affix with self tapping wafer screws and check for squareness. Adjust as necessary before drilling and screwing the remaining holes.



PERF BALUSTRADE ASSEMBLY OVERVIEW



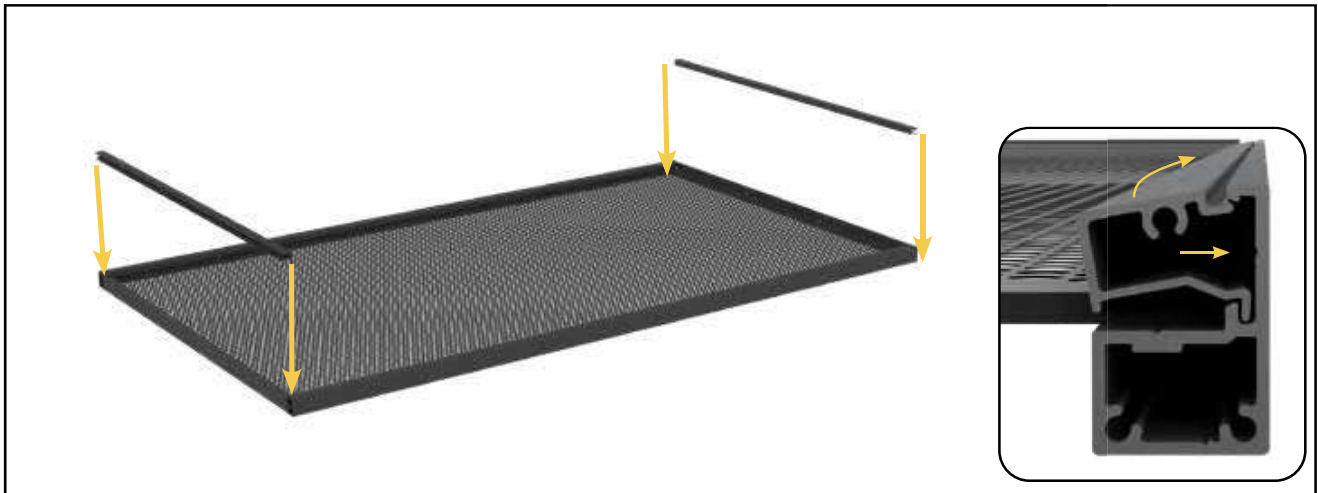
- 4** Remove the side rails from infill sheet temporarily and affix clip bead to top and bottom rail.
Return side rails into position and ensure infill sheet is tight against rail ribs (both sides).



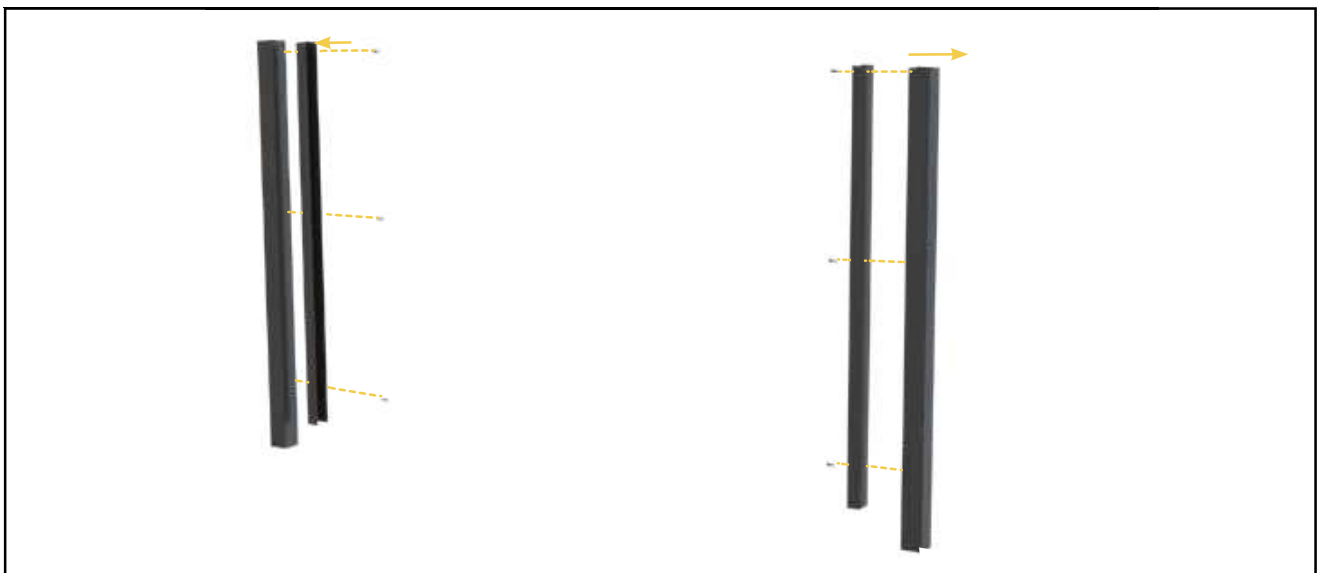
- 5** Drill 3mm pilot holes and affix infill sheet to side rails with self tapping wafer head screws using pre-punched fixing holes.
Check panel is square before and after tightening. Adjust as necessary.



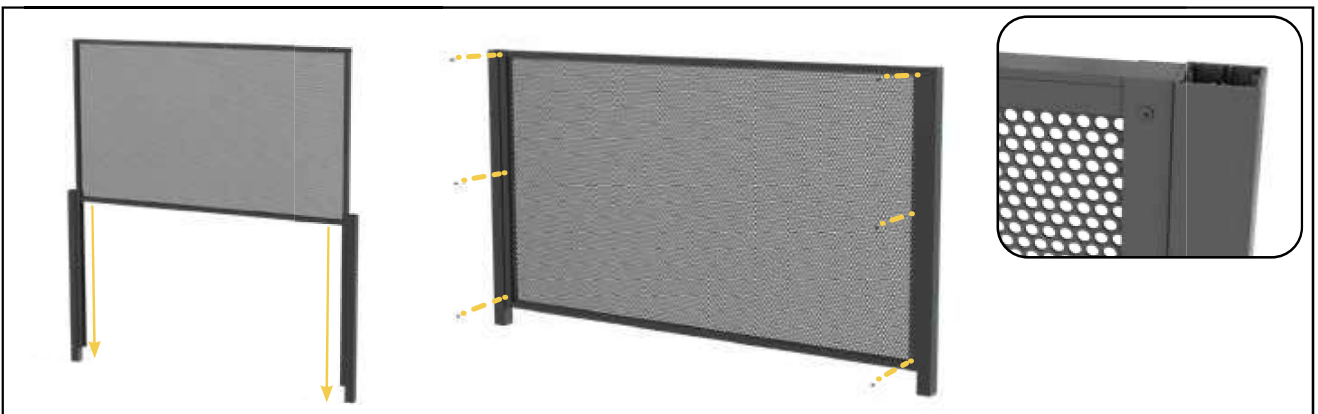
PERF BALUSTRADE ASSEMBLY OVERVIEW



6 Affix clip bead to side rails.



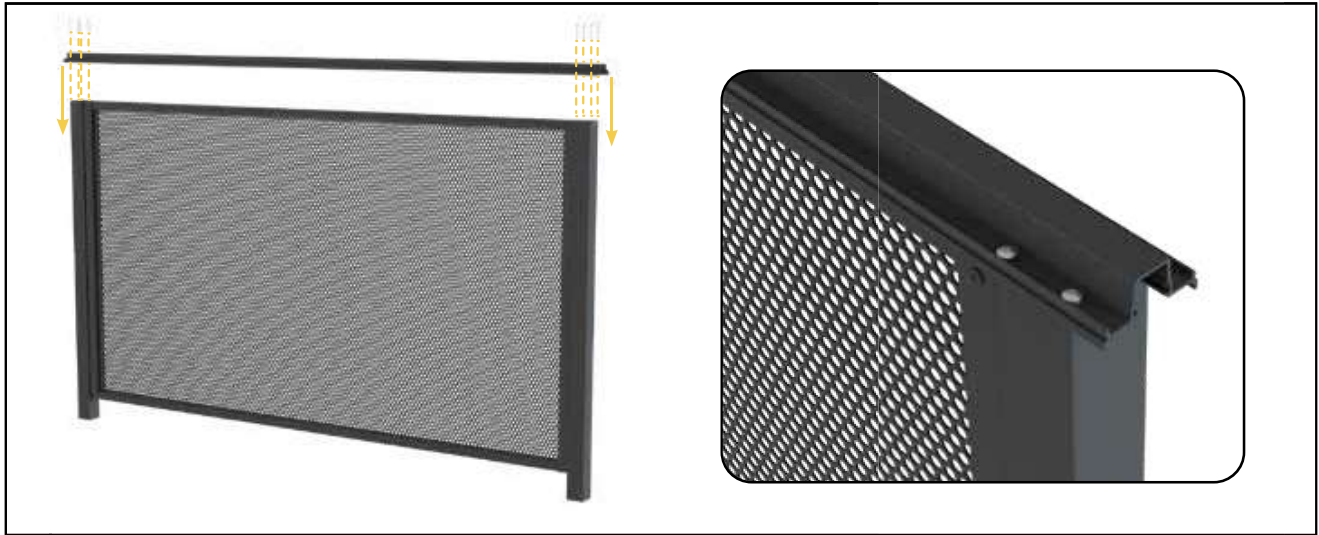
7 Screw fix U-Channel to aluminium posts using self tapping wafer head screws having regard to the desired gap between the bottom rail and the finished ground level.
Fix off vertical U channel to posts at 3 points – bottom, middle and top.
NOTE: Allow for suitable fixings if installing to varied post materials.



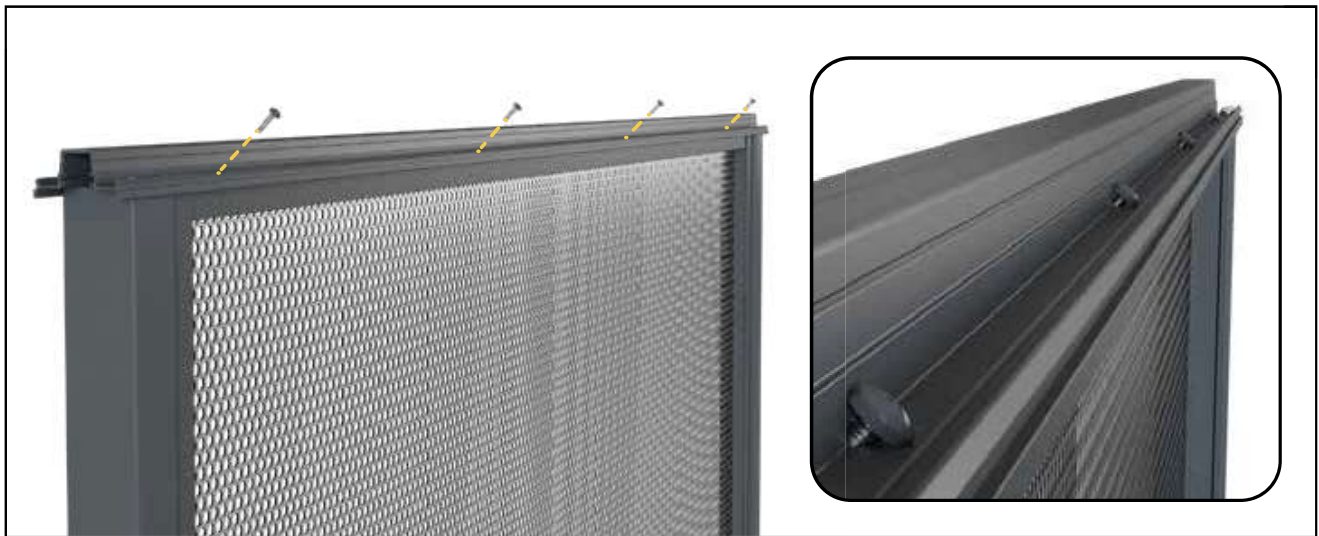
8 Lower panel into U Channel and fix off using wafer head screws either side of panel at top, middle and bottom.



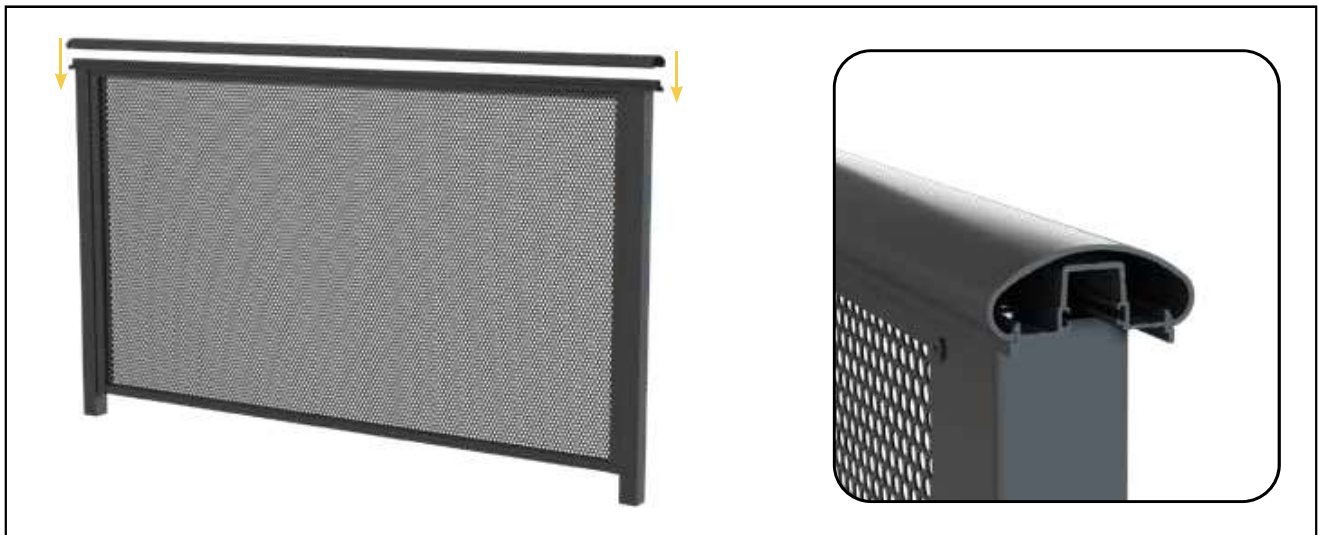
PERF BALUSTRADE ASSEMBLY OVERVIEW



9 Fix off undercapping rail to top of posts securing to each post with 12gx25mm panhead screws.



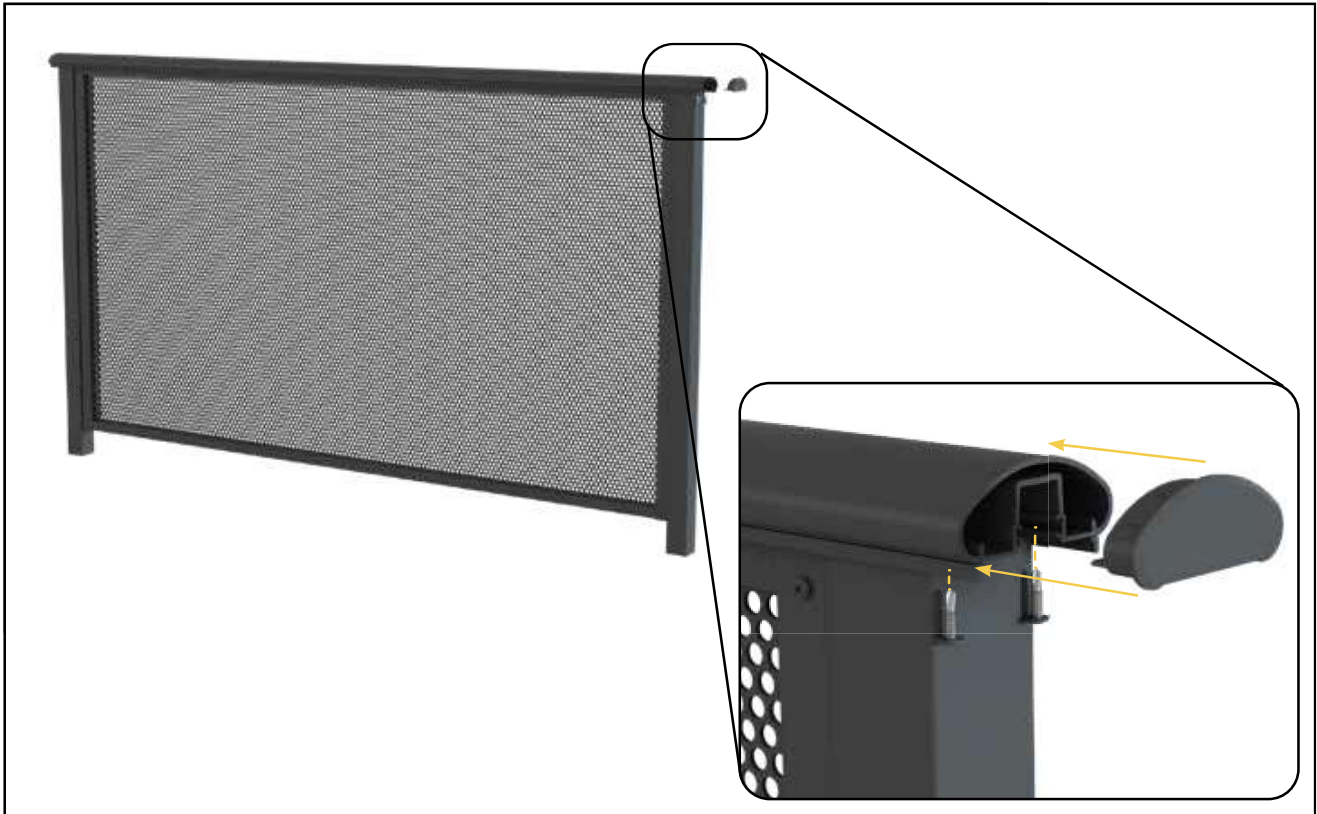
10 Secure undercapping rail to frame with wafer screws going in through undercapping rail at a 45 degree angle, approx every 500mm.



11 Snap handrail onto undercapping rail.



PERF BALUSTRADE ASSEMBLY OVERVIEW



12 If required, push end caps into end of handrail and secure on underside with 2 x wafer screws.



13 If attaching handrail to wall, lever offset wall bracket over handrail and affix to wall using 2 x appropriate fixings (not provided) and one wafer screw through offset wall bracket into handrail.



ASSEMBLY OVERVIEW – APPENDIX 1

APPENDIX 1 / PANEL SIZE ADJUSTMENT FABRICATION OVERVIEW

WIDTH AND HEIGHT ADJUSTMENT FOR OUTER FRAME

PANEL FRAMING CUTTING FORMULAS

2 x Horizontal Top/Bottom Rails = distance between posts minus 12mm

2 x Vertical side frames = Outer frame height of panel** minus 51mm

2 x Vertical U Channels = Outer frame height of panel**

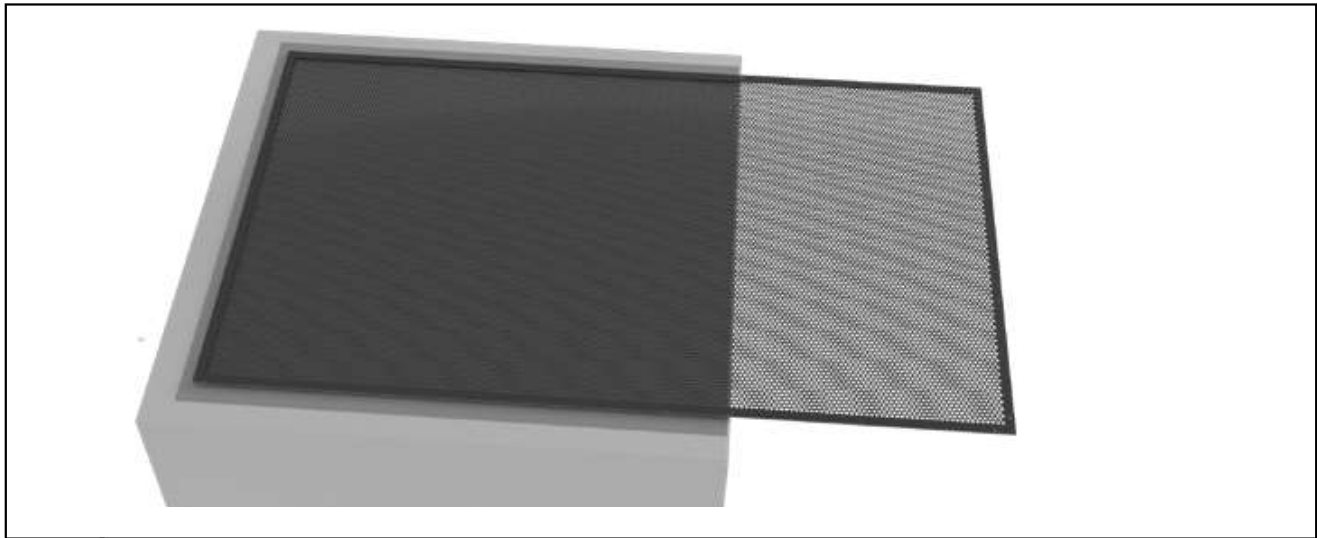
** assumes horizontal top and bottom installed onto infill sheet

WIDTH AND HEIGHT ADJUSTMENT FOR INFILL PANEL

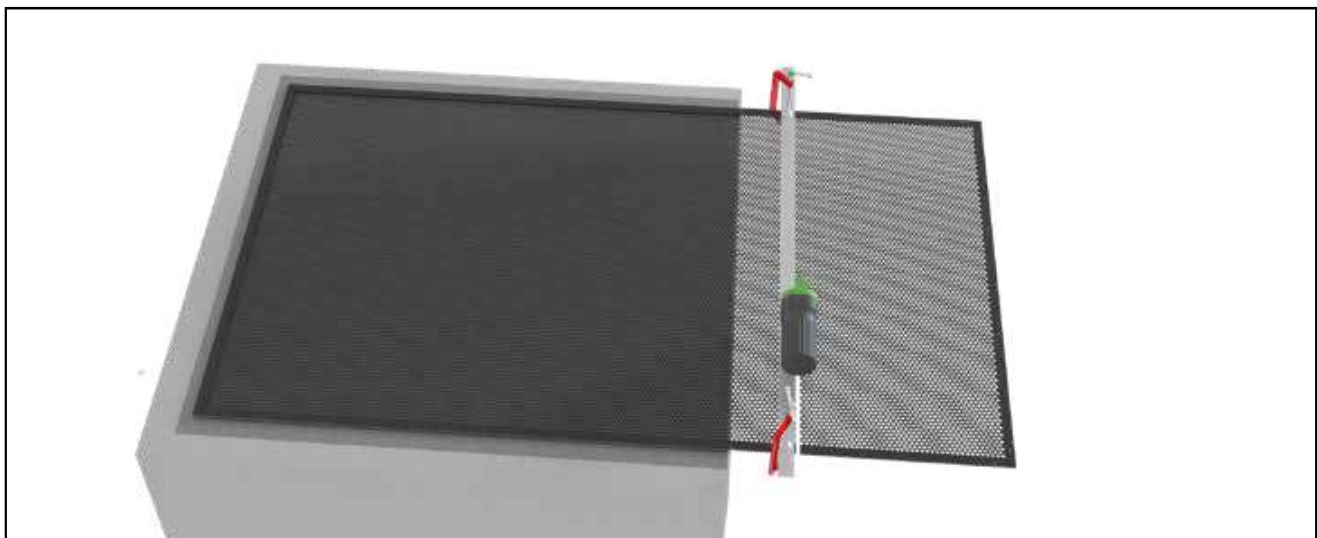
INFILL SHEET CUTTING FORMULA

SHEET WIDTH: Final outer frame width dimension minus 12mm

SHEET HEIGHT: Final outer frame height dimension minus 12mm



1 Lay the infill sheet on flat, padded surface, overhanging the off-cut.



2 Using a clamped straight-edge as a guide, cut using a nibbler tool. (Infill sheet is 2.5mm thick aluminium – ensure nibbler suits cutting this specification.)

Once cut, file any sharp or protruding edges.

** if height of panel requires adjusting, repeat steps 1&2 but for height



ASSEMBLY OVERVIEW – APPENDIX 1

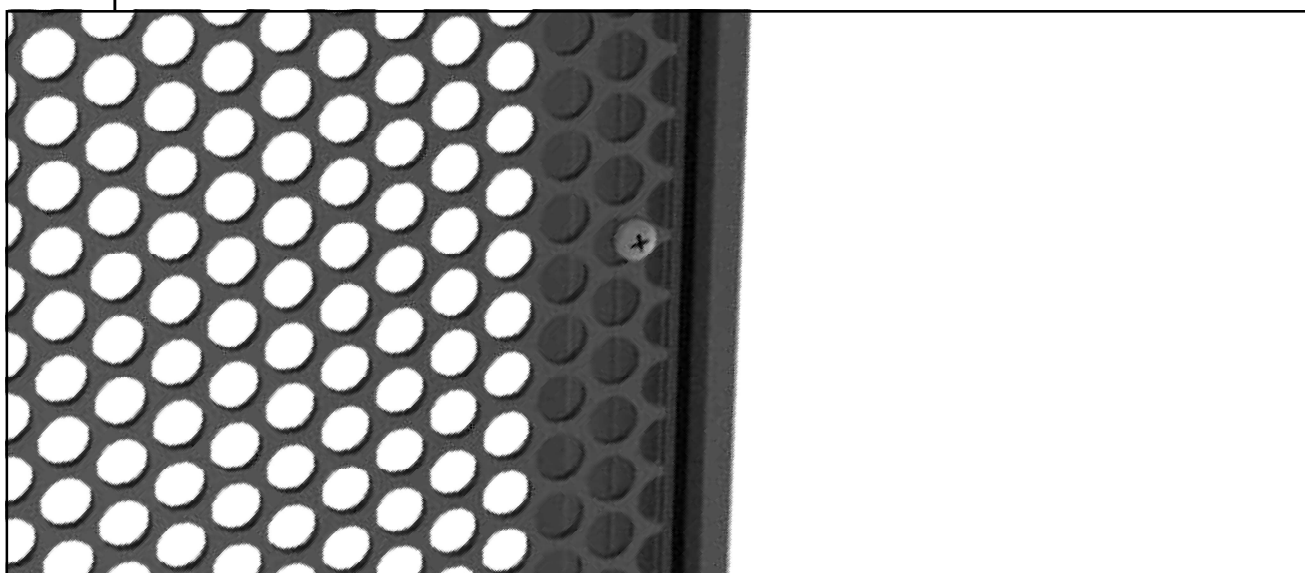
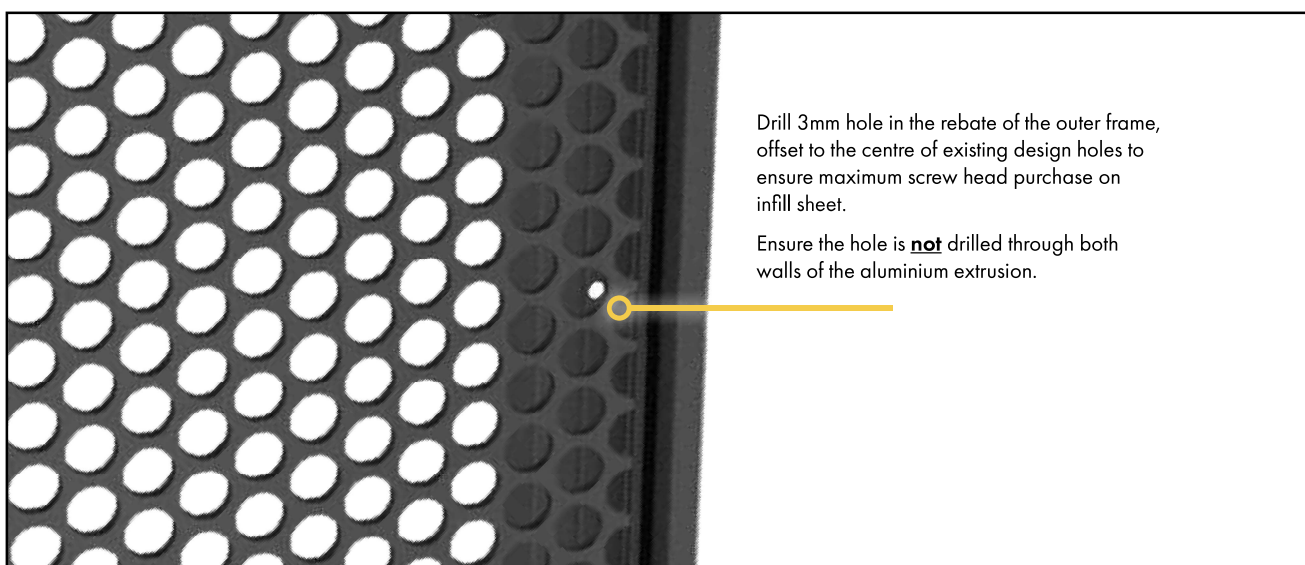
See Steps 1-6 of Assembly Guide, incorporating step 4 below.

3

Assemble outer frame to infill sheet as per steps 1 to 6

WIDTH AND HEIGHT ADJUSTMENT FOR HORIZONTAL AND VERTICAL FRAME

The fixing holes around the border of the infill sheet may be removed when adjusting width or height.

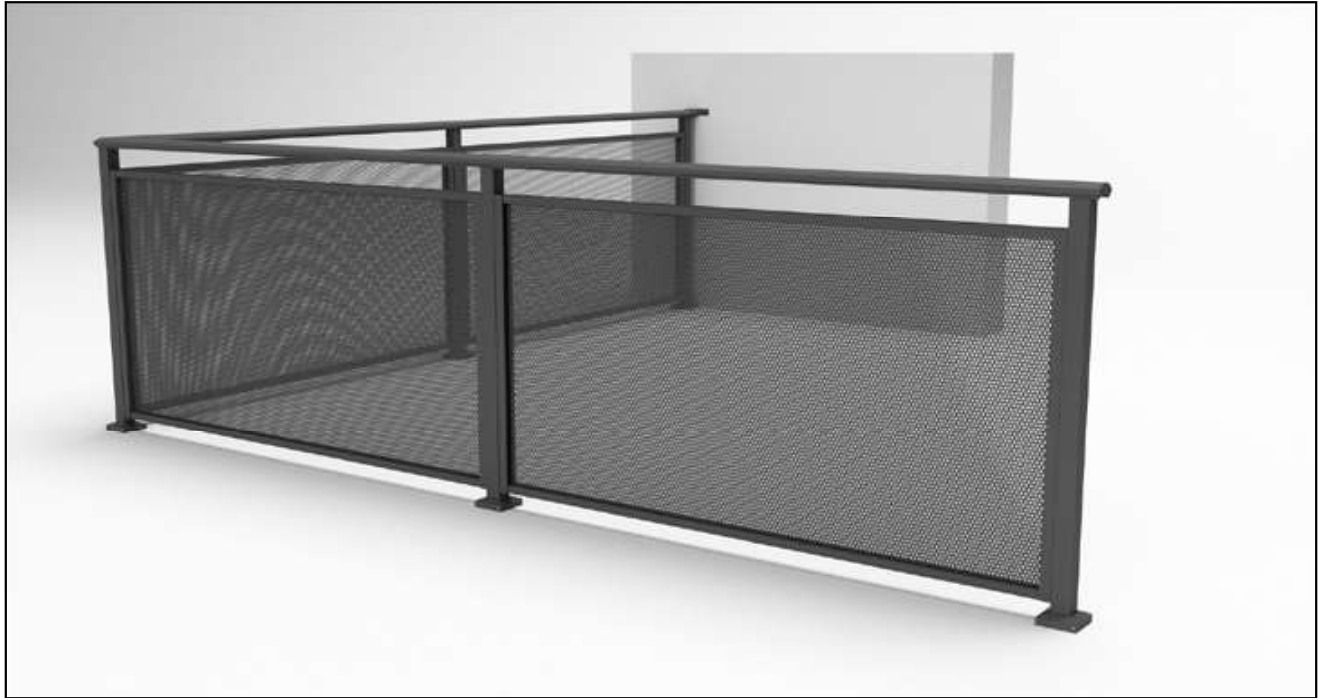


4

Ensure holes/infill sheet fixings are approx 50mm from each corner and 400mm apart (applies to top/bottom/sides of panel).



ASSEMBLY OVERVIEW – APPENDIX 1



NOTE

For 3 rail configuration, height of panel can be adjusted as required to achieve desired look and spacing. U channel should be cut to same height as side frames, and snap in void infill installed to the channel in the undercapping of handrail.
NOTE: Omit Step 10 from above assembly guide.

