

BARR BALUSTRADE

Why choose BARR?

Elevate aesthetics and functional living spaces with BARR – the brand new and ingeniously designed 50x25mm vertical baluster aluminium balustrade system. Pushing the boundaries of modern design and craftsmanship, we've revolutionised traditional balustrade systems.

- 1. STREAMLINED INTEGRATION**
The horizontal top and bottom rails seamlessly pass through expertly machined holes in the balusters, ensuring a sleek appearance and superior structural integrity.
- 2. ROBUST ALUMINIUM BUILD**
Durability meets design. Our balusters are crafted from high-grade aluminium, ensuring long-lasting performance without compromising on elegance.
- 3. SPACE-SAVVY DESIGN**
With a slim 50x25mm profile, vertical balusters provide a visually expansive feel, making spaces look bigger and more open, while ensuring safety and sturdiness.
- 4. EASY INSTALLATION**
Panels are fully welded and ready to install with slimline brackets at each end. Install utilising sturdy core drill, deck mount or face mount posts.
- 5. MAINTENANCE SIMPLICITY**
With its corrosion-resistant properties, our aluminium balustrade system promises minimal upkeep, retaining its shine and strength for years to come.
- 6. COMPLIANCE**
Contact us for engineer compliance certification.



BARR BALUSTRADE

01

BARR Core Drill

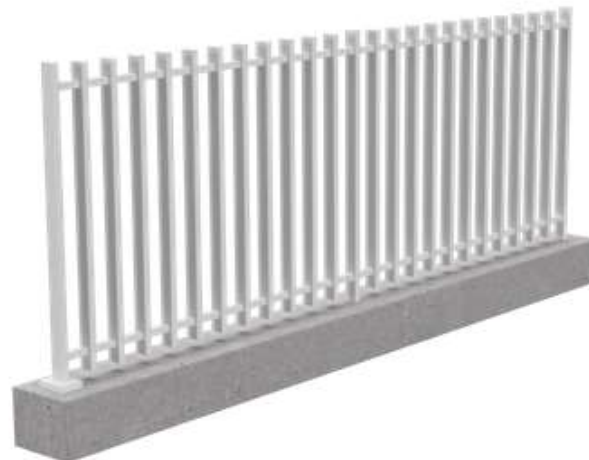
50x50mm core drill posts featuring welded
BARR 50x25mm balustrade infill panels



02

BARR Base Plated

50x50mm base plated posts featuring welded
BARR 50x25mm balustrade infill panels



03

BARR Face Mount

50x50mm face mounts posts (including end
and mid posts) with welded BARR 50x25mm
balustrade infill panels



FINISHES

Our colour range

BARR is stocked in 2 popular balustrade powder coat finishes: Satin Black and Pearl White Gloss.

Satin black and pearl white continue to be the consistent colour palate for balustrade and seamlessly integrate into a variety of backgrounds. Pearl white is a growing trend in balustrade with the proliferation of Hamptons inspired design.

Genuine Interpon powder is used with Interpon D1000 manufacturer warranties provided.

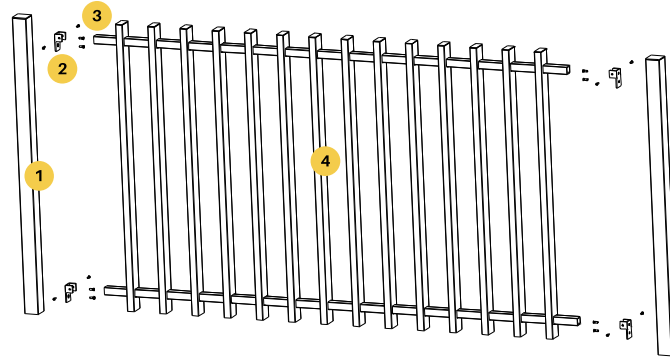
BARR extrusions are produced to the chemical composition, mechanical property and dimensional tolerances in AS-NZS 1866:1997



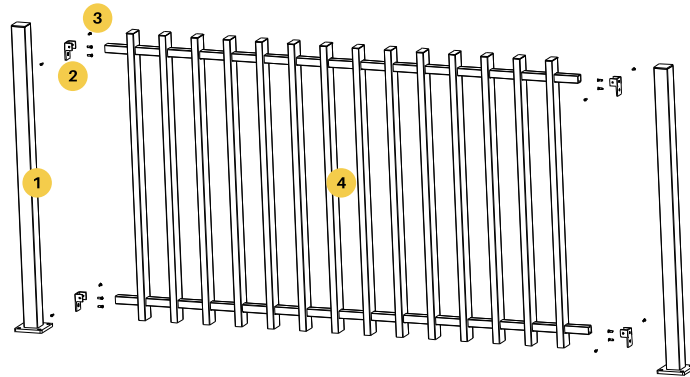
BARR BALUSTRADE

- 1 50x50mm posts: Core drill, base plated or face mount
- 2 Extended 'C' brackets
- 3 SS304 bracket fixing screws
- 4 1000mm high panel with welded 50x25mm balusters
(or 1200mm high panel option for face mount installations)

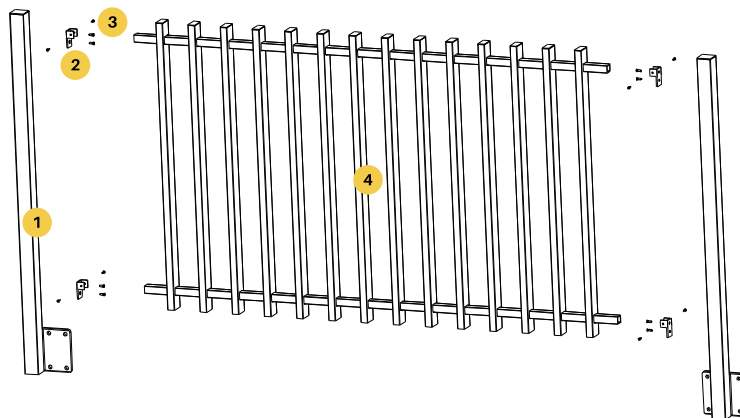
CORE DRILL



BASE PLATED



FACE MOUNT



WATCH THE VIDEO

www.glassoutlet.com.au/product-videos



BARR BALUSTRADE

Full post with base plate (welded)

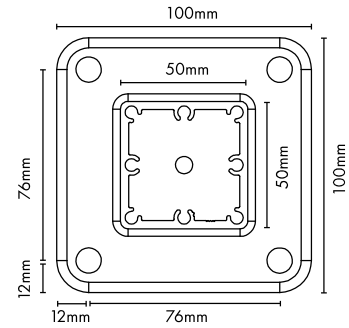
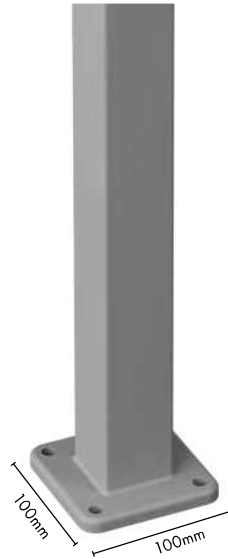
1050mm H

Satin Black or Pearl White finish

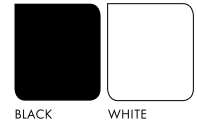
Order Code: **AR-1050-FPBP-B (Black)**

AR-1050-FPBP-W (White)

- Sturdy base plated post at 1050mm high overall
- 3.2mm wall thickness post: 50x50mm profile
- 100x100mm base plate 10mm thick welded on; 4 x 11mm diameter fixing holes
- Made from Alloy 6106 T6; premium & rigid alloy
- Aluminium top cap pre-inserted in each post



FINISHES



5800mm long – Full post

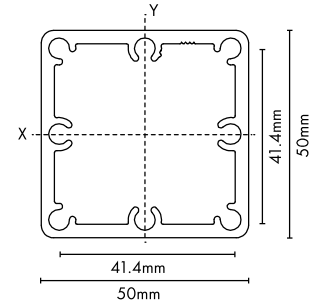
50x50x3.2mm

Satin Black or Pearl White finish

Order Code: **AR-5800-FP-B (Black)**

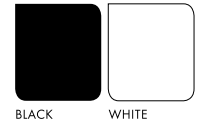
AR-5800-FP-W (White)

- 5800mm long post: suits core drill installation
Cut to required lengths
- 3.2mm wall thickness post: 50x50mm profile
- Made from Alloy 6106 T6; premium & rigid alloy
- Aluminium top cap sold separately
Refer code: XP-TP-B (Black) or XP-TP-W (White)



lxx = 214.10 x 10E3 mmE4
lyy = 214.28 x 10E3 mmE4

FINISHES



BARR BALUSTRADE

Mid face mount post

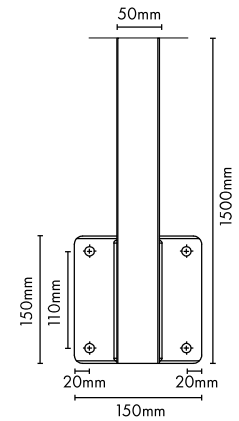
1500mm H

Satin Black or Pearl White finish

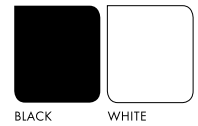
Order Code: **AR-1500-FMID-B (Black)**

AR-1500-FMID-W (White)

- 1500mm long face mount MID post
- Heavy duty 50x50mm aluminium profile: 4mm wall post thickness
- 150x150mm welded on plate: 10mm thick
- 4 x 13mm diameter fixing holes
- Easily cut down height of post to required length
- Aluminium top plate included with post (top plates available separately if required (order code: XP-TP-B (black); XP-TP-W (white))



FINISHES



STEP 1

Install anchors ensuring alignment to post plate holes



STEP 2

Fix off with dome nuts if using threaded rod or lag screw anchors



STEP 3

Install BARR panels & brackets



STEP 4

Finished installation

Face mount – 1 left & 1 right

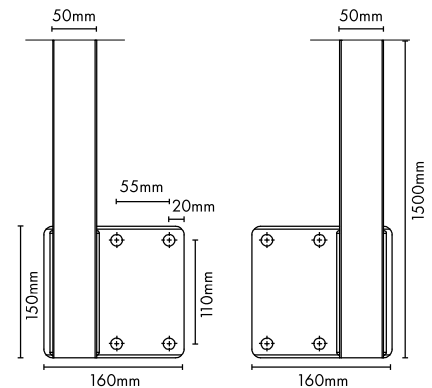
1500mm H

Satin Black or Pearl White finish

Order Code: **AR-1500-FMLR-B-2PK (Black)**

AR-1500-FMLR-W-2PK (White)

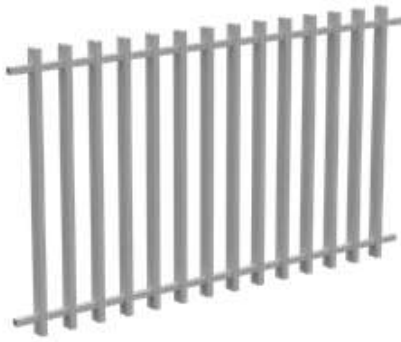
- 1500mm long face mount END posts – LEFT & RIGHT
- Heavy duty 50x50mm aluminium profile: 4mm wall post thickness
- 160mmWx150Hmm welded on offset plates: 10mm thick
- 4 x 13mm diameter fixing holes
- Easily cut down height of post to required length
- Offset plates enable posts to be positioned at absolute ends of face mount installations
- Aluminium top plate included with post (top plates available separately if required (order code: XP-TP-B (black); XP-TP-W (white))
- Sold as a 2 pack (left & right)



FINISHES



BARR BALUSTRADE



Satin black
Pearl white

INSTALLATION TRADE TIP
Allow total bracket gap of 10mm per panel (5mm each side)

BARR 50 x 25 Panel

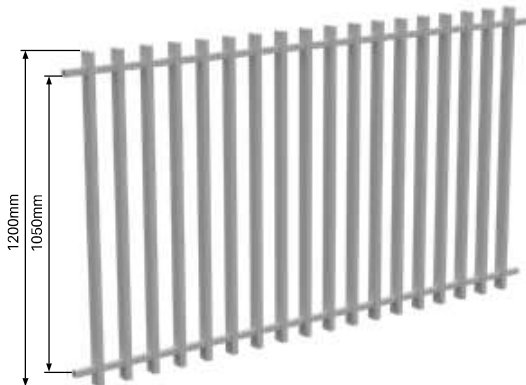
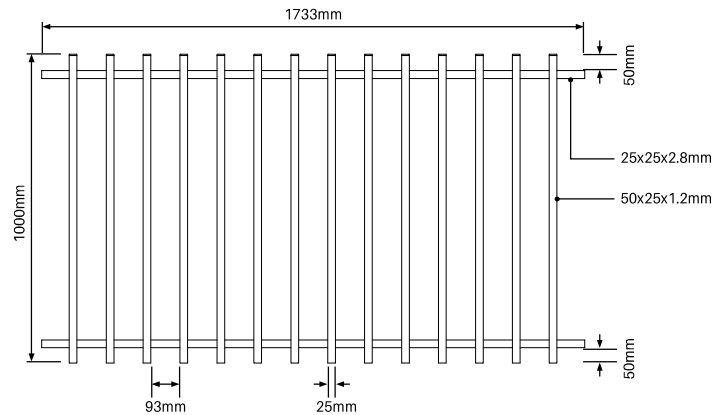
1000MM H x 1733MM W

Satin Black or Pearl White finish

Order Code: BR-PANEL-1733-1000-B/W

- 1000mm high panel; aluminium alloy 6063-T6
- 50x25mm pickets/balusters with 25mm front/facing edge
- Sturdy 25x25x2.8mm horizontal top/bottom rails pass through the centre of punched pickets
- Pickets welded to horizontal rails
- Panel construction is very strong with rails passing through pickets
- 50x25mm picket provides the sought after seamless 'batten' look
- Aluminium powder coated cap pre-inserted in the top of each picket

IMPORTANT NOTE: For engineering compliance, the maximum allowable span is 1425mm centre to centre of post. BARR panels will require width adjustment from stocked panel size. Horizontal rails can be easily cut down with a dropsaw and appropriate blade. BARR Panels may also be used for boundary fencing therefore a wider width is stocked as standard to cater for that option also.



BARR 50 x 25 Panel

1200MM H x 2205MM W

Satin Black or Pearl White finish

Order Code: BR-PANEL-2205-1200-B/W

- 1200mm high panel: aluminium alloy 6063 T6
- Same specifications as 1000mmH panels except 200mm higher
- Pre-inserted nylon cap in the top of each picket
- 1200mmH panel is an option for use with FACE MOUNT posts
- Sets the bottom rail under floor level so that only the top rail is visible when looking out
- Achieves the desirable minimalist 'floating batten' look

IMPORTANT NOTE: For engineering compliance, the maximum allowable span is 1425mm centre to centre of post. BARR panels will require width adjustment from stocked panel size. Horizontal rails can be easily cut down with a dropsaw and appropriate blade. BARR Panels may also be used for pool fencing at 1200mm high and are therefore stocked wider.



BARR BALUSTRADE



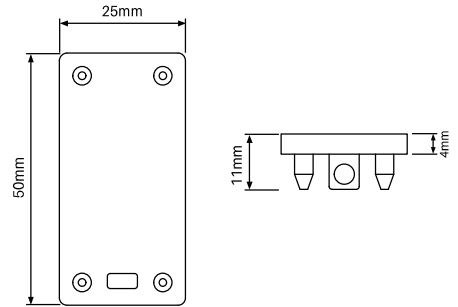
BARR Top Cap

50 x 25 x 4MM

Satin Black or Pearl White finish

Order Code: **BR-TCA-B/W**

- Made from solid aluminium and CNC machined (not die cast aluminium)
- Optional extra 4mm thick aluminium powder coated top cap
- Presses into screw flutes in 50x25mm pickets
- 1000mmH panels have CNC aluminium picket caps pre-inserted. Optional extra BARR caps available for replacements.
- 1200mmH panels have nylon top caps pre-inserted. Remove nylon caps and replace with aluminium CNC powder coated top caps if desired.



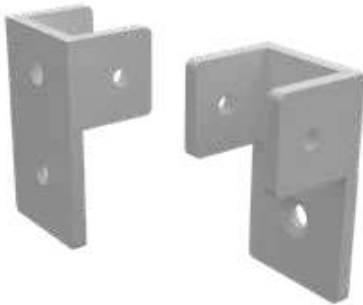
50x50mm post flat top plate

POWDER COATED ALUMINIUM

Black or White finish

Order Code: **XP-TP-B/W**

- Alloy ADC12 aluminium cap
- Press into 50x50mm post screw flutes



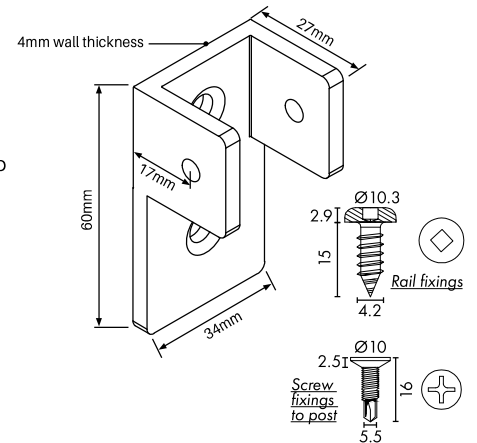
BARR Extended 'C' Bracket Kit

4 PACK

Satin Black or Pearl White finish

Order Code: **BR-BR60-B/W-4PK**

- EXTENDED "C" bracket for neat fixing of panels to posts/wall
- Made from extruded aluminium
- Features a longer back leg allowing 2 x fixings to post/wall for extra strength
- Screws supplied for each bracket include 2 x countersunk SS304 screw for fixing to aluminium posts & 2 x panhead SS304 square drive screws for fixing the panels with the rails
- Sold as a pack of 4 x EXTENDED "C" brackets with matching screws



STEP 1

Fix brackets to posts
*Rear bracket wall thickness is 4mm.
Cut horizontal rails making allowance for bracket wall thickness.



STEP 2

Pilot hole drill



STEP 3

Fix off bracket to rail



STEP 4

Finished

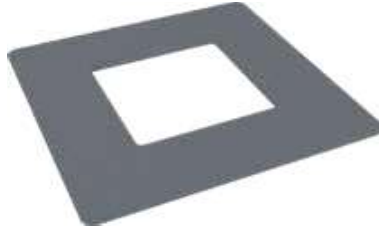
BARR BALUSTRADE

50x50mm post dress ring

POWDER COATED ALUMINIUM
Satin Black or Pearl White finish

Order Code: XP-DR-B/W

- Suits 50x50mm core drill posts
- 100mm x 100mm outer - 52mm x 52mm inner



Two part domical cover

POWDER COATED ALUMINIUM
Satin Black or Pearl White finish

Order Code: XP-DC-2P-B/W

- Suits 50x50mm post with 100x100mm base plate
- 106x106mm outer - 52x52mm inner
- Alloy ADC12
- 30mm high
- Cover can be fitted after base plated posts installed



Discreet screws fix two parts of cover together

Driver bit

Order Code: DB-PH3

- Driver bit to suit Phillips #3 screw head



Square head driver bit

Order Code: DB-SQ3.4

- Driver bit to suit 3.4mm square screw head hole

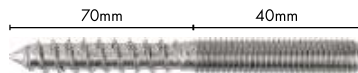


Timber fixing kit

4 PACK - SS316

Order Code: S-110LAG-4PK

- M10 x 110mm timber lag screws x4 with nuts and washers
- M10 fixing suits the 11mm hole diameter in base plated 50x50mm posts



Concrete fixing kit

4 PACK - SS316

Order Code: S-120ROD-4PK

- M10 x 120mm concrete threaded rods x4 with nuts and washers
- Use with chemical anchor for stud fixing
- M10 fixing suits the 11mm hole diameter in base plated 50x50mm posts



BARR BALUSTRADE



Soudafix CA1400 Chemical anchor

280mL

Order Code: **SODU-CA1400**

- High performance, two-component chemical anchoring resin for the pressure-free securing of anchoring rods, studs, treaded collars etc
- Easy to use and apply
- Fast cure (20°C=45min full cure; 30°C=25min full cure)
- Vinyl ester styrene free
- Can be used in damp concrete
- Apply with standard caulking gun

Soudal heavy duty cartridge gun

Order Code: **SODU-GUN**

- Heavy duty, steel trade quality cartridge gun
- Geared ratio 18:1 for smooth operation and easy application
- Dripless system feature automatically releases pressure to reduce mess/waste
- Suits 300ml silicone cartridges and 280ml chemical anchor



Horseshoe Packers

20 PACK

Black finish

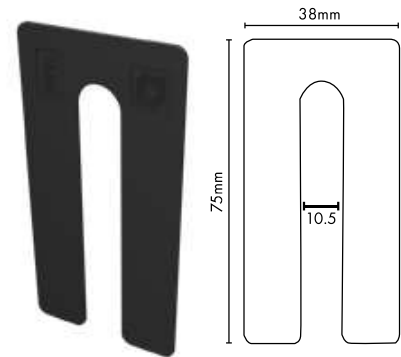
Order Code: **HSP-75X38-1MM-20PK**

1mm thick

HSP-75X38-3MM-20PK

3mm thick

- 38mm wide x 75mm long horseshoe packers
- 10.5mm slot
- Available in 1mm or 3mm thick (20 per pack)
- Durable black solid polypropylene
- Handy for levelling adjustments while installing
- Easy to cut down to required length



Available 1mm or 3mm thick



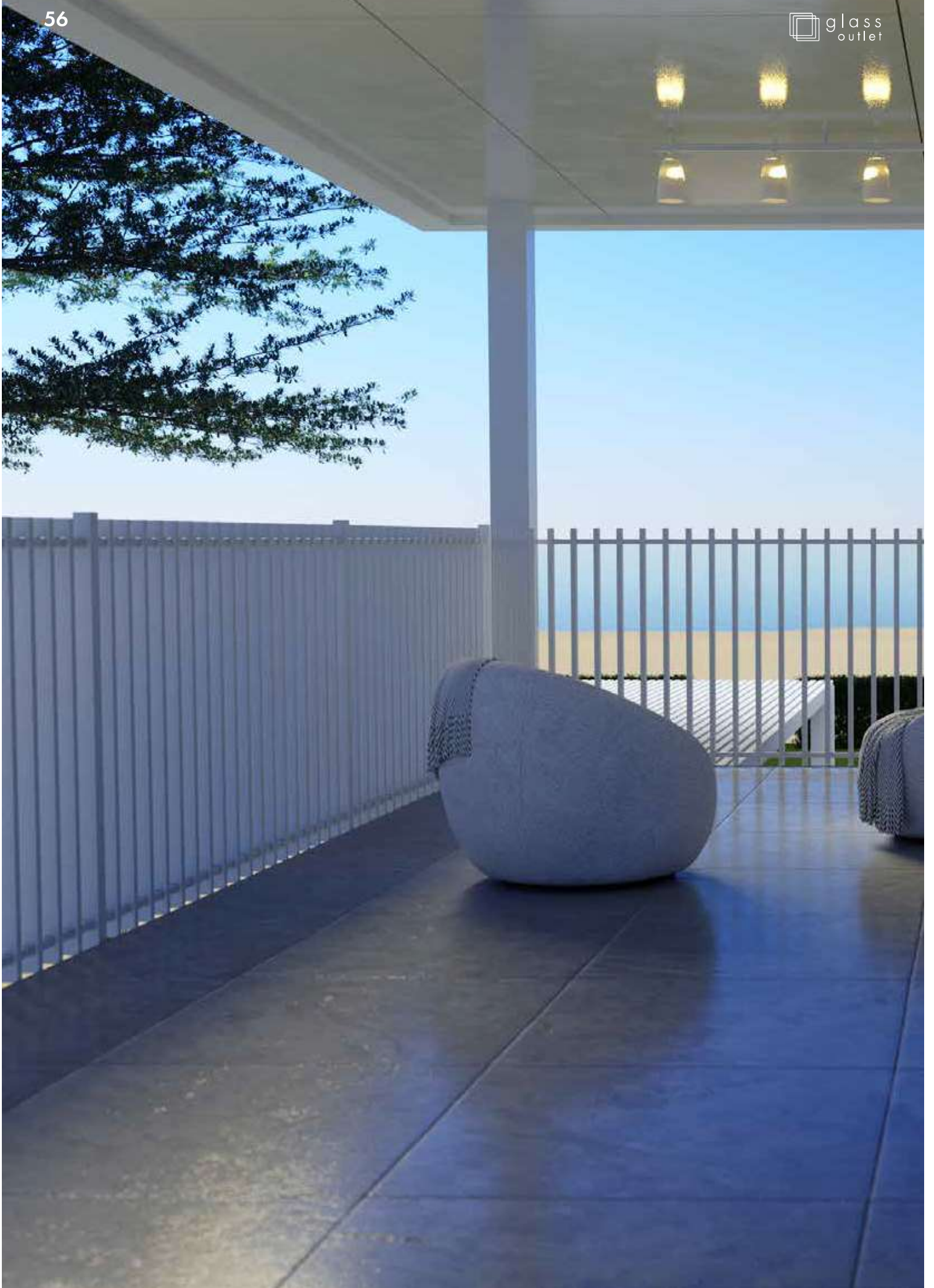
Touch Up Paint

150g SPRAY CAN

Black and Pearl White finish

Order Code: **PAINT-B (Black)**
PAINT-W (White)

- Colour match touch up paint



BARR BALUSTRADE

M12 dome nut

PACK OF 4 – SS316

Black or Mill finish

Order Code: **GS-DN-4PK-B (Black)**

GS-DN-4PK (Silver)

- 4x dome nuts & 4x split washers
- Suits M12 thread

*Silver recommended for white powder coat installations.
Black recommended for black powder coat installations.*

IMPORTANT NOTE: M12 fixings suits 13mm hole diameter in FACE MOUNTED posts. Cannot be used for fixing of base plated posts (which have 11mm diameter holes in base plates).



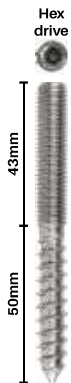
FINISHES



MATT BLACK MILL



M12 FIXINGS

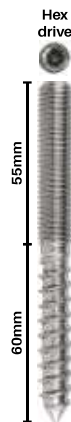


93mm lag screw

SS304

M12 thread

Order Code: **GS093LAG**



115mm lag screw

SS304

M12 thread

Order Code: **GS115LAG**

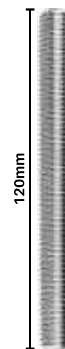


160mm lag screw

SS304

M12 thread

Order Code: **GS160LAG**

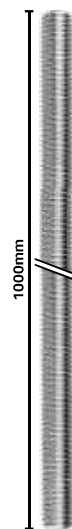


120mm threaded rod

SS304

M12 thread

Order Code: **GS120ROD**



1000mm threaded rod

SS304


M12 thread

Order Code: **GS1000ROD**



NOTE – Select finish code:
 (EG AR-1050-FPBP-B for black)

ORDER CODES

Order Code	Description	Colours
AR-1050-FPBP-B/W	1050mm high – full post with base plate (welded)	 
AR-5800-FP-B/W	5800mm long – full post	 
AR-1500-FMID-B/W	Mid face mount post – 1500mm H	 
AR-1500-FMLR-B/W-2PK	Face mount – left & right – 1500mm H	 
BR-PANEL-1733-1000-B/W	Barr 50 x 25 panel – 1000mm H x 1733mm W	 
BR-PANEL-2205-1200-B/W	Barr 50 x 25 panel – 1200mm H x 2205mm W	 
BR-TCA-B/W	Barr top cap	 
XP-TP-B/W	50 x 50mm post flat top plate	 
BR-BR60-B/W-4PK	Barr extended 'C' bracket kit	 
XP-DR-B/W	50 x 50mm post dress ring	 
XP-DC-2P-B/W	Two part domical cover	 
DB-PH3	Phillips #3 driver bit	
DB-SQ3.4	Square head driver bit	
S-110LAG-4PK	M10 x 110mm long timber lag screw – 4 pack	
S-120ROD-4PK	M10 x 120mm thread rod with nuts/washers – 4 pack	
SOUD-CA1400	Soudafix CA1400 chemical anchor	
SOUD-GUN	Soudal heavy duty cartridge gun	
PAINT-B/W	Touch up paint	 
HSP-75X38-1MM-20PK	Horseshoe packers – 1mm thick	
HSP-75X38-3MM-20PK	Horseshoe packers – 3mm thick	
GS-DN-4PK-B/S	M12 dome nut – pack of 4	 

 MATT BLACK
  MATT WHITE
  MILL