



# Our range of general purpose hinges



**TruClose® hinge pair**  
NO ALIGNMENT LEGS  
Order Code: TC-H-AT-B  
D&D Code: TCA1S3BT



**TruClose® hinge pair**  
2 ALIGNMENT LEGS  
Order Code: TC-H-AT-2L-B  
D&D Code: TCA1L23BT



**TruClose® hinge pair**  
**Heavy duty**  
1 ALIGNMENT LEG  
Order Code: TC-H-AT-HD-B  
D&D Code: TCHD1AL1S3BT



**TruClose® hinge pair**  
**Heavy duty**  
2 ALIGNMENT LEGS  
Order Code: TC-H-AT-HD-2L-B  
D&D Code: TCHD1AL2S3BT



**Kwik Fit® hinge pair**  
FIXED TENSION  
Order Code: KF-H-FT  
D&D Code: KF35



**Kwik Fit® hinge pair**  
NO TENSION  
Order Code: KF-H-NT  
D&D Code: KF3P



**Kwik Fit® Aluminium**  
**hinge pair**  
ADJUSTABLE TENSION  
Order Code: KF-AH-AT  
D&D Code: KF3ABL



**Premium soft close**  
**hinge pair**  
SELF CLOSING  
Order Code: PSA



# GATE HINGES

**19mm**  
gap spacing

**No**  
alignment legs

(variable spacing achievable)



### Certi cap – Series 3

Order Code: TC-CAP53

D&D code: TCACAP53

- Prevents toe hold on hinge
- Durable polymer material



### TruClose® hinge pair

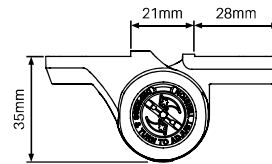
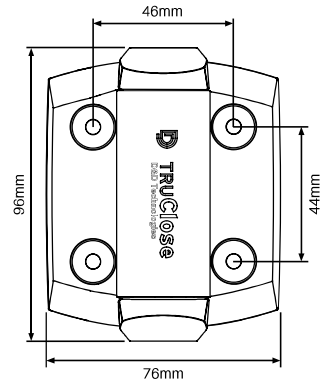
#### NO ALIGNMENT LEGS

Order Code: TC-H-AT-B (Pair)

- D&D patented tension adjustment
- Strong, moulded polymer and stainless steel
- Adjust tension from both ends of the hinge
- No visible fixings
- Decorative trim covers available in black finish
- Super strong engineering polymers and stainless steel components
- Won't rust, bind, sag or stain
- Limited lifetime warranty
- Pool fencing compliant – Rated for **gates up to 30kg**

D&D code: TCA153BT

**No alignment legs on hinge allows for flexibility when positioning gate onto post**



**Reinforcing ribs**  
Moulded ribs provide super strength

**Concealed fasteners**  
Trim covers hide the fasteners to improve the appearance of the gate



**Patented adjuster**  
Easy tension adjustment

**Internal stainless steel spring**  
Won't rust or corrode

**Moulded hinge body**  
Engineering polymers with glass fibre reinforcement are UV stabilised



**21mm**  
gap spacing

**2**  
alignment legs



### Certi cap – Series 3

Order Code: TC-CAP53

D&D code: TCACAP53

- Prevents toe hold on hinge
- Durable polymer material



### TruClose® hinge pair

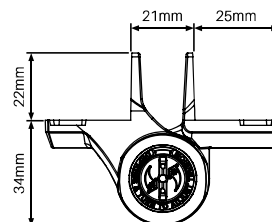
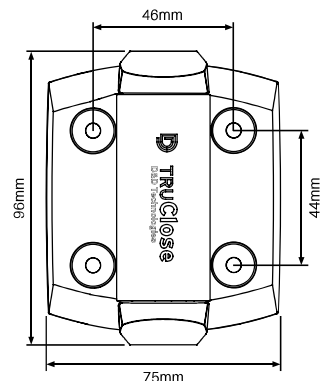
#### 2 ALIGNMENT LEGS

Order Code: TC-H-AT-2L-B (Pair)

D&D code: TCA1L253BT

- D&D patented tension adjustment
- Strong, moulded polymer and stainless steel
- Adjust tension from both ends of the hinge
- No visible fixings
- Decorative trim covers available in black finish
- Super strong engineering polymers and stainless steel components
- Won't rust, bind, sag or stain
- Limited lifetime warranty
- Pool fencing compliant – Rated for **gates up to 30kg**

**Two alignment legs on hinge allows for quick, easy and accurate positioning of gate onto post**





# GATE HINGES

19mm  
gap spacing

1  
alignment leg



**TRUClose** HEAVY DUTY

## TruClose® hinge pair Heavy duty

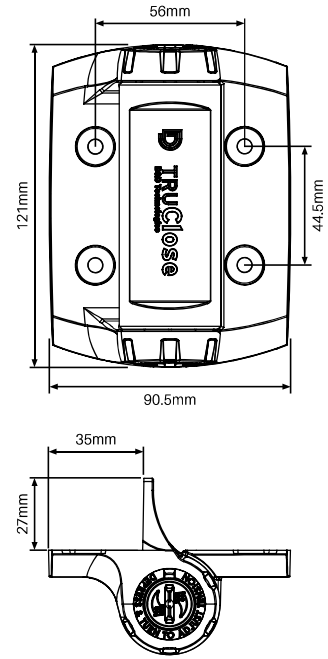
### 1 ALIGNMENT LEG

Order Code: TC-H-AT-HD-B (Pair)

D&D code: TCHD1AL1S3BT

- D&D patented tension adjustment
- Strong, moulded polymer and stainless steel
- Adjust tension from both ends of the hinge
- No visible fixings
- Decorative trim covers available in black finish
- Super strong engineering polymers and stainless steel components
- Won't rust, bind, sag or stain
- Limited lifetime warranty
- Pool fencing compliant - Rated for gates up to 70kg

One alignment leg on hinge allows for quick and sturdy fixing on one side with flexible positioning on the other side



21 mm  
gap spacing

2  
alignment legs



**TRUClose** HEAVY DUTY

## TruClose® hinge pair Heavy duty

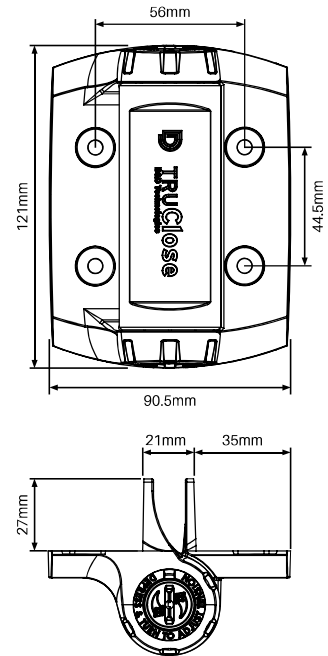
### 2 ALIGNMENT LEGS

Order Code: TC-H-AT-HD-2L-B (Pair)

D&D code: TCHD1AL2S3BT

- D&D patented tension adjustment
- Strong, moulded polymer and stainless steel
- Adjust tension from both ends of the hinge
- No visible fixings
- Decorative trim covers available in black finish
- Super strong engineering polymers and stainless steel components
- Stylish and contemporary design
- Won't rust, bind, sag or stain!
- Limited lifetime warranty
- Pool fencing compliant - Rated for gates up to 70kg

Two alignment legs on hinge allows for quick, easy and accurate positioning of gate onto post





# GATE HINGES

20mm  
gap spacing

Fixed tension



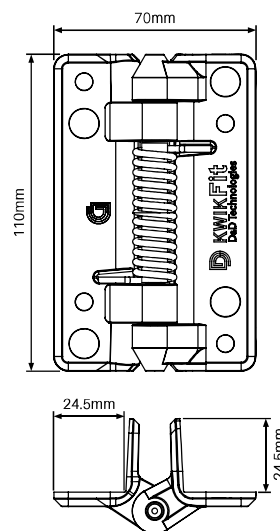
## Kwik Fit® hinge pair

FIXED TENSION

Order Code: KF-H-FT (Pair)

D&D code: KF3S

- Self closing fixed tension hinges
- Rated to 20kg self close (D&D)
- Alignment legs for ease of fitting
- Strong polymer and stainless steel
- Torsion spring construction
- Pool fencing compliant



20mm  
gap spacing

No tension



## Kwik Fit® hinge pair

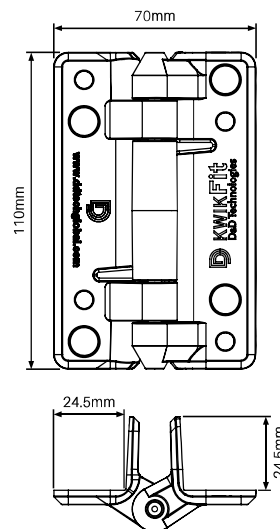
NO TENSION

Order Code: KF-H-NT (Pair)

D&D code: KF3P

- Standard pivot hinges (No self close)
- Rated to 25kg gates (D&D)
- Alignment legs for ease of fitting
- Strong polymer construction
- Ideal for boundary gates

**Not pool fencing compliant**



21 mm  
gap spacing

Soft closing



## Premium soft close hinge pair

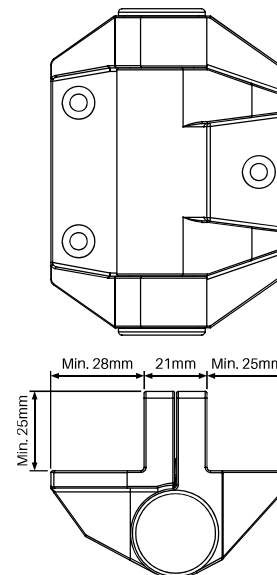
SELF CLOSING

Order Code: PSA

- Patented soft close hinge designed for outdoor use
- U.V. stabilised polymer construction
- Suitable for metal and PVC gates
- Meets pool safety standards
- Tested for minimum 10,000 cycles
- Adjustable soft close action
- Pool fencing compliant
- Max 25kg holding weight - 15kg soft closing weight



**Improved  
soft closing  
mechanism!**





# GATE HINGES

**19mm**  
gap spacing

**Adjustable**  
tension

POST TO GATE  
INSTALLATION



OR

WALL TO GATE  
INSTALLATION



**D** **KWIKFit** **ALUMINIUM**

## Kwik Fit® Aluminium hinge pair

### ADJUSTABLE TENSION

Order Code: **KF-AH-AT (Pair)**

D&D code: **KF3ABL**

- Powder coated black aluminium hinges
- D&D patented tension adjustment – 6 tension settings, adjustable from both ends
- Self closing hinge – closes gates up to 20kg
- Internal stainless steel spring
- Wall and post mounting hinges
- Tested to over 300,000 cycles
- Pool fencing compliant

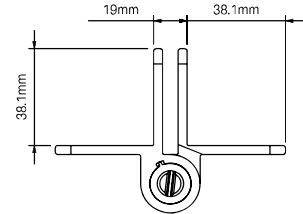


Wall to gate installation

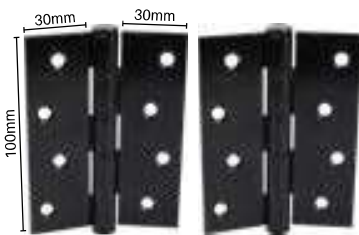
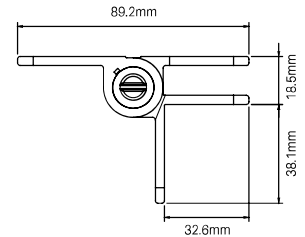
### Fit to posts or walls

Adjustable fixing plate

POST TO GATE INSTALLATION



WALL TO GATE INSTALLATION



## Butt hinge pair

100MM H x 75MM W

Order Code: **SS-BH10075-B**

- Cost effective where self closing hinge is not required
- Zinc plated steel
- Powder coated black
- Multiple fixing points – Ø6mm holes

**Not pool fencing compliant**



## Gudgeon hinge pair

Order Code: **SS-GH-B**

- Can be used with 1515mm wide adjustable gate – perfect for driveway gate installation
- Not self closing
- Suits 38x25mm box section

**Not pool fencing compliant**



## Wall/sq. post hinge set

SS316

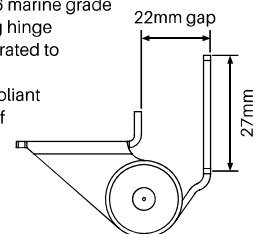
**Polish, satin or black finish**

Order Code: **MR-SPH-P (Polish)**

**MR-SPH-S (Satin)**

**MR-SPH-BLK (Black)**

- Stainless steel 316 marine grade
- Self closing spring hinge
- Cone cap incorporated to prevent toe hold
- Pool fencing compliant
- Weight capacity of 25kg per pair





# Our range of general purpose latches




**D<sup>®</sup> LOKKLatch<sup>®</sup> DELUXE**

**Lokk Latch<sup>®</sup> deluxe**  
KEYED ALIKE  
Order Code: LL-DL-KA  
D&D Code: LLDABS2LA




**D<sup>®</sup> LOKKLatch<sup>®</sup> DELUXE**

**Lokk Latch<sup>®</sup> deluxe**  
KEYED TO DIFFER  
Order Code: LL-DL  
D&D Code: LLDABS2-L




**D<sup>®</sup> LOKKLatch<sup>®</sup>**

**Lokk Latch<sup>®</sup>**  
KEYED TO DIFFER  
Order Code: LLAA  
D&D Code: LLAA



**D<sup>®</sup> LOKKLatch<sup>®</sup>**

**Lokk Latch<sup>®</sup> external  
access kit**  
KEYED TO DIFFER  
Order Code: LLB  
D&D Code: LLB




**D<sup>®</sup> MAGNALatch<sup>®</sup>**

**Top pull lockable latch**  
Order Code: ML-TL  
D&D Code: ML3TPLA



**D<sup>®</sup> D&D Technologies  
Hi-Performance Hardware**

**Face mount  
lockable latch**  
Order Code: MR-FMLS  
D&D Code: MLSP52L



**D<sup>®</sup> D&D Technologies  
Hi-Performance Hardware**

**T latch**  
Order Code: T-L  
D&D Code: TL01



**D latch**  
Order Code: SS-DL-B



# GATE LATCHES

15-40mm  
gap spacing

KEYED ALIKE



Not pool fencing compliant

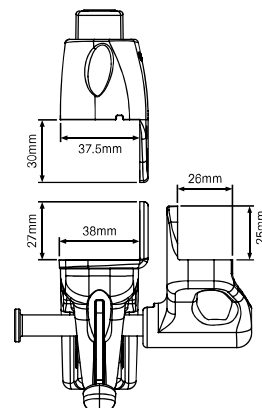
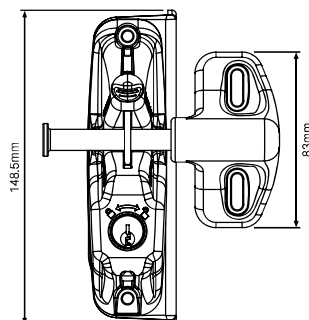
**LOKKLatch® DELUXE**

**Lokk Latch® deluxe**

Order Code: LL-DL-KA (Single)

D&D code: LLDABS2LA

- Lockable from both sides of gate
- Locks are keyed alike
- Re-keyable, 6-pin security lock
- Fits up to 150mm deep posts
- Black polymer



15-40mm  
gap spacing

KEYED TO DIFFER



Not pool fencing compliant

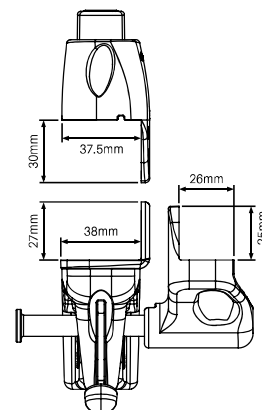
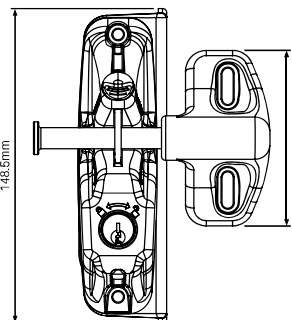
**LOKKLatch® DELUXE**

**Lokk Latch® deluxe**

Order Code: LL-DL (Single)

D&D code: LLDABS2-L

- Lockable from both sides of gate
- Locks are keyed to differ
- Re-keyable, 6-pin security lock
- Fits up to 150mm deep posts
- Black polymer



15-40mm  
gap spacing

KEYED TO DIFFER



Not pool fencing compliant

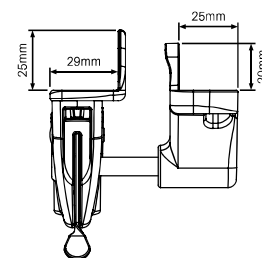
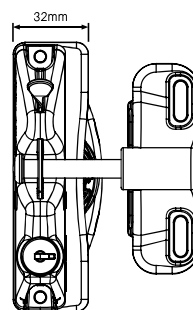
**LOKKLatch®**

**Lokk Latch®**

Order Code: LLAA (Single)

D&D code: LLAA

- Ideal latch for home and garden gates
- Key lockable – no need for padlocks or chains
- Fit with or without External Access Kit (LLB)
- Quick and easy to install on all gate materials
- Strong polymer design will not rust or stain
- Minimum post size for fitting – 25mm



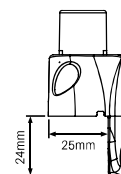
**LOKKLatch®**

**Lokk Latch® external access kit**

Order Code: LLB (Single)

D&D code: LLB

- Optional extra external access kit
- Matches with LLAA
- Allows opening of LLAA from other side of gate
- NOTE: locking external access button does not lock the main latch





# GATE LATCHES

13-38mm  
gap spacing



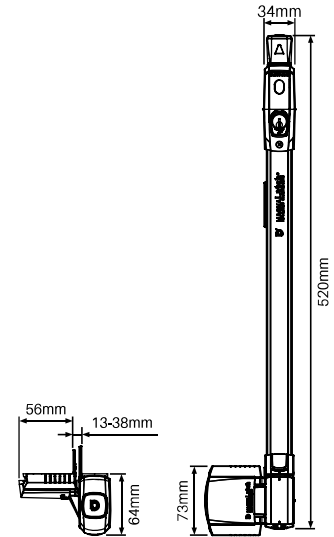
## MAGNALatch®

### Top pull lockable latch

Order Code: **ML-TL (Single)**

D&D code: ML3TPLA

- Magnetically triggered lockable latch
- Improved stylish "Series 3" design
- Adjusts horizontally and vertically
- Includes adjustable striker plate
- D&D Limited lifetime warranty
- Quick and easy installation
- Tested to over 400,000 cycles



8-10mm  
gap spacing



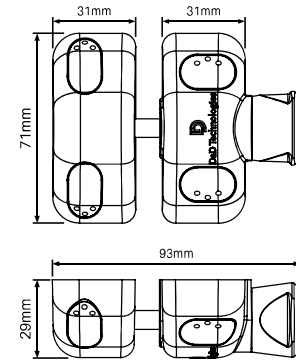
## D&D Technologies Hi-Performance Hardware

### Face mount lockable latch

Order Code: **MR-FMLS (Single)**

D&D code: MLSP52L

- Suits retrofitting to previously fitted standard side pull latch installations
- Key lockable
- Adjusts horizontally and vertically
- Limited lifetime warranty
- Black polymer



10-45mm  
gap spacing



\*Padlock not included

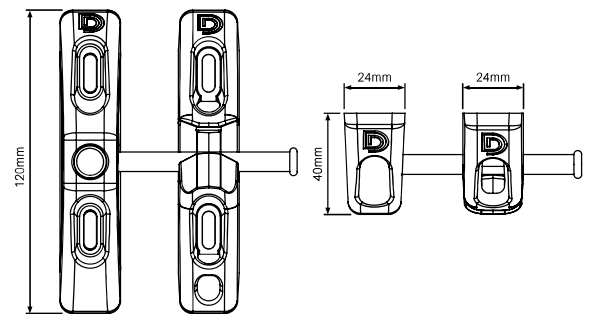
## D&D Technologies Hi-Performance Hardware

### T latch

Order Code: **T-L (Single)**

D&D code: TL01

- Padlockable toggle latch
- Lockable from one side only



Not pool fencing compliant

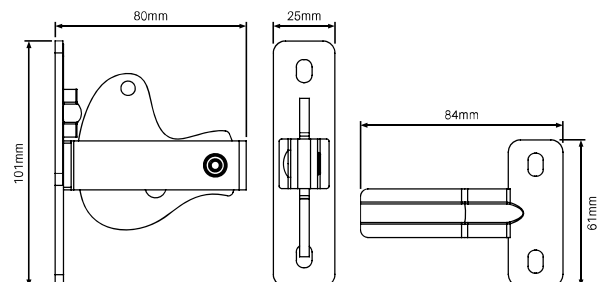
10-35mm  
gap spacing



### D latch

Order Code: **SS-DL-B**

- Easy to install D latch and striker
- Includes 4x tek screws
- Cost effective latching solution



Not pool fencing compliant





# GATE LATCH & HINGE KITS



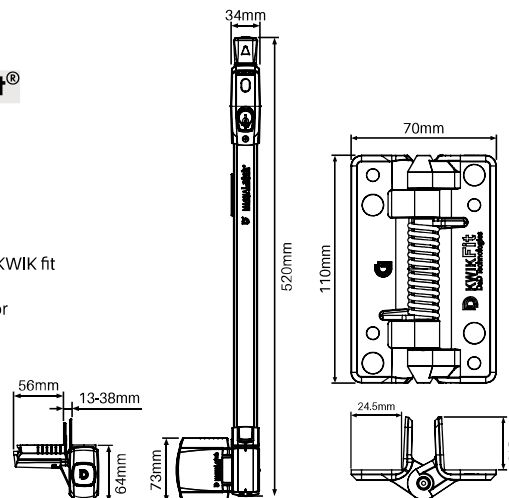
## Magna Latch® with Kwik Fit® hinge pair

FIXED TENSION

Order Code: **ML-TL-KF-H-FT (Single)**

D&D code: ML3KFSK

- Kit includes D&D top pull Magna latch and 2x KWIK fit hinges (KF3S model)
- Self closing fixed tension hinges (20mm gap for hinges)
- Pool fencing compliant - Rated for gates up to 20kg
- Magnetically triggered lockable latch



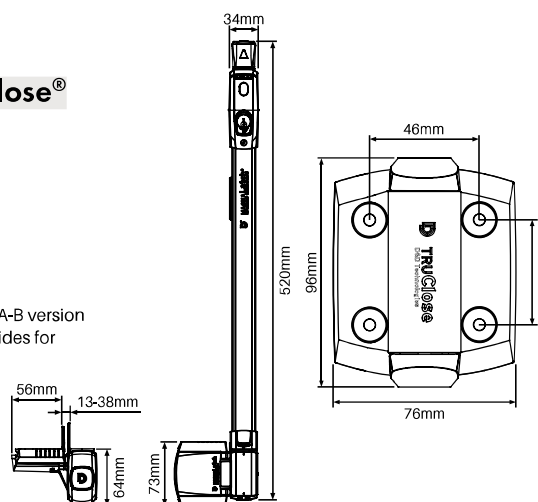
## Magna Latch® with Tru Close® hinge pair

ADJUSTABLE TENSION

Order Code: **ML-TL-TC-H-AT (Single)**

D&D code: MTSTDKS3LA

- Kit includes D&D top pull Magna latch and 2x TRU close hinges
- Patented tension adjustable hinges (TC-H-A-B version hinges - no alignment legs on hinges provides for flexible installation)
- Pool fencing compliant - Rated to 25kg self close
- Magnetically triggered lockable latch



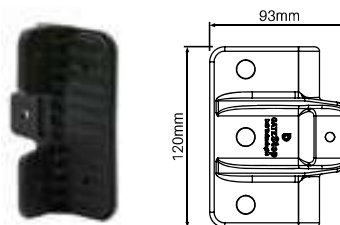
## D&D Gate handle

Black polymer finish

Order Code: **LL-GH (Single)**

D&D code: LL3GH

- Side-fixing legs for quick alignment
- Fits left-hand or right-hand opening gates
- Won't rust or stain: strong polymer construction



## D&D Gate stop

Black polymer finish

Order Code: **SS-GS (Single)**

D&D code: TCGS3

- Ideal gate alignment device
- Prevents damage to latches & hinges
- Greatly reduces gate-slam noise
- Tough, durable polymer + rubber bumper

# Our range of white

GENUINE D&D WHITE HARDWARE

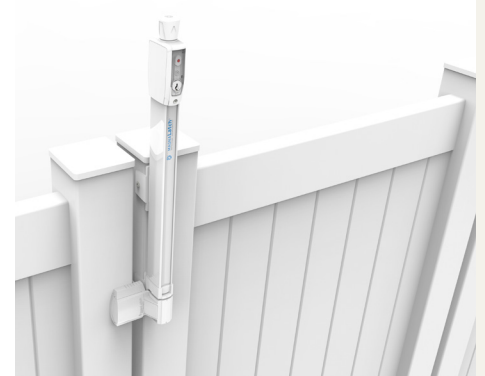
## **D**® MAGNALatch®

### MagnaLatch® S3

THE ORIGINAL SAFETY GATE LATCH

Order Code: **ML-TL-W**

- Improved, stylish "Series 3" design
  - Industry leading magnetic technology
  - Locked/Unlocked visual indicator
  - New, higher-security lock cylinder
  - Vertically and horizontally adjustable
  - Adjustment indicator marks
  - Meets all AU and NZ safety standards
- ML3TPKAWT**



## **D**® TRUClose®

### TruClose® Regular

ADJUSTABLE, SELF CLOSING HINGES

Order Code: **TC-H-AT-2L-W**

- Self-closes gates up to **30kg**
  - For pool and safety gates
  - Quick and easy to install
  - Simple, adjustable tension
  - Super-strong polymer
  - Stainless steel closing spring
- TCA1S3WT**



## **D**® TRUClose® HEAVY DUTY

### TruClose® Heavy-duty

HEAVY-DUTY SELF CLOSING HINGES

Order Code: **TC-H-AT-HD-2L-W**

- Self-closes gates up to **70kg**
  - For pool and safety gates
  - Quick and easy to install
  - Simple, adjustable tension
  - Super-strong polymer
  - Stainless steel closing spring
- TCHD1A33WT**



## **D**® KWIKFit® ALUMINIUM

### KwikFit® Aluminium

TRADITIONAL SELF-CLOSING HINGES

Order Code: **KF-AH-AT-W**

- Self-closes gates up to **20kg**
  - Aluminium, powder-coated finish
  - Internal stainless steel spring
  - Wall and post-mount models
  - Patented tension adjustment
  - Right or left handed installation
  - Low-friction polymer washer
- KF3L2WT**



## **D**® LOKKLatch®

### LokkLatch® Regular

GENERAL-PURPOSE GATE LATCH

Order Code: **LLAA-W**

- Ideal for home & garden gates
  - Key lockable convenience
  - Quick and easy to install
  - Strong polymer design
  - Stainless steel components
  - Adjust vertically & horizontally
- LLAAW**



## **D**® LOKKLatch® DELUXE

### LokkLatch® Deluxe

PRIVACY & SECURITY LATCH

Order Code: **LL-DL-W**

- Operates & locks from both sides
  - Easy to install & adjust
  - Keyed different
  - Fits posts up to 150mm deep
  - Super-strong polymer housings
  - Stainless steel components
  - Adjust vertically & horizontally
- LLDABW-K**



## **D**® TRUClose® HEAVY DUTY

## **D**® LOKKLatch® DELUXE

### Gate Kit

LOKKLATCH® DELUXE +

TRUCLOSE® HEAVY-DUTY HINGES

Order Code: **LLDL-TCHD-W**

- Convenient gate kit
  - LokkLatch® keyed alike
  - Pair of TruClose HD hinges
  - Self-closes gates up to **70kg**
  - Patented tension adjustment
- LLDABKTCHD1AL2W**