



The Polaris Soft Close Hinge is a state-of-the-art product unrivaled in design, style and safety

The Polaris soft close hinge is the safest and most reliable specially designed pool fence hinge in the industry that complies with the stringent Australian Standards AS1926 and AS 2820.

New and improved **125 series** hinge is now made with duplex SS2205 stainless steel

Improved design features including commercial rated adjustable tension spring (tempered SS304) with multiple spring closing settings (soft, medium & strong) and the highest quality European made dampeners for smooth, soft close action

Self closing hinge suitable for 10mm and 12mm thick glass gates

Revolutionary anti-drop gate packing system significantly lowers the chance of gates dropping or sagging over time

Easy installation process – install guide included in each box

Available in polish, satin or matt black finishes



POLARIS
SOFT CLOSE HINGE



2a

POLARIS SOFT CLOSE HINGES 125 SERIES



Glass to glass hinge set 125 SERIES

SS2205 – PAIR OF 2

Polish, satin or matt black finish

Order Code: PSC-125GG-P (Polish)

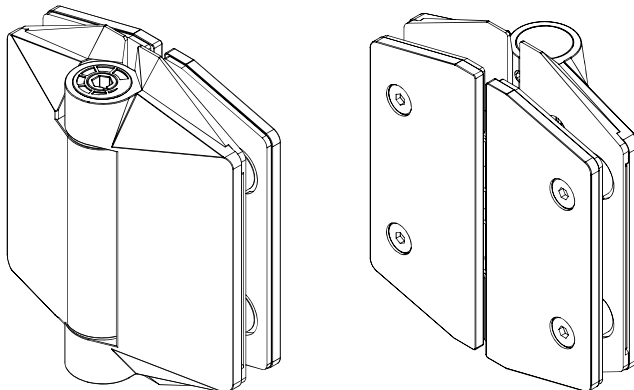
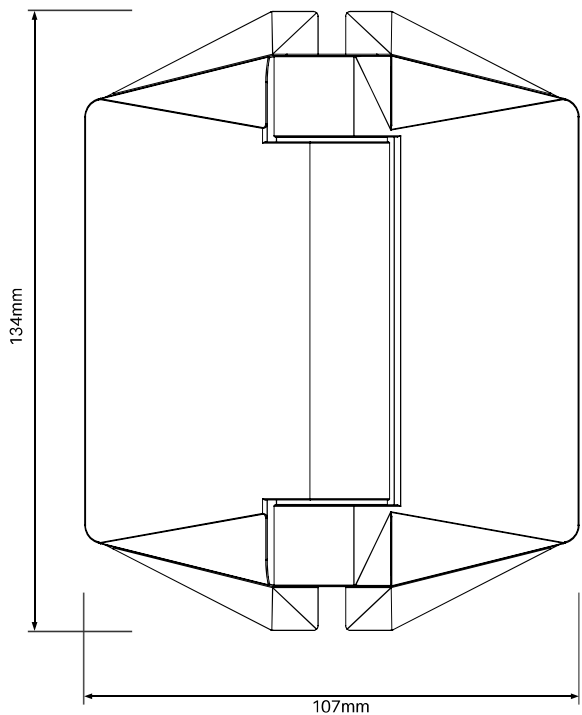
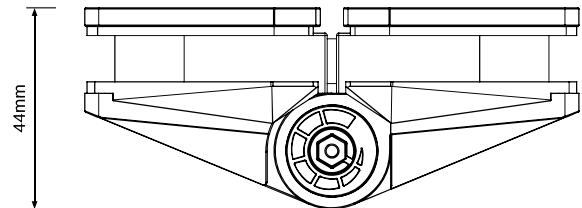
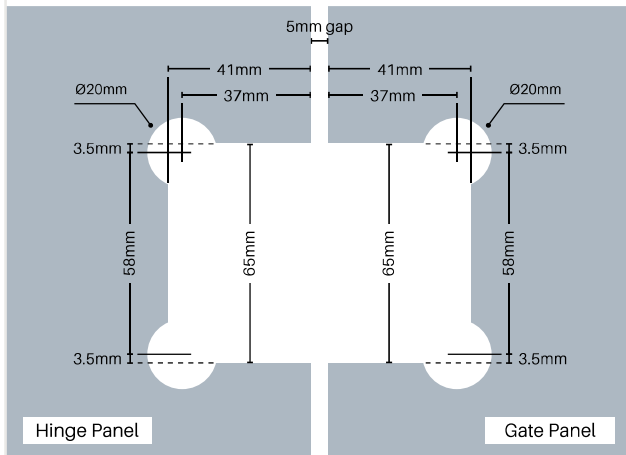
PSC-125GG-S (Satin)

PSC-125GG-B (Black)

- 2205 grade stainless steel
- Self closing pool fence compliant safety hinge
- Tested to cycle count Australian Standards requirements
- Adjustable closing speed with European dampeners providing a soft close action
- Cone cap incorporated on bottom hinge for anti-toe hold
- Suits 10 or 12mm thick glass gates (max 45kg)

Glass to glass hinge cut out specification

Glass cut outs at top & bottom of panels





2a

POLARIS SOFT CLOSE HINGES
125 SERIES



Glass to wall hinge set
125 SERIES

SS2205 – PAIR OF 2

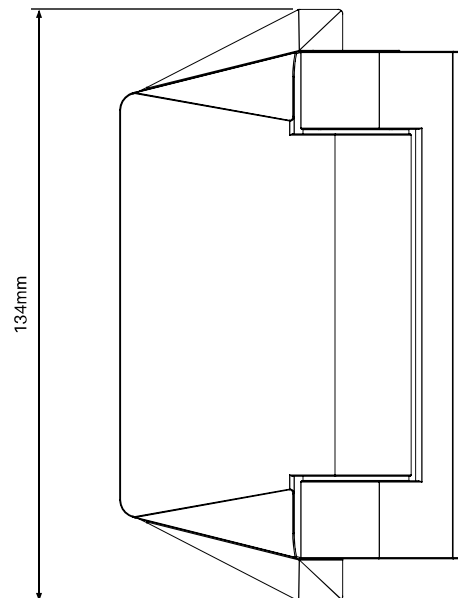
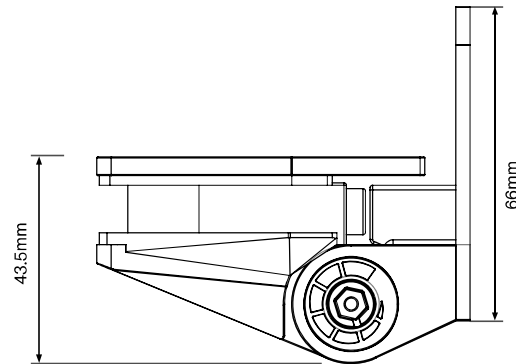
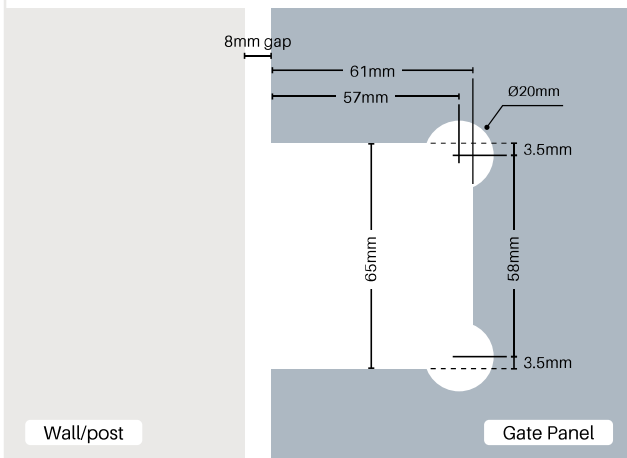
Polish, satin or matt black finish

Order Code: PSC-125W-P (Polish)
PSC-125W-S (Satin)
PSC-125W-B (Black)

- 2205 grade stainless steel
- 4x fixing holes to wall/post
- Self closing pool fence compliant safety hinge
- Tested to cycle count Australian Standards requirements
- Adjustable closing speed with European dampeners providing a soft close action
- Polymer cone cap supplied and can be fitted on bottom hinge for anti-toe hold
- Suits 10 or 12mm thick glass gates (max 45kg)
- Easy gate installation: firstly, fit hinges to gate and place gate in proposed position. Once in correct position, screw off to wall/post through 2 x outer holes. Then open the gate and screw off through 2 x inner holes.

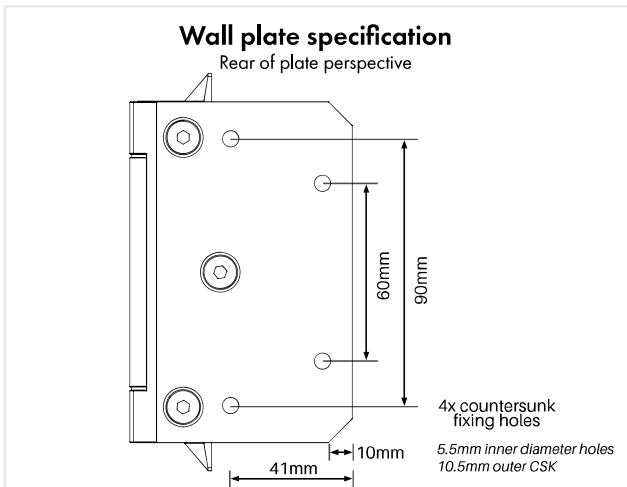
Glass to wall hinge cut out specification

Glass cut outs at top & bottom of gate



Wall plate specification

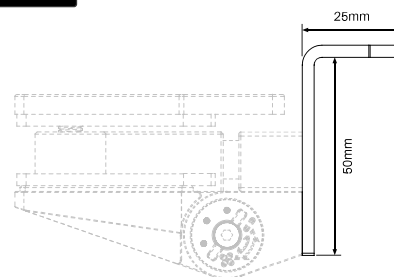
Rear of plate perspective





2a

POLARIS SOFT CLOSE HINGES 125 SERIES



Glass to square post backing plates 125 SERIES

SS2205 – PAIR OF 2

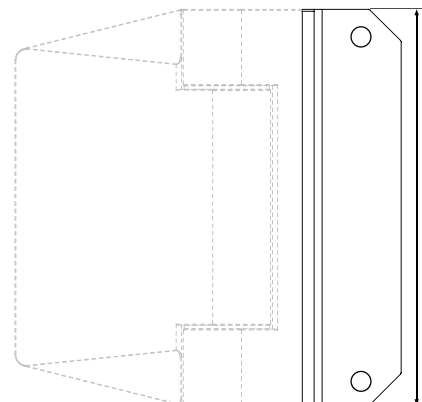
Polish, satin or matt black finish

Order Code: PSC-125PLATE-SP-P (Polish)

PSC-125PLATE-SP-S (Satin)

PSC-125PLATE-SP-B (Black)

- 2205 grade stainless steel
- Backing plate suits a 50mm square post
- 4 x 5mm diameter fixing holes to post:
2 x holes on 25mm wide return leg and 2 x holes on inner plate
- Install process – fit hinges to gate and position in place.
Screw to post via 2 x holes on 25mm return outer leg then open gate and fix off via 2 x inner holes



PSC-125W & PSC-125PLATE-SP shown above

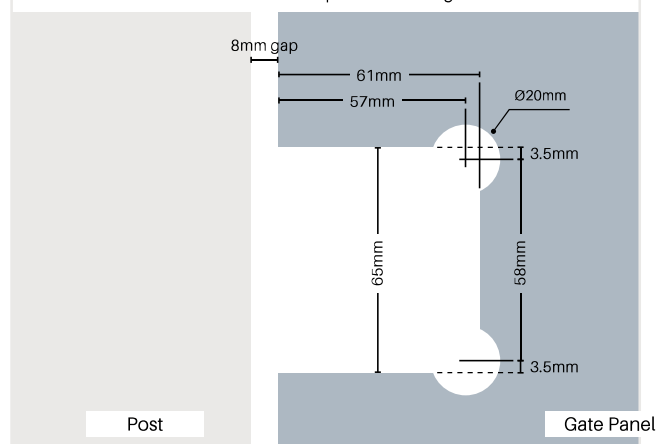


Backing plates are sold separately! You must purchase glass to wall hinges as well as the square or round post backing plates. Simply unscrew and remove the existing wall plates and replace with the square or round post backing plates.



Post hinge cut out specification

Glass cut outs at top & bottom of gate



Glass to round post backing plates 125 SERIES

SS2205 – PAIR OF 2

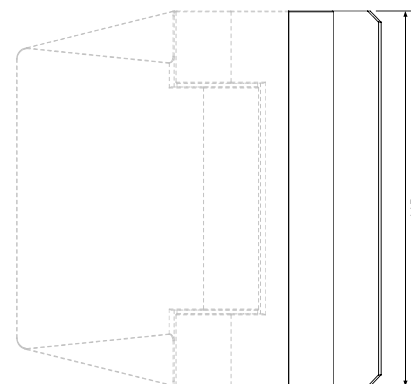
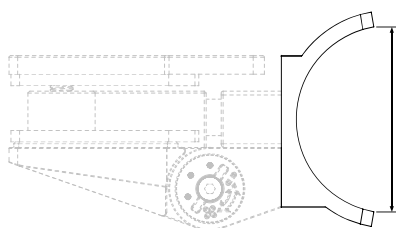
Polish, satin or matt black finish

Order Code: PSC-125PLATE-RP-P (Polish)

PSC-125PLATE-RP-S (Satin)

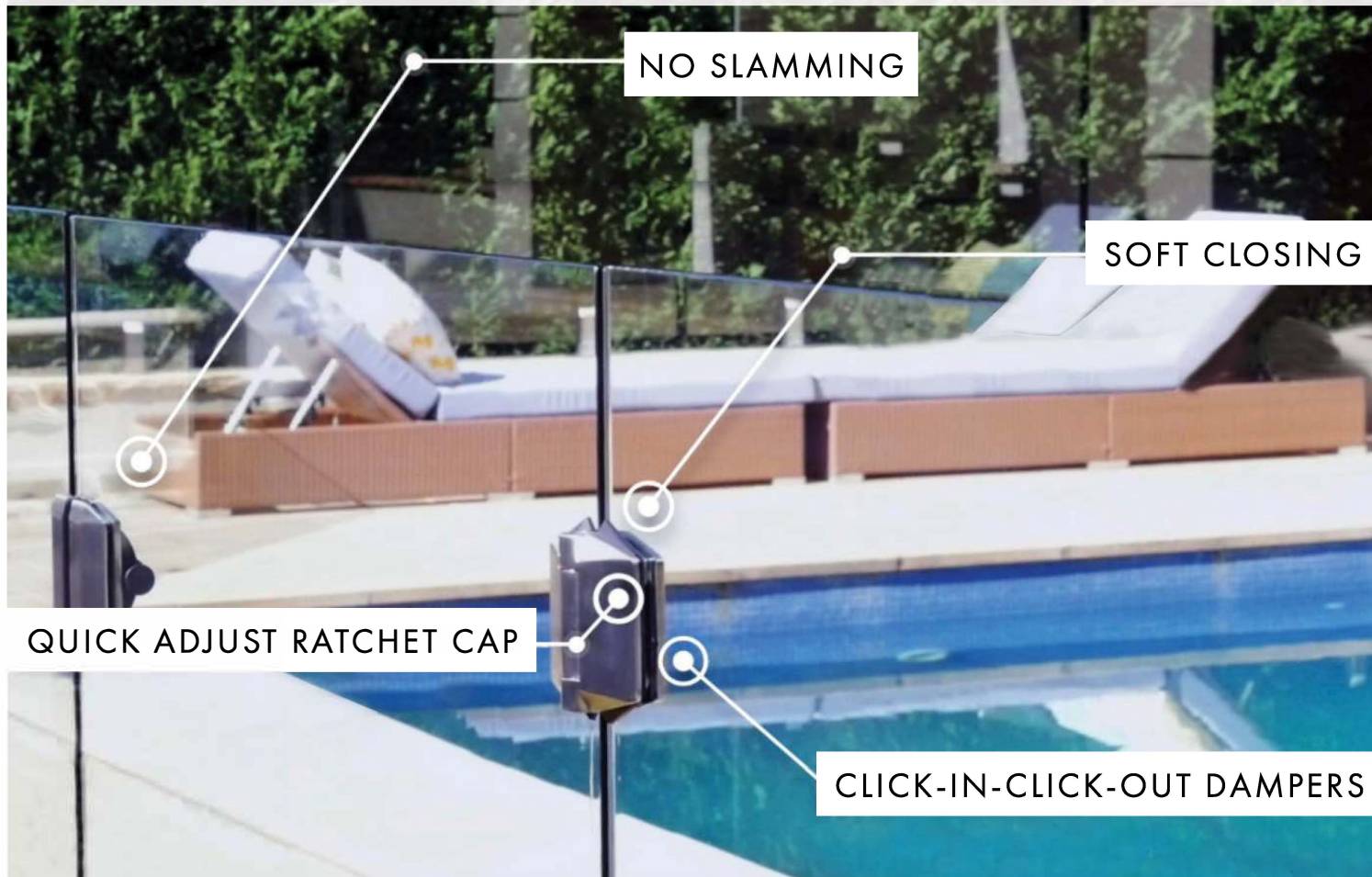
PSC-125PLATE-RP-B (Black)



- 2205 grade stainless steel
- Backing plate suits a Ø50mm round post
- 4 x fixing holes to post: 2 x holes on outer rounded plate and 2 x holes on inner flat hinge fixing plate
- Install process – fit hinges to gate and position in place. Screw to post via 2 x outer fixing holes then open gate and fix off via 2 x inner fixing holes

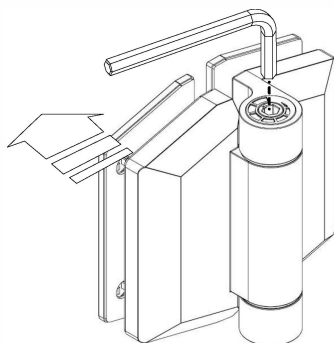


PSC-125W & PSC-125PLATE-RP shown above

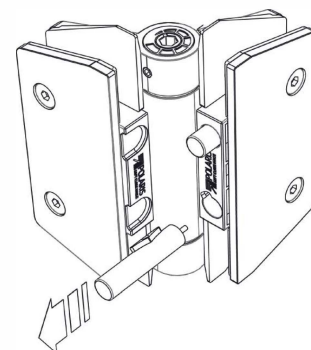
Introducing the new Polaris 155 series.
Premium soft close hinge for 8mm/10mm glass gates.

**FEATURES**

-  ELIMINATES SLAMMING GLASS GATES
-  RETROFIT DIRECTLY ONTO EXISTING 8MM OR 10MM GLASS GATES. ALSO IDEAL FOR NEW INSTALLS.
-  QUICK-ADJUST RATCHET CAP FOR SIMPLE SPRING TENSION ADJUSTMENT
-  SUITS GLASS OUTLET'S MASTER RANGE GLASS HINGE & GATE PANELS



QUICK-ADJUST RATCHET CAP



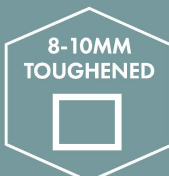
'CLICK-IN-CLICK-OUT' VARIABLE STRENGTH BUFFERS



IN STOCK



WIDTH/HEIGHT



MAX GATE



MAX GATE WEIGHT



OPERATING TEMPERATURE



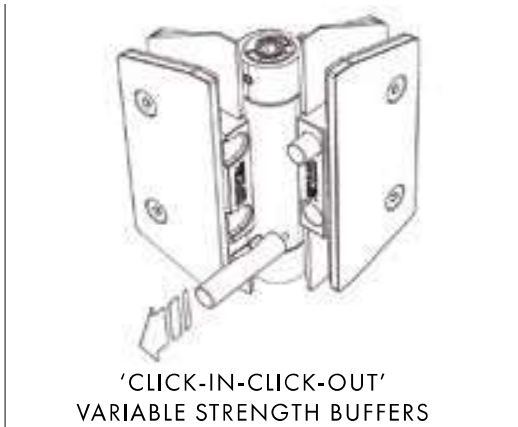
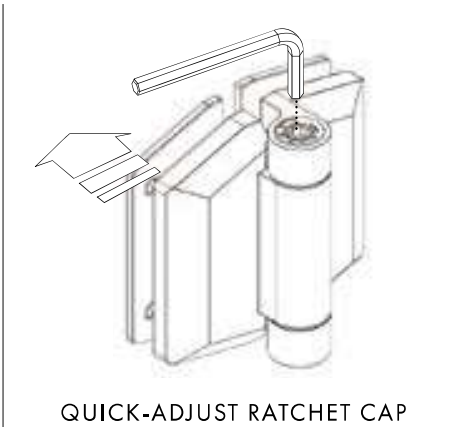
FUNCTION



2a POLARIS SOFT CLOSE HINGES 155 SERIES

FEATURES

- ELIMINATES SLAMMING GLASS GATES
- RETROFIT DIRECTLY ONTO EXISTING 8MM OR 10MM GLASS GATES. ALSO IDEAL FOR NEW INSTALLS.
- QUICK-ADJUST RATCHET CAP FOR SIMPLE SPRING TENSION ADJUSTMENT
- SUITS THE MASTER RANGE GLASS HINGE & GATE PANELS



12MM GLASS HINGE PANELS	MAX 900MM WIDE x 1500MM HIGH	8-10MM TOUGHENED	MAX MAX 45kgs	-10°C +50°C	SOFT CLOSING SELF CLOSING 90°C SINGLE ACTION
IN STOCK	WIDTH/HEIGHT	MAX GATE	MAX GATE WEIGHT	OPERATING TEMPERATURE	FUNCTION



Glass to glass hinge set 155 SERIES

SS2205 – PAIR OF 2

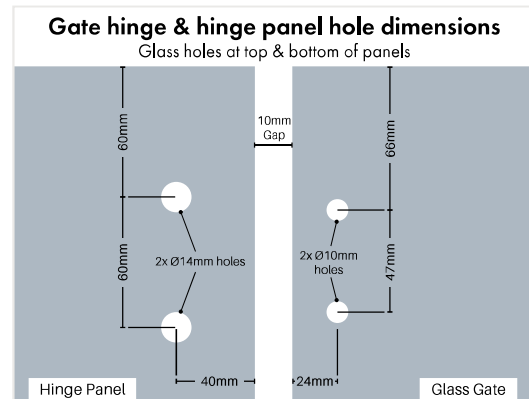
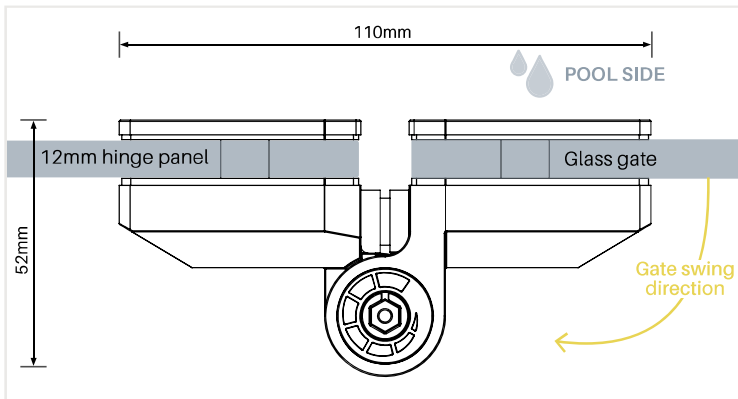
Polish, satin or matt black finish

Order Code: PSC-S155GG-P (Polish)

PSC-S155GG-S (Satin)

PSC-S155GG-B (Black)

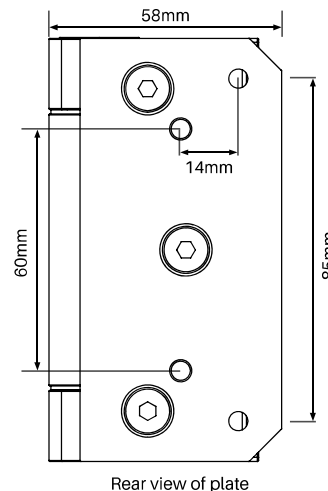
- 2205 grade stainless steel
- Self closing pool fencing complete glass to glass hinge
- Tested to cycle count required by Australian Standards
- Spring tension adjustable via simple ratchet cap
- Suits 8 & 10mm thick glass gates. Suits the Master Range glass gates





2a

POLARIS SOFT CLOSE HINGES 155 SERIES



Glass to wall/post hinge set 125 SERIES

SS2205 – PAIR OF 2

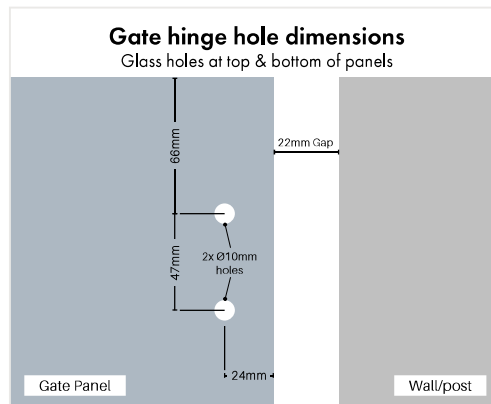
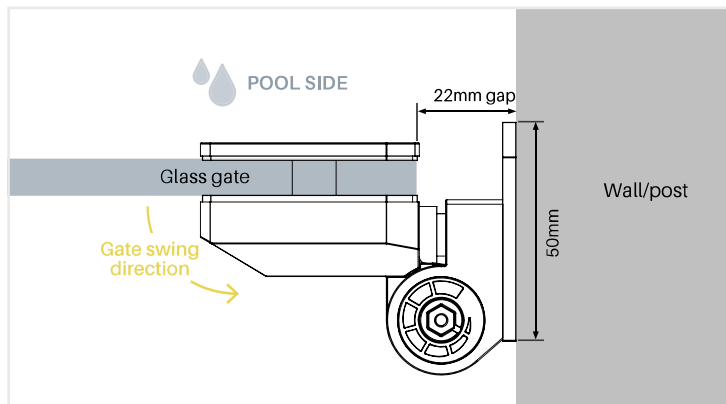
Polish, satin or matt black finish

Order Code: PSC-S155W-P (Polish)

PSC-S155W-S (Satin)

PSC-S155W-B (Black)

- 2205 grade stainless steel
- Self closing pool fencing complete glass to glass hinge
- Tested to cycle count required by Australian Standards
- Spring tension adjustable via simple ratchet cap
- 4 x fixing holes to post/wall
- Suits 8 & 10mm thick glass gates.



Glass gate to round post 155 SERIES

SS2205 – PAIR OF 2

Order Code: PSC-S155-RP-P (Polish)

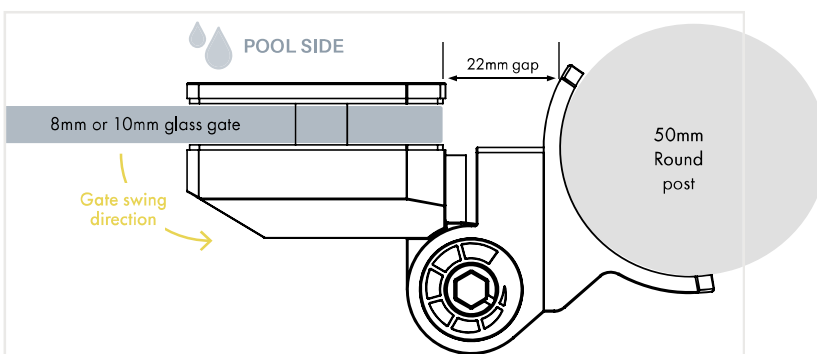
PSC-S155-RP-S (Satin)

PSC-S155-RP-B (Black)

- 2205 grade stainless steel
- Self closing pool fencing complete glass to glass hinge
- Tested to cycle count required by Australian Standards
- Spring tension adjustable via simple ratchet cap
- 4 x fixing holes to 50mm round post
- Suits 8 & 10mm thick glass gates.



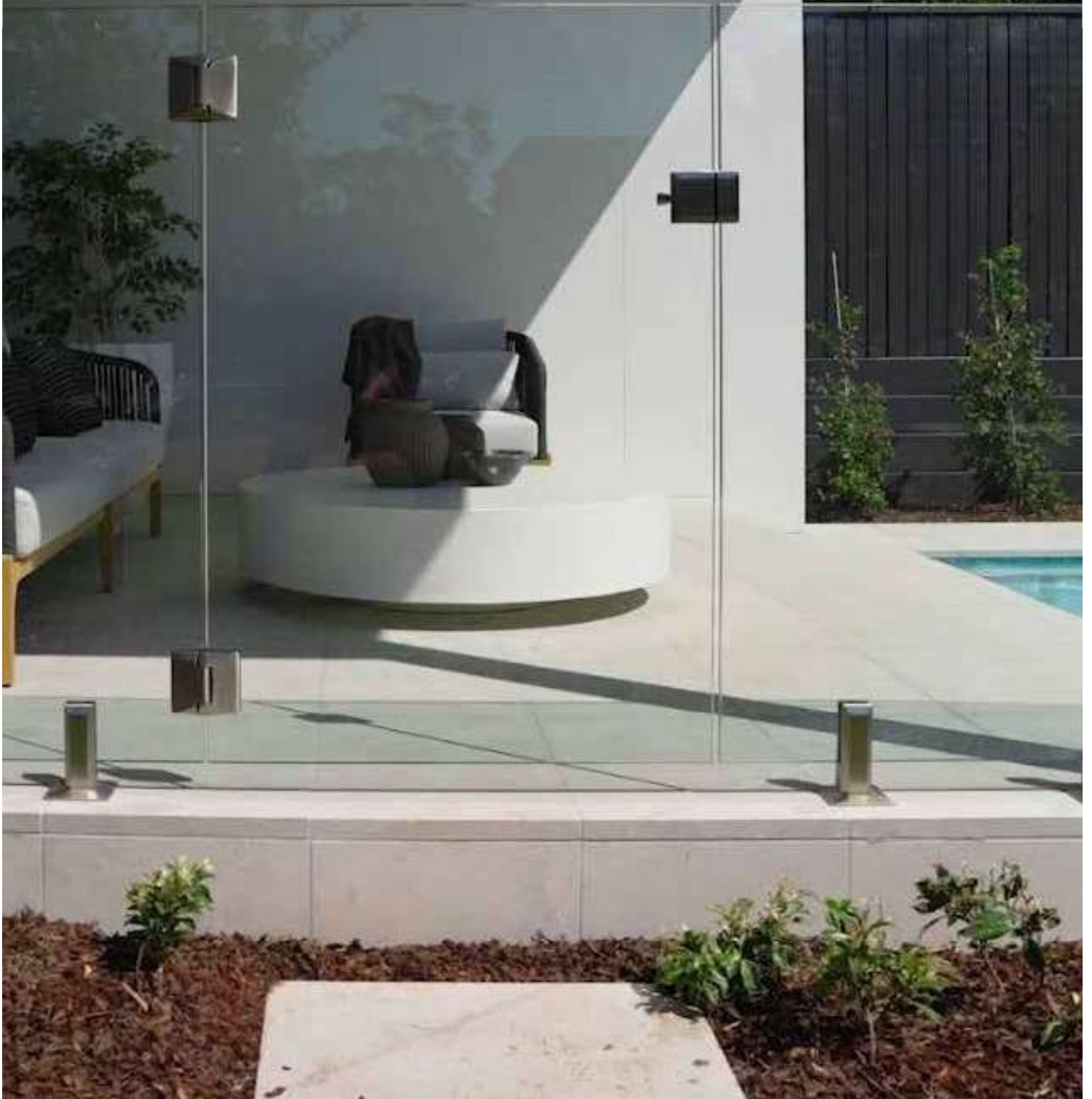
AVAILABLE
IN POLISH,
SATIN OR
MATT BLACK
FINISH





ATLANTIC

SOFT CLOSE HINGE





2a

ATLANTIC SOFT CLOSE HINGES 530 SERIES

Glass to glass hinge set 530 SERIES

SS2205 – PAIR OF 2

Polish, satin, matt black or matt white finish

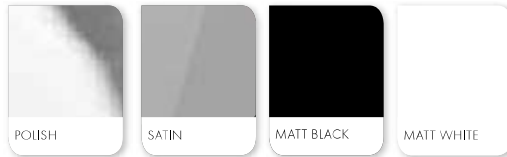
Order Code: AH-530G-P (Polish)

AH-530G-S (Satin)

AH-530G-B (Black)

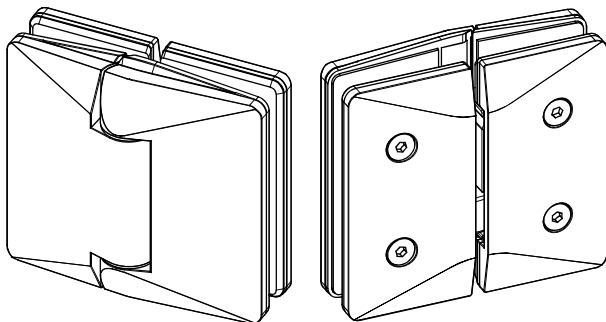
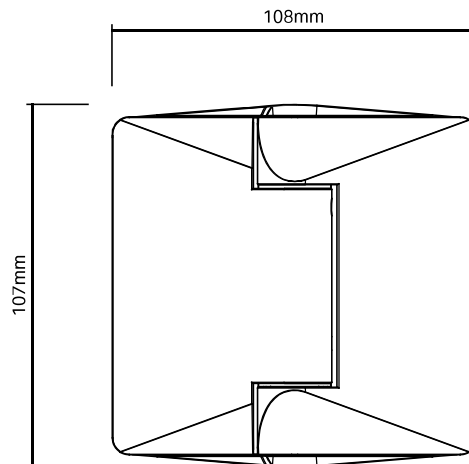
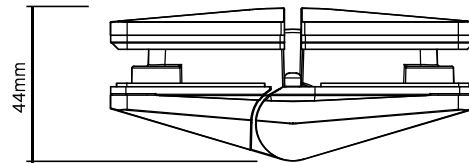
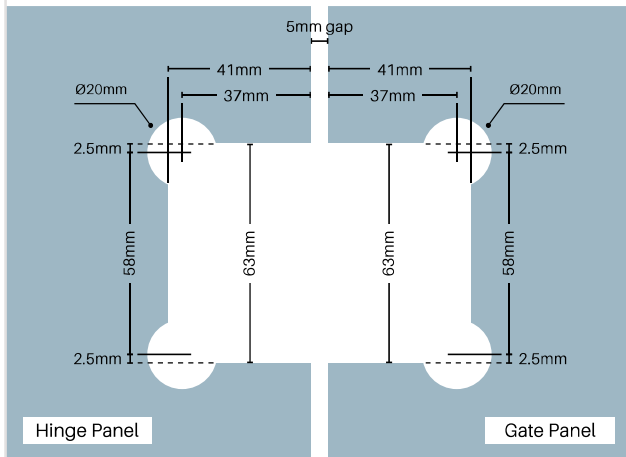
AH-530G-W (White)

- 2205 grade stainless steel
- Pool compliant self-closing glass to glass hinge
- Modern minimalist design including anti-toe hold
- Fast install : no need to remove backing plates
- Strong clamping force of plates to glass
- Premium soft close hinge
- Suits 10 & 12mm thickness glass : max weight 70kg



Glass to glass hinge cut out specification

Glass cut outs at top & bottom of panels





2a

ATLANTIC SOFT CLOSE HINGES 530 SERIES



Glass to wall hinge set 530 SERIES

SS2205 – PAIR OF 2

Polish, satin, matt black or matt white finish

Order Code: AH-530W-P (Polish)

AH-530W-S (Satin)

AH-530W-B (Black)

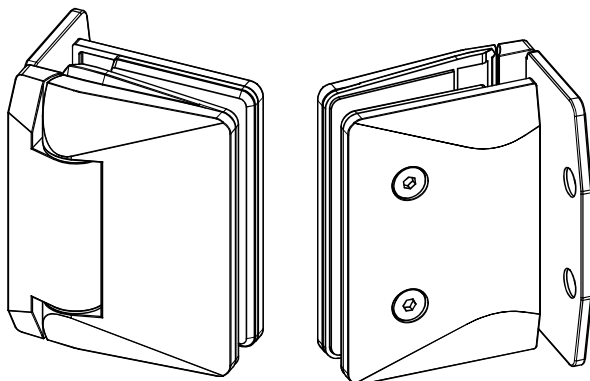
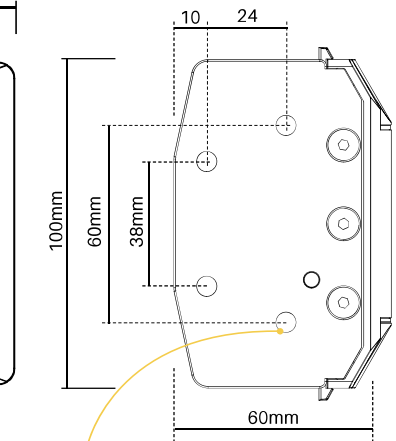
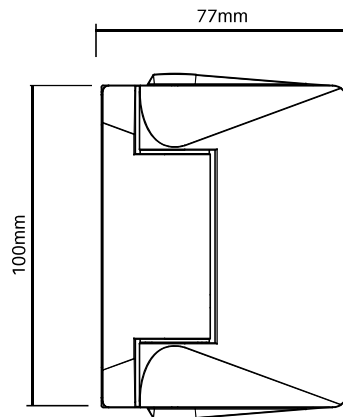
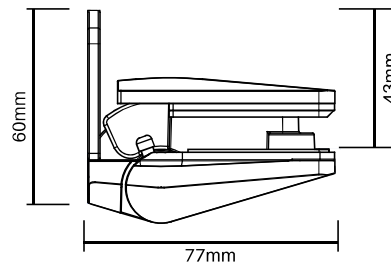
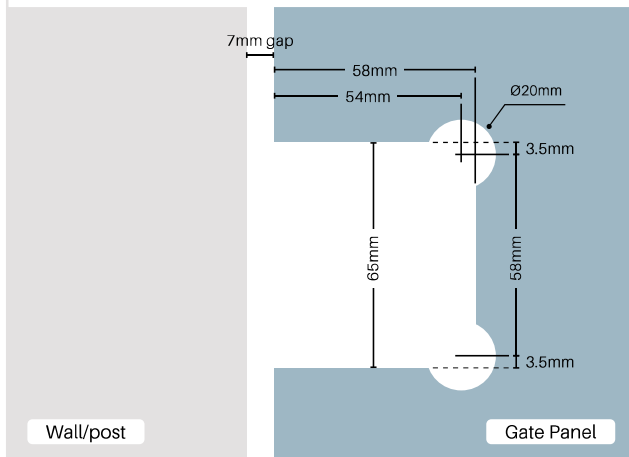
AH-530W-W (White)

- 2205 grade stainless steel
- Pool compliant self-closing wall to glass gate hinge
- 4 x fixings holes to wall/post
- Modern minimalist design including anti-toe hold
- Fast install : no need to remove backing plates
- Strong clamping force of plates to glass
- Premium soft close hinge
- Suits 10 & 12mm thickness glass : max weight 70kg



Glass to wall or post hinge cut out specification

Glass cut outs at top & bottom of gate





2a

ATLANTIC SOFT CLOSE HINGES 530 SERIES



Glass to square post backing plates 530 SERIES

SS2205 – PAIR OF 2

Polish, satin, matt black or matt white finish

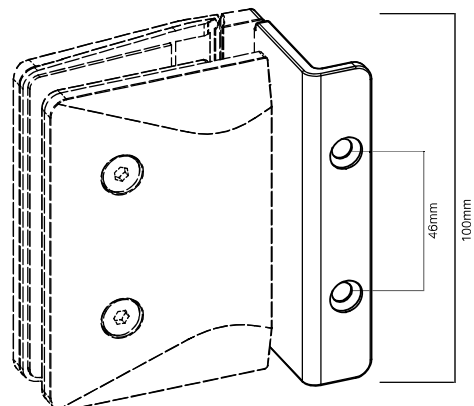
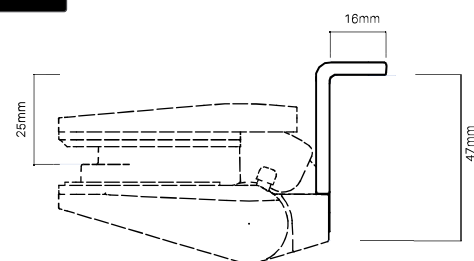
Order Code: AH-530SPB-P (Polish)

AH-530SPB-S (Satin)

AH-530SPB-B (Black)

AH-530SPB-W (White)

- 2205 grade stainless steel
- Backing plate suits a 50mm square post
- 4 x 6mm diameter fixing holes to post:
2 x holes on 16mm wide return leg and 2 x holes on inner plate
- Install process – fit hinges to gate and position in place. Screw to post via 2 x holes on 16mm return outer leg then open gate and fix off via 2 x inner holes



AH-530W & AH-530SPB shown above



Backing plates are sold separately! You must purchase glass to wall hinges as well as the square post backing plates. Simply unscrew and remove the existing wall plates and replace with the square post backing plates.

